

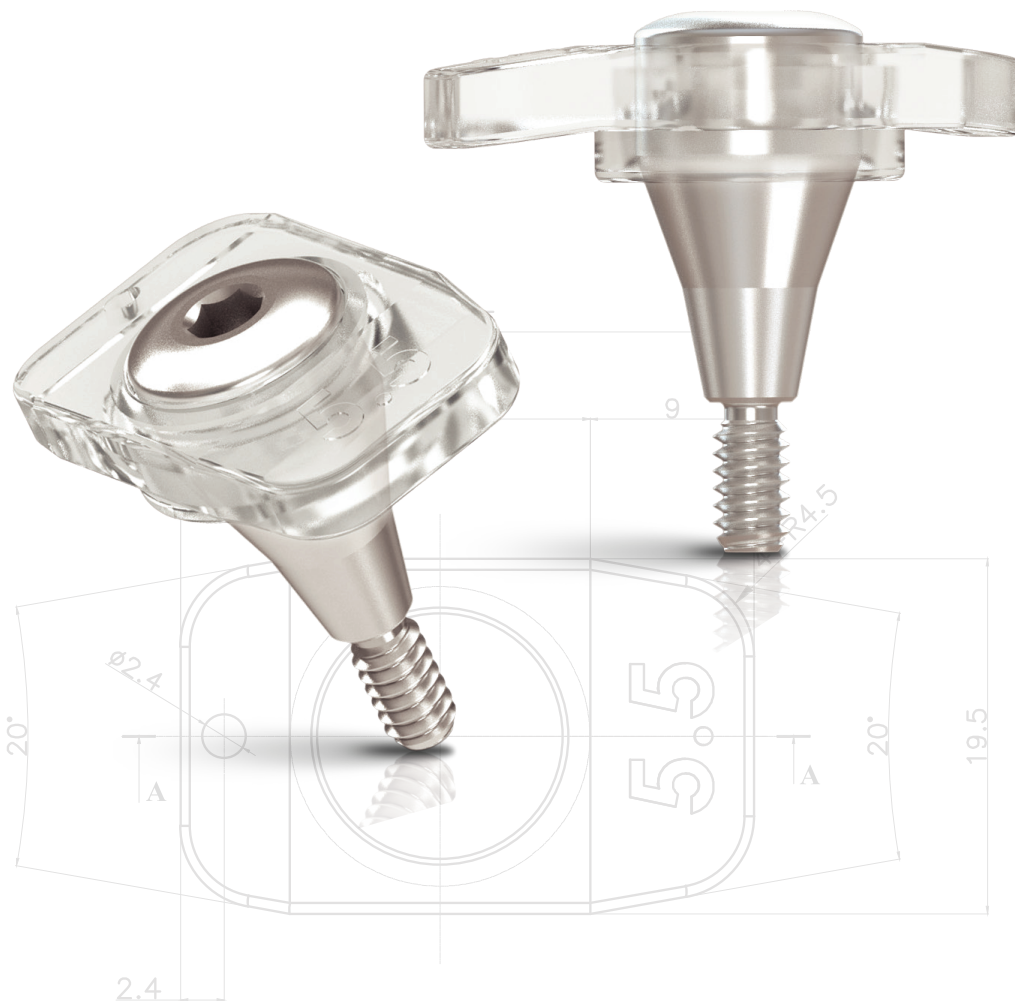
Louis Button II

Attached Gingiva Protector



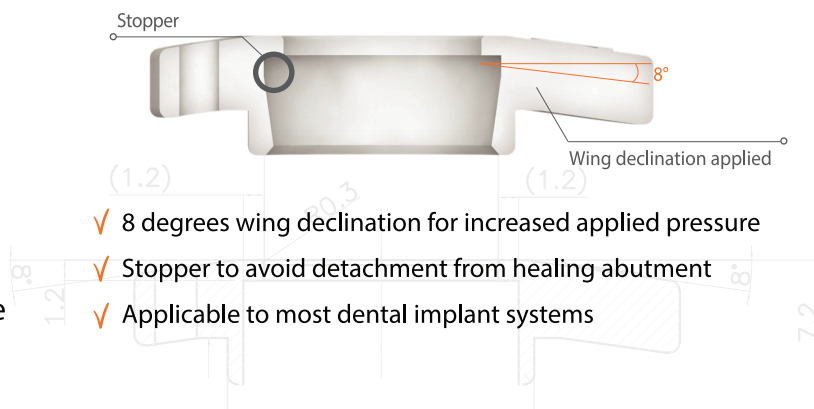
Predictable Shape of Attached Gingiva!

Louis Button II



Benefits

- Increased Volume of Attached Gingiva
- Reduce Time for Repetitive Suture
- Simple Procedure
- Predictable Result of Tissue Formation
- Reduce Tissue Loss with Applied Pressure



- ✓ 8 degrees wing declination for increased applied pressure
- ✓ Stopper to avoid detachment from healing abutment
- ✓ Applicable to most dental implant systems

Louis Button II (VS) Suture

Louis Button II	Suture
High pressure applied on incision site	Minimum pressure applied on incision site
Minimal gingiva loss	Tissue loss
Quick and simple application	Difficult access and suturing
Reduced operation time	Increased operation time
Increased tissue volume	Difficult to secure volume of attached gingiva
Applicable on thin tissue	Difficult with thin tissue



1Box = 10EA

Helpful Tips

- Place implant at subcrestal position (0.5mm deep)
- Initial stability of dental implant required for possible immediate loading
- Avoid application with heavy smoker or patients prone to infection
- Avoid application in aesthetic regions
- Products are disposable



You can watch the video on [Youtube](#)

Components

Product	Secification
DLB2T40	Ø 4.0
DLB2T45	Ø 4.5
DLB2T50	Ø 5.0
DLB2T55	Ø 5.5
DLB2T60	Ø 6.0
DLB2T65	Ø 6.5
DLB2T75	Ø 7.5



6 Centerpointe Dr. Ste 600, La Palma, CA 90623
Tel. 323-677-4363 | Fax. 323-677-4366 | www.dentisusa.com

Copyright © DENTIS Co., LTD. All Right Reserved. Specifications are subject to change without notice.
Trademarks are the property of DENTIS Co., LTD. or their respective owners.

D-R-LB-V4-201604-ENG

