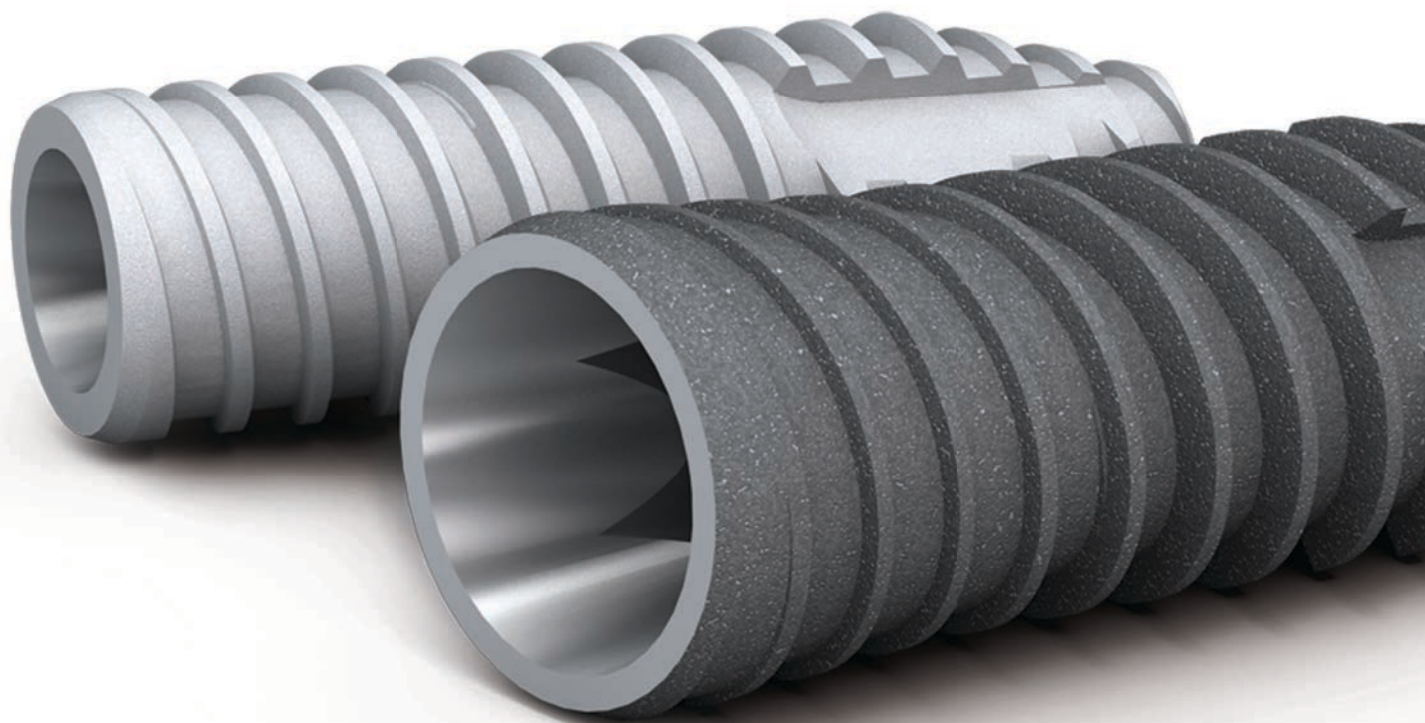


One System for All  
Implant Indications

**OneQ-SL**



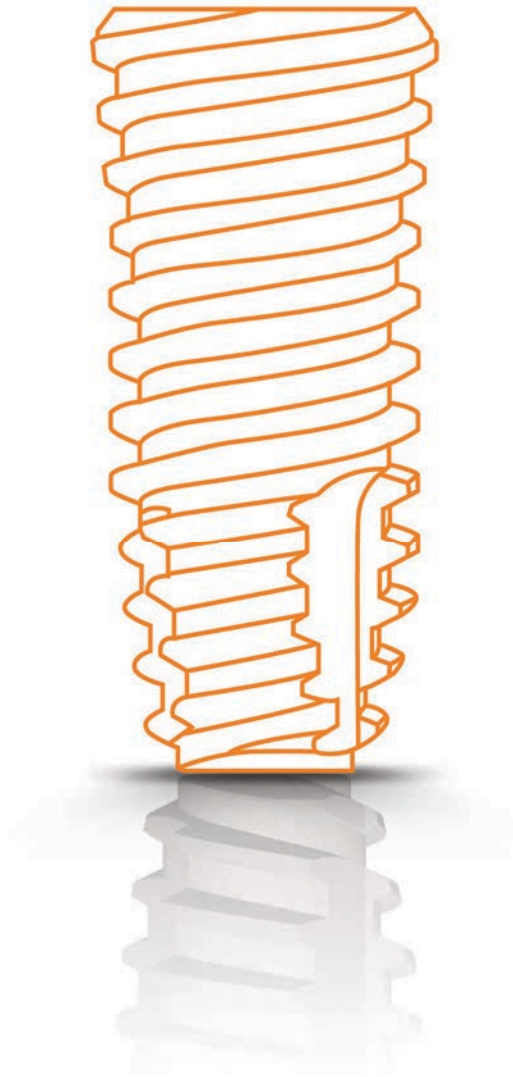
# Content

---

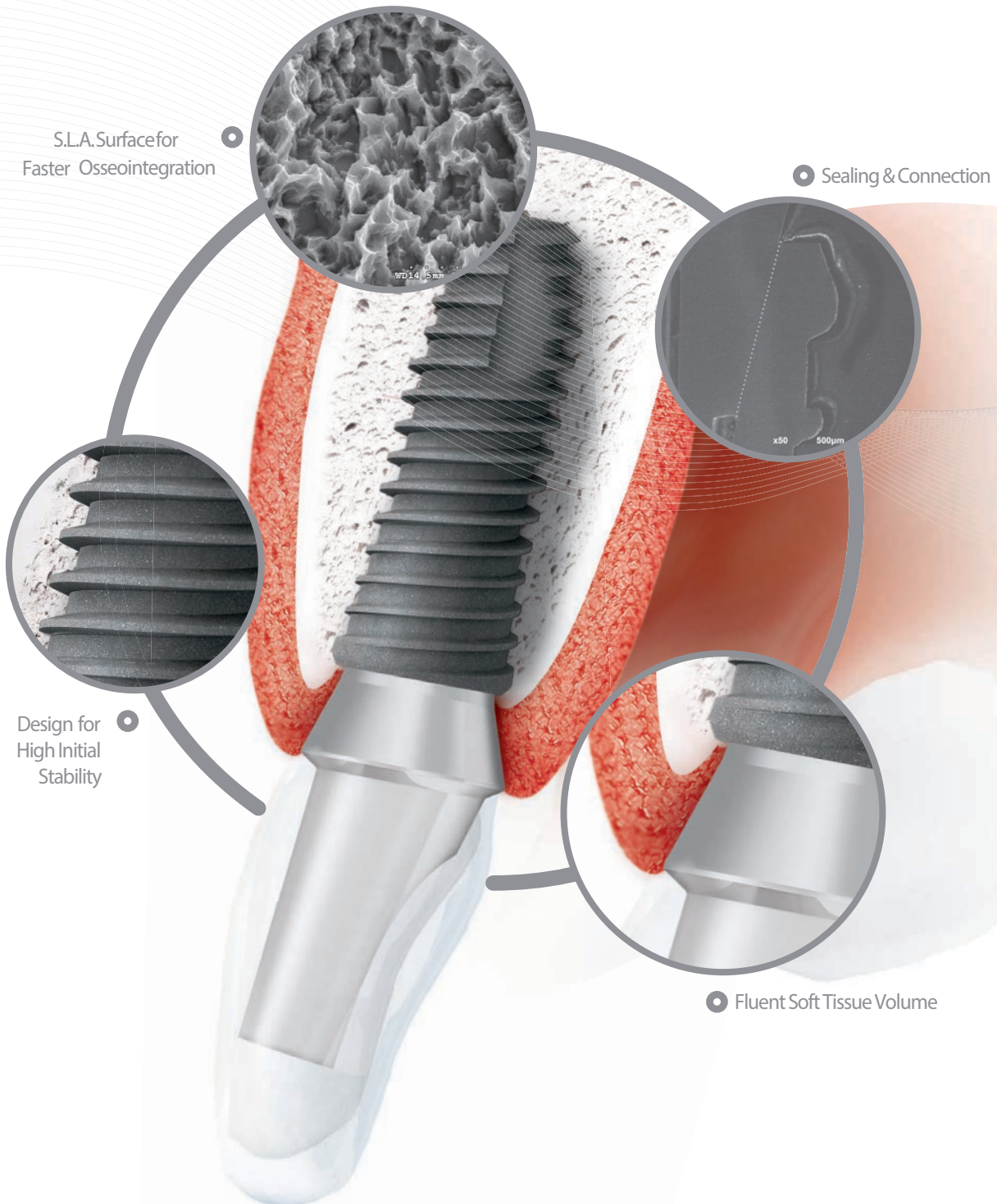
2p	Content
4p	OneQ-SL implant System for all indications
6p	OneQ-SL Narrow(sizeØ3.0,Ø3.3)
8p	OneQ-SL Regular(sizeØ3.7,Ø4.2,Ø4.7,Ø5.2)
10p	OneQ-SL Wide(sizeØ6.0,Ø7.0,Ø8.0)
12p	OneQ-SL Fixture Line Up
15p	Cover Screw & Healing Abutment
18p	Prosthetic Flow Diagrams for OneQ Sole System
24p	Prosthetic Flow Diagrams for OneQ Couple System
40p	Prosthetic Flow Diagrams for OneQ Sub Octa System
42p	Prosthetic Flow Diagrams for OneQ Overdenture System
44p	Simple Implant System
46p	OneQ Drilling Manual
47p	Drilling & Fixture Placement Concept
50p	Surgical Kit Instruction
51p	OneQ-SL Premium Surgical Kit
52p	OneQ-SL Advanced Surgical Kit

One System for All  
Implant Indications

**OneQ-SL**



# OneQ-SL implant System for all Indications

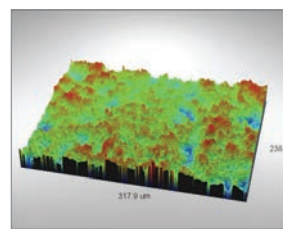
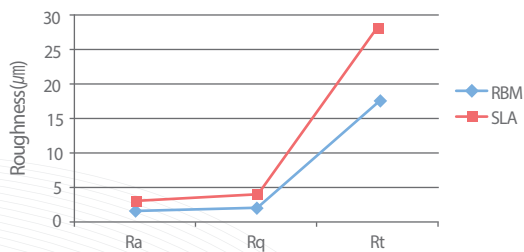


## Design for High Initial Stability

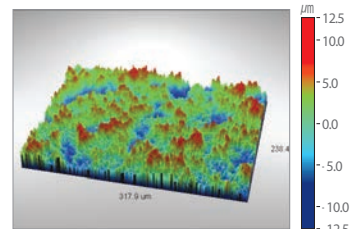
- Double tapered design implant body design (Regular & Wide)
- Straight body & tapered head design design accommodates easier depth control, stability, and accurate primary fixation
- Cutting grooves boost self-tapping capabilities for minimal osteotomy and earlier stability

## S.L.A. Surface for Faster Osseointegration

- 200% greater enhancement of the surface area compared to RBM surfaces
- Efficient and optimal osseointegration
- Lowest level of residue



SdrofRBM: 43.93%



SdrofSLA: 139.18%

## Sealing and Connection

- 11-degree tapered internal connection uses hexagonal locking to prevent micro-gap and micro-movement

## Improved Soft Tissue Volume

- Built-in platform-switching improves the soft tissue interface for natural aesthetics

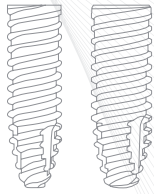
## Design Variations for all Indications

Class	Narrow	Regular	Wide
Diameter	Ø3.0/3.3	Ø3.7/4.2/4.7/5.2	Ø6.0/7.0/8.0
Length	8/10/12/14	7/8/10/12/14	6/7/8/10/12
Connection	DoubleHex		Hex
Body	Straight		Tapered+Straight
Thread	DoubleLeadThread		SingleLeadThread

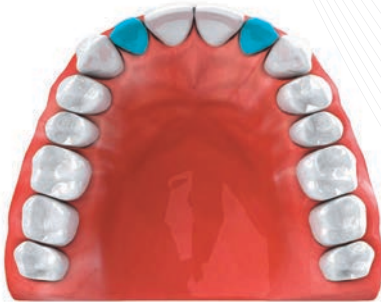
## One Surgical KIT System for Simpler Sequences

# OneQ-SL Narrow

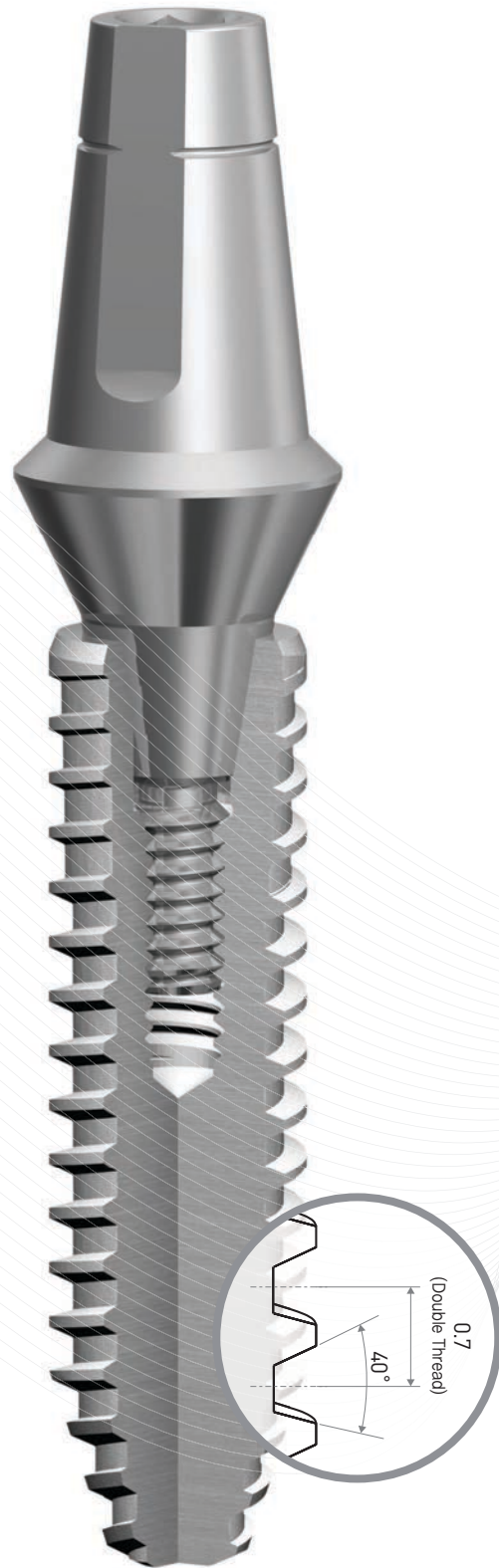
(size  $\varnothing 3.0$ ,  $\varnothing 3.3$ )



$\varnothing 3.0/3.3$  Maxilla



$\varnothing 3.0/3.3$  Mandible

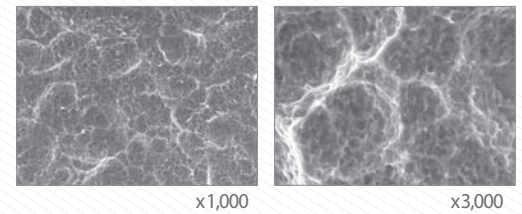
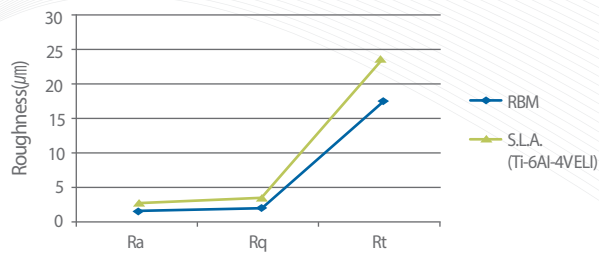


## Designed for Narrow Interdental Space

- A narrow, straight body allows easier depth control and less interference with adjacent teeth

## S.L.A. Surface

- 177% greater enhanced surface area compared to RBM (Ra 1.59 $\mu$ m) for faster osseointegration.

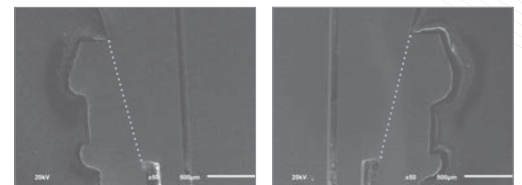


## Fluent Soft Tissue Volume

- Platform-switching improves the interfaces of soft tissue for natural aesthetics.

## Sealing with Double Hex Connections

- 11-degree tapered internal connection with hexagonal locking prevents micro-gap and micro-movement
- Double hex connections offers wider flexibility for adjusting direction of the abutment



## Smoother Insertion

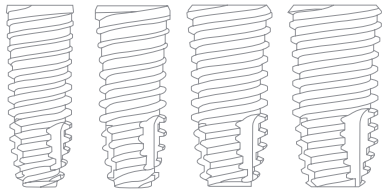
- Sharp cutting blade and widely spread (40-degree) double lead threads

## Apex with Cutting Groove

- Cutting grooves boost the self-tapping ability for minimal osteotomy, which facilitates earlier stability

# OneQ-SL Regular

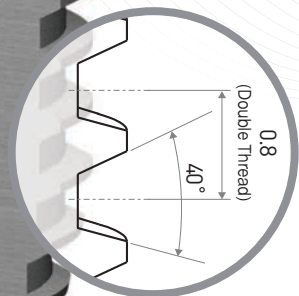
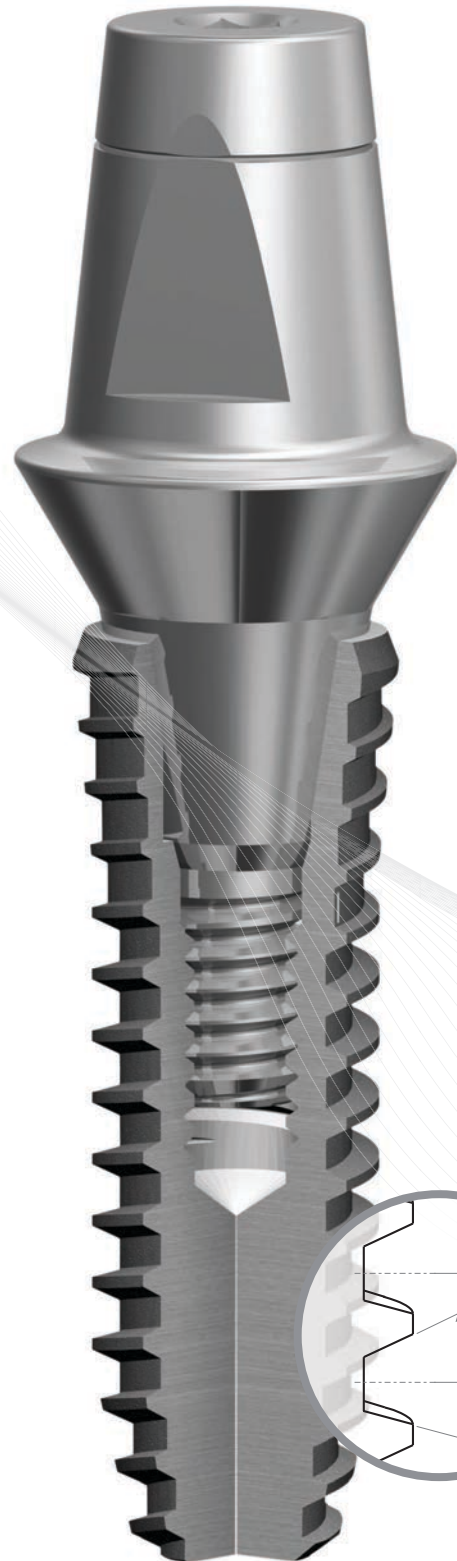
(size  $\text{\O}3.7$ ,  $\text{\O}4.2$ ,  $\text{\O}4.7$ ,  $\text{\O}5.2$ )



$\text{\O}3.7/4.2/4.7/5.2$  Maxilla



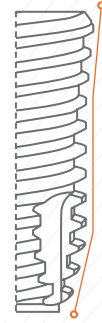
$\text{\O}3.7/4.2/4.7/5.2$  Mandible





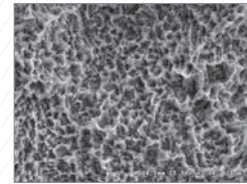
## Designed for all Indications

- Double tapered body
- Straight design accommodates easier depth control
- Tapered head condenses bone for improved primary fixation, even in compromised areas

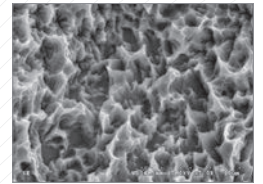


## S.L.A. Surface

- 200% greater enhancement of the surface area compared to RBM surfaces
- Effective and excellent osseointegration
- Lowest level of residue



x2,000



x5,000

## Sealing with Hex Connection

- 11-degree tapered internal connection with hexagonal locking prevents micro-gap and micro-movement

## Optimal Soft Tissue Volume

- Platform-switching design improves the soft tissue connection and aesthetic appearance



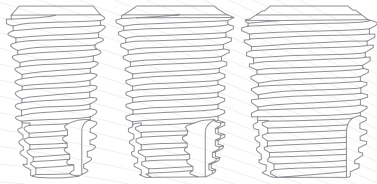
## Improved Stability

- Apex with cutting edge boosts self-tapping ability and enables less osteotomy for earlier stability
- Flat-end design reduces the risk of accidental perforation of the sinuses



# OneQ-SL Wide

(size  $\text{\O}6.0$ ,  $\text{\O}7.0$ ,  $\text{\O}8.0$ )



$\text{\O}6.0/7.0/8.0$  Maxilla



$\text{\O}6.0/7.0/8.0$  Mandible

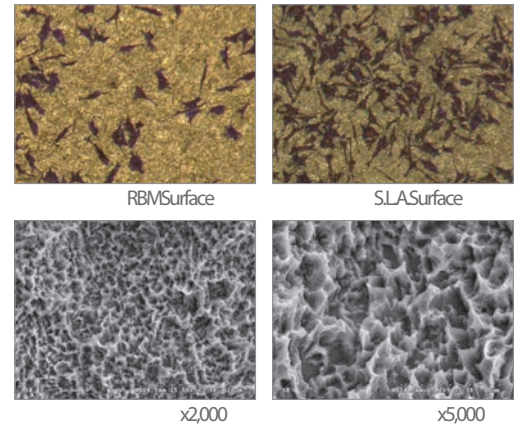


## Design for Less Stress and Greater Stability

- Double tapered design condenses bone structure
- Single lead thread design reduces bone stress
- Apex cutting grooves boost self-tapping ability for minimal osteotomy and earlier stability

## S.L.A. Surface

- Cell adhesion and differentiation of Human Osteoblast MG63 on SLA surfaces is 20% greater than RBM surfaces



## For Wide Extraction Sockets

- Wide body design is useful for treating areas of failed implant placement or wide sockets

## Reversed Taper head

- 0.7mm/1.0mm of reversed tapered area accommodates greater support of alveolar bone and soft tissue

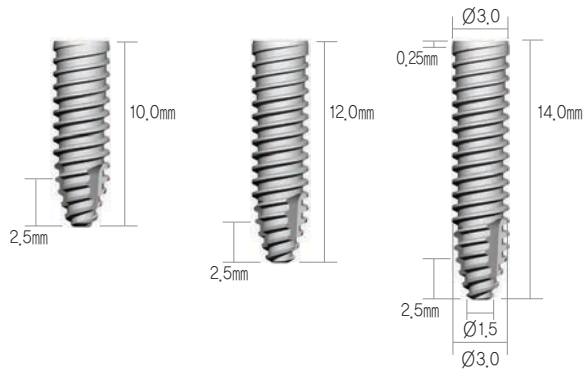


## Secured Sealing and Connection

- 11-degree tapered internal connections with hexagonal locking prevents micro-gap and micro-movement
- Uniquely designed abutments

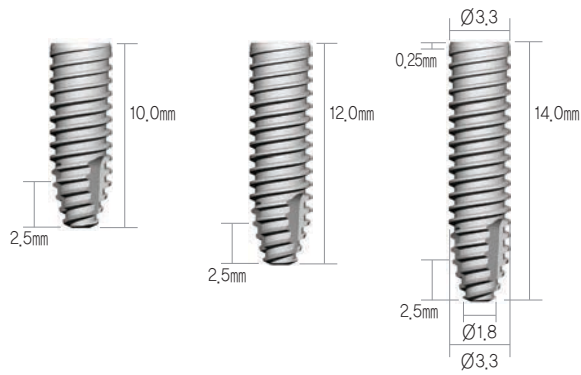
# OneQ-SL Fixture Line Up

## Narrow Line | Material: Ti-6Al-4V ELI |



Narrow		
Fixture Diameter	Length	Code No.
Ø3,0	10,0mm	DSSOFS3010S
	12,0mm	DSSOFS3012S
	14,0mm	DSSOFS3014S

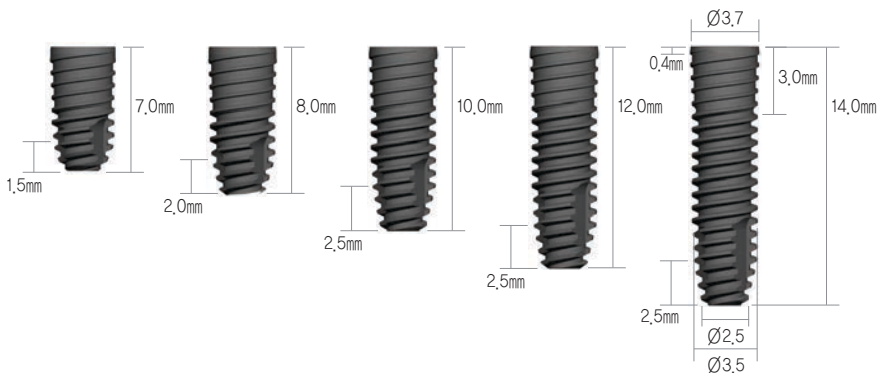
※Set Code(S) : Fixture + Cover Screw



Narrow		
Fixture Diameter	Length	Code No.
Ø3,3	10,0mm	DSSOFS3310S
	12,0mm	DSSOFS3312S
	14,0mm	DSSOFS3314S

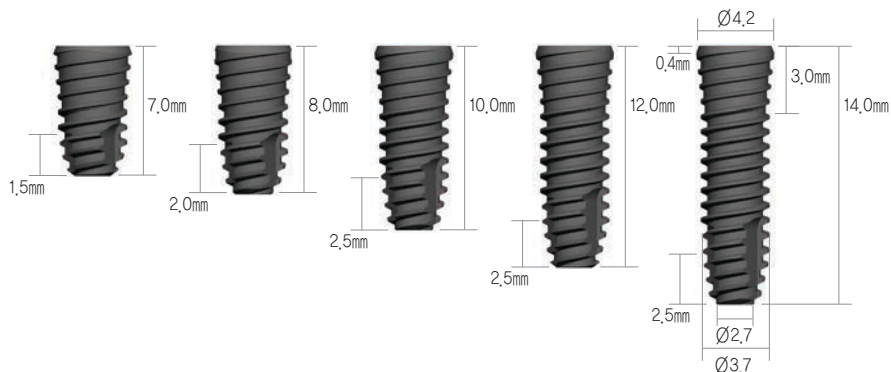
※Set Code(S) : Fixture + Cover Screw

## Regular Line | Material: Pure-Ti Grade 4 |



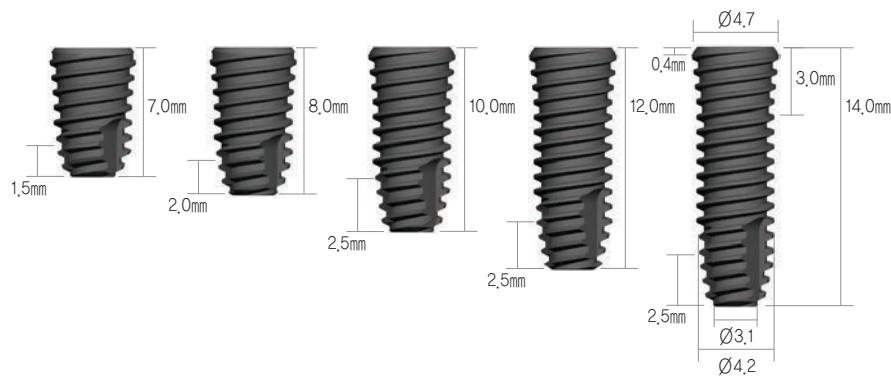
Regular		
Fixture Diameter	Length	Code No.
Ø3,7	7,0mm	DSSOFM3707S
	8,0mm	DSSOFM3708S
	10,0mm	DSSOFM3710S
	12,0mm	DSSOFM3712S
	14,0mm	DSSOFM3714S

※Set Code(S) : Fixture + Cover Screw



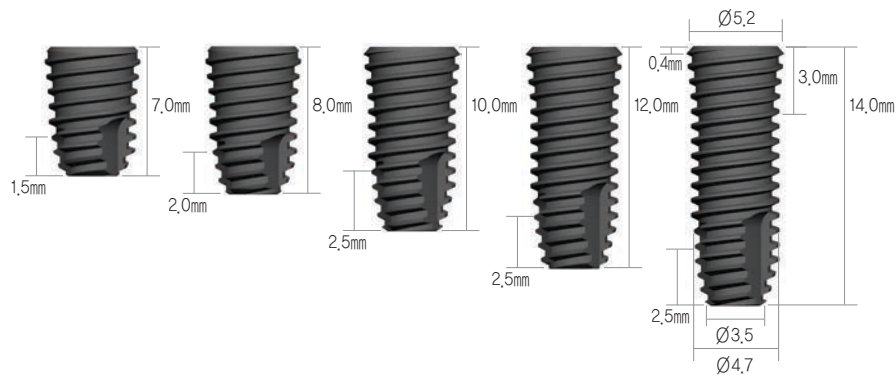
Regular		
Fixture Diameter	Length	Code No.
Ø4,2	7,0mm	DSSOFR4207S
	8,0mm	DSSOFR4208S
	10,0mm	DSSOFR4210S
	12,0mm	DSSOFR4212S
	14,0mm	DSSOFR4214S

※Set Code(S) : Fixture + Cover Screw



Regular		
Fixture Diameter	Length	Code No.
Ø4,7	7,0mm	DSSOFR4707S
	8,0mm	DSSOFR4708S
	10,0mm	DSSOFR4710S
	12,0mm	DSSOFR4712S
	14,0mm	DSSOFR4714S

※Set Code(S) : Fixture + Cover Screw



Regular		
Fixture Diameter	Length	Code No.
Ø5,2	7,0mm	DSSOFR5207S
	8,0mm	DSSOFR5208S
	10,0mm	DSSOFR5210S
	12,0mm	DSSOFR5212S
	14,0mm	DSSOFR5214S

※Set Code(S) : Fixture + Cover Screw

Wide Line | Material: Pure-Ti Grade 4 |

Use only screw 6mm Fixture



Wide

Fixture Diameter	Length	Code No.
Ø6.0	7.0mm	DSSOFW6007S
	8.0mm	DSSOFW6008S
	10.0mm	DSSOFW6010S
	12.0mm	DSSOFW6012S

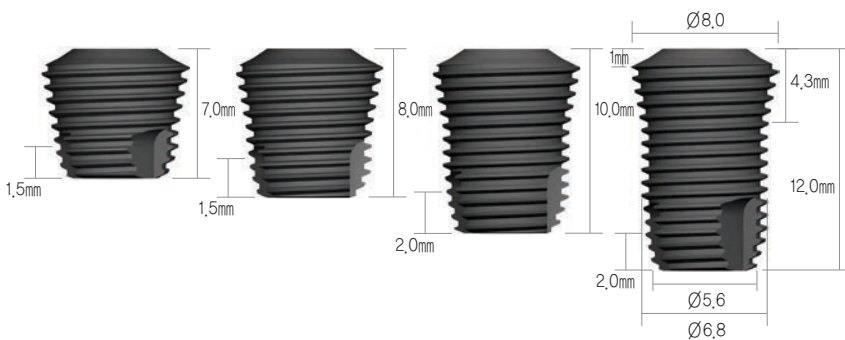
※Set Code(S) : Fixture + Cover Screw



Wide

Fixture Diameter	Length	Code No.
Ø7.0	7.0mm	DSSOFW7007S
	8.0mm	DSSOFW7008S
	10.0mm	DSSOFW7010S
	12.0mm	DSSOFW7012S

※Set Code(S) : Fixture + Cover Screw



Wide

Fixture Diameter	Length	Code No.
Ø8.0	7.0mm	DSSOFW8007S
	8.0mm	DSSOFW8008S
	10.0mm	DSSOFW8010S
	12.0mm	DSSOFW8012S

※Set Code(S) : Fixture + Cover Screw

# Cover Screw & Healing Abutment

| ▶ A/D: Abutment Diameter | ▶ P/H: Post Height | ▶ G/H: Gingiva Height |

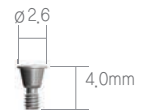
## Cover Screw (Narrow) | Recommended torque - Narrow size : 20Ncm / Regular, wide size : 30Ncm |



DSOFCS + DSSOFS3310

Code No.

DSOFCS



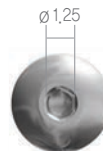
## Cover Screw (Regular / Wide)



DSCSM + DSSOFR4210

Code No.

DSCSM



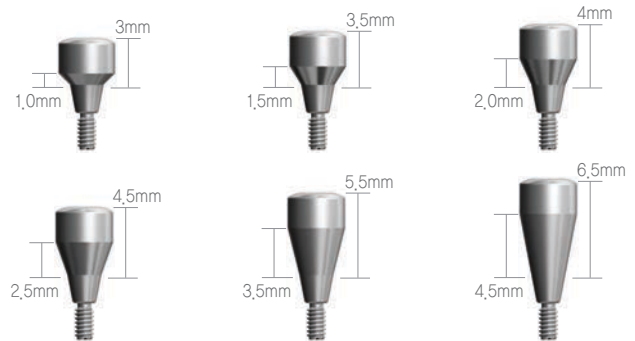
## Healing Abutment (Narrow)

Recommended torque - Narrow size : 20Ncm / Regular, wide size : 30Ncm



DSHS4015 + DSSOFS3310

Abutment Diameter	G/H	Code No.
Ø4.0	1.0mm	DSHS4010
	1.5mm	DSHS4015
	2.0mm	DSHS4020
	2.5mm	DSHS4025
	3.5mm	DSHS4035
	4.5mm	DSHS4045

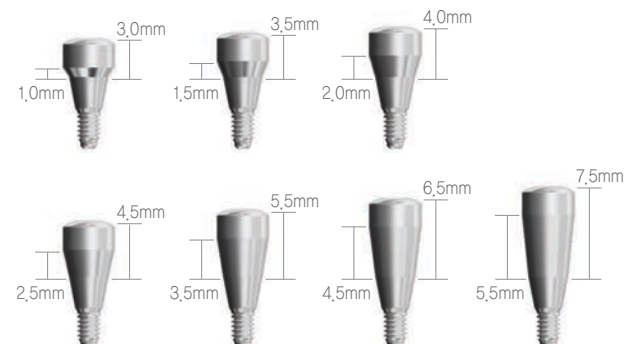


## Healing Abutment (Regular / Wide)



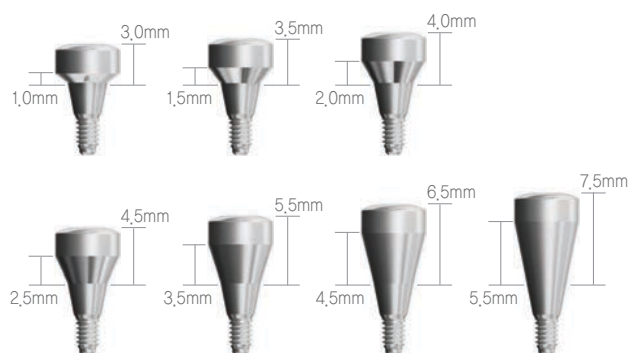
DSH4520 + DSSOFR4210

Abutment Diameter	G/H	Code No.
Ø4.5	1.0mm	DSH4510
	1.5mm	DSH4515
	2.0mm	DSH4520
	2.5mm	DSH4525
	3.5mm	DSH4535
	4.5mm	DSH4545
	5.5mm	DSH4555

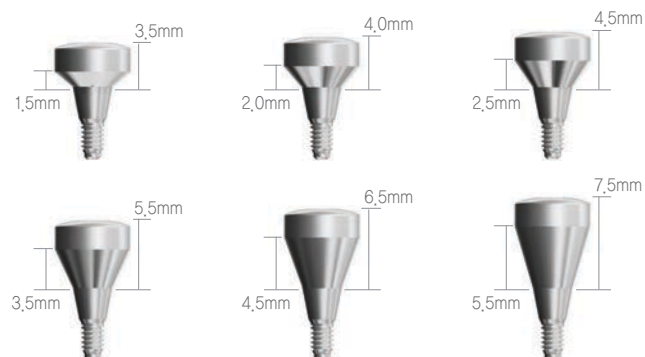




Abutment Diameter	G/H	Code No.
Ø5,5	1,0mm	DSH5510
	1,5mm	DSH5515
	2,0mm	DSH5520
	2,5mm	DSH5525
	3,5mm	DSH5535
	4,5mm	DSH5545
	5,5mm	DSH5555



Abutment Diameter	G/H	Code No.
Ø6,5	1,5mm	DSH6515
	2,0mm	DSH6520
	2,5mm	DSH6525
	3,5mm	DSH6535
	4,5mm	DSH6545
	5,5mm	DSH6555



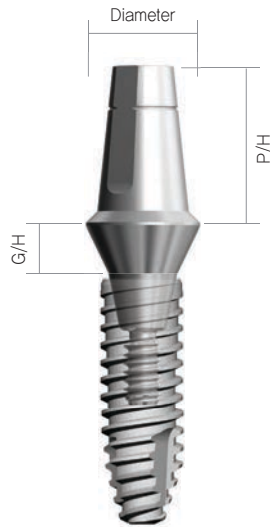
# Prosthetic Flow Diagrams for OneQ Sole System

## Abutment Level Impression / Cemented Restoration

 Narrow Type

Description	Flow	Tool
Plastic Coping		 Reamer
Lab Analog		
Impression Cap		
Abutment		 1,25 Hex Driver
		 1,25 Hex Driver
OneQ Fixture		 No-mount Driver    Ratchet Driver

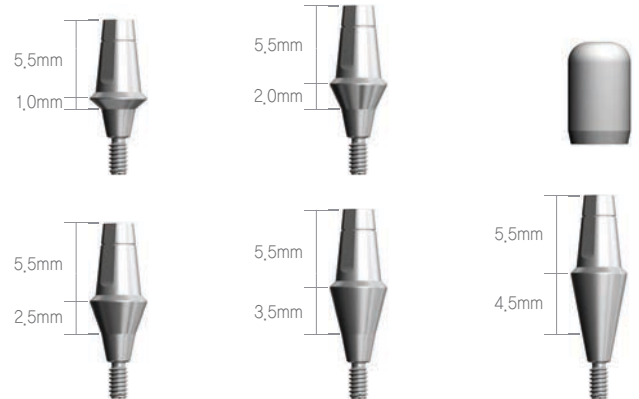
## Sole Abutment (Narrow) | Recommended torque - Narrow size : 20Ncm / Regular, wide size : 30Ncm |



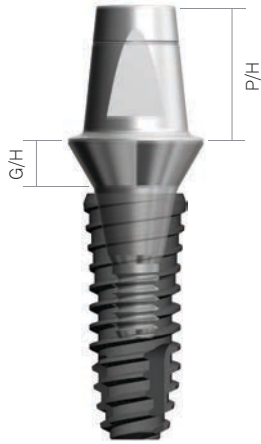
DSSAS40205S + DSSOFS3310

Abutment Diameter	G/H	P/H	Code No.
Ø4.0	1.0mm	5.5mm	DSSAS40105S
	2.0mm		DSSAS40205S
	2.5mm		DSSAS40255S
	3.5mm		DSSAS40355S
	4.5mm		DSSAS40455S

※ Set Code(S) : Abutment + Healing Cap



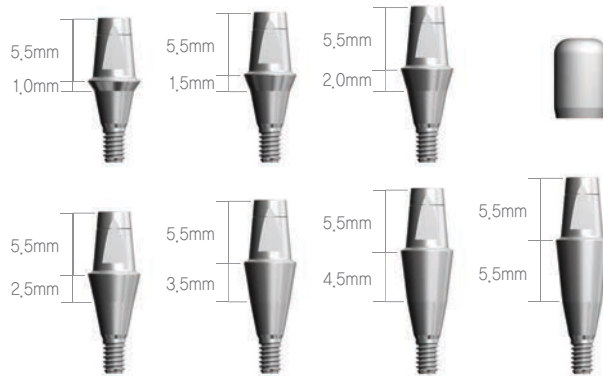
## Sole Abutment (Regular / Wide)



DSSA5520S + DSSOFR4210

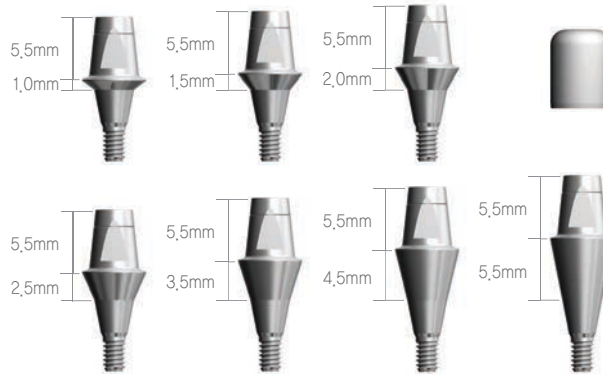
Abutment Diameter	G/H	P/H	Code No.
Ø4.5	1.0mm	5.5mm	DSSA4510S
	1.5mm		DSSA4515S
	2.0mm		DSSA4520S
	2.5mm		DSSA4525S
	3.5mm		DSSA4535S
	4.5mm		DSSA4545S
	5.5mm		DSSA4555S

※ Set Code(S) : Abutment + Healing Cap



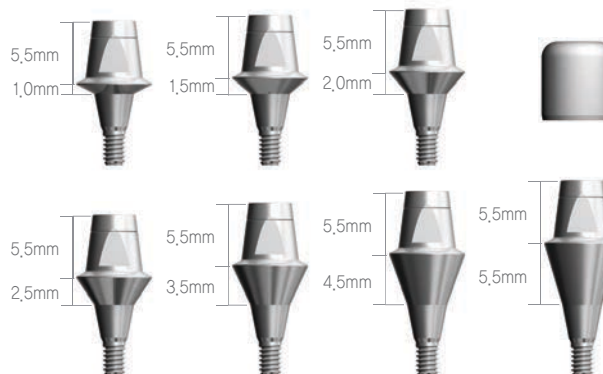
Abutment Diameter	G/H	P/H	Code No.
Ø5.5	1.0mm	5.5mm	DSSA5510S
	1.5mm		DSSA5515S
	2.0mm		DSSA5520S
	2.5mm		DSSA5525S
	3.5mm		DSSA5535S
	4.5mm		DSSA5545S
	5.5mm		DSSA5555S

※ Set Code(S) : Abutment + Healing Cap



Abutment Diameter	G/H	P/H	Code No.
Ø6.5	1.0mm	5.5mm	DSSA6510S
	1.5mm		DSSA6515S
	2.0mm		DSSA6520S
	2.5mm		DSSA6525S
	3.5mm		DSSA6535S
	4.5mm		DSSA6545S
	5.5mm		DSSA6555S

※ Set Code(S) : Abutment + Healing Cap



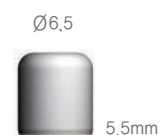
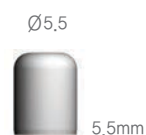
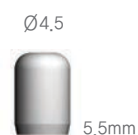
### Sole Abutment Healing Cap (Narrow)

Abutment Diameter	P/H	Code No.
Ø4.0	5,5mm 7,0mm	DSSASHC405 DSSASHC407



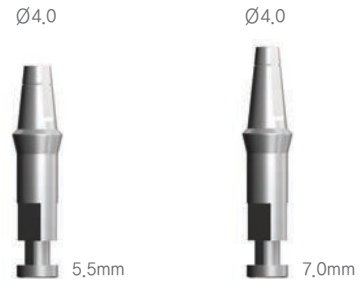
### Sole Healing Cap (Regular / Wide)

Abutment Diameter	P/H	Code No.
Ø4.5	5,5mm 7,0mm	DSHC455 DSHC457
Ø5.5	5,5mm 7,0mm	DSHC555 DSHC557
Ø6.5	5,5mm 7,0mm	DSHC655 DSHC657



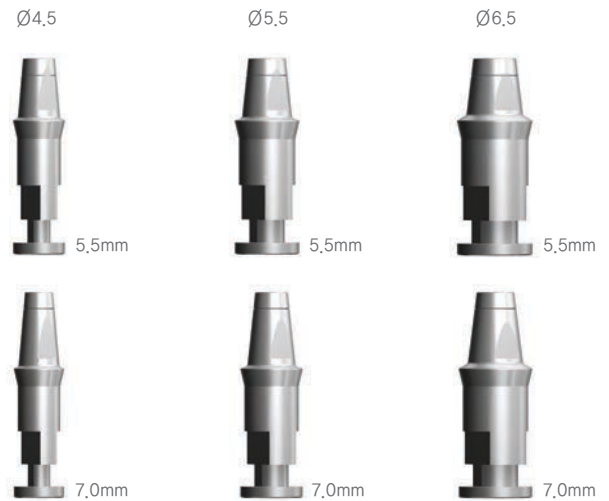
### Lab Analog (Narrow)

Abutment Diameter	P/H	Code No.
Ø4.0	5,5mm 7,0mm	DSSLAS405 DSSLAS407



### Lab Analog (Regular / Wide)

Abutment Diameter	P/H	Code No.
Ø4.5	5,5mm 7,0mm	DSSLA45 DSSLA457
Ø5.5	5,5mm 7,0mm	DSSLA55 DSSLA557
Ø6.5	5,5mm 7,0mm	DSSLA65 DSSLA657



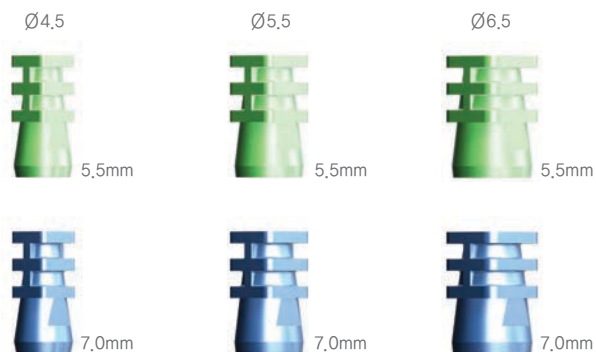
### Impression Positioning Cylinder (Narrow)

Abutment Diameter	P/H	Code No.
Ø4.0	5,5mm 7,0mm	DSIPCS405 DSIPCS407



### Impression Positioning Cylinder (Regular / Wide)

Abutment Diameter	P/H	Code No.
Ø4,5	5,5mm 7,0mm	DSIPC455 DSIPC457
Ø5,5	5,5mm 7,0mm	DSIPC555 DSIPC557
Ø6,5	5,5mm 7,0mm	DSIPC655 DSIPC657



### Plastic Coping (Regular / Wide)

Abutment Diameter	Type	Code No.
Ø4,5	Single Bridge	DSSAP45S DSSAP45B



Abutment Diameter	Type	Code No.
Ø5,5	Single Bridge	DSSAP55S DSSAP55B











Abutment Diameter	Type	Code No.
Ø6,5	Single Bridge	DSSAP65S DSSAP65B



# Prosthetic Flow Diagrams for OneQ Couple system

Fixture Level Impression / Cemented Restoration / Screw Restoration

 Narrow Type

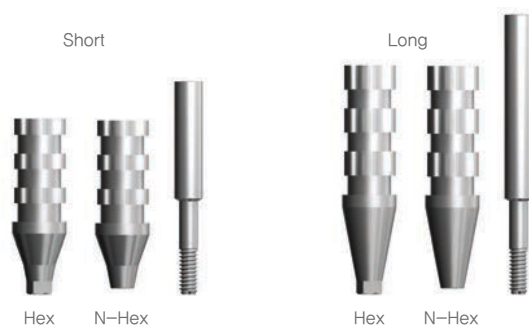
Description	Flow	Tool
Screw		 1,25 Hex Driver
Lab Analog		
Impression Coping	 <p>Hex N-Hex Pick-up</p> <p>Hex N-Hex Transfer</p>	 1,25 Hex Driver
Abutment	 <p>Hex N-Hex Couple</p> <p>Hex N-Hex FreeMill</p> <p>Hex N-Hex Gold UCLA</p> <p>Hex N-Hex CCM UCLA</p> <p>15° 25° Angled</p> <p>Moa</p> <p>Hex N-Hex Titanium</p> <p>Hex N-Hex Temporary</p> <p>Hex N-Hex PEEK</p>	 1,25 Hex Driver
	 <p>Cover Screw</p> <p>Healing Abutment</p>	 1,25 Hex Driver
OneQ Fixture	 <p>OneQ-SL(Narrow) ≠ OneQ-SL(Regular) OneQ-SL(Wide)</p>	 No-mount Driver Ratchet Driver



### Pick-Up Impression Coping (Narrow)

Abutment Diameter	Type	Height	Code No.
Ø4.0	Hex	Short	DSIHS40SS
		Long	DSIHS40LS
	N-Hex	Short	DSINS40SS
		Long	DSINS40LS

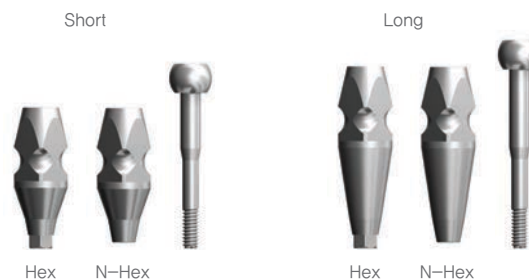
※ Set Code(S) : Impression Body + Pin



### Transfer Impression Coping (Narrow)

Abutment Diameter	Type	Height	Code No.
Ø4.0	Hex	Short	DSITHS40SS
		Long	DSITHS40LS
	N-Hex	Short	DSITNS40SS
		Long	DSITNS40LS

※ Set Code(S) : Impression Body + Pin



### Pick-Up Impression Coping (Regular / Wide)

Abutment Diameter	Type	Height	Code No.
Ø4.5	Hex	Short	DSIH45SS
		Long	DSIH45LS
	N-Hex	Short	DSIN45SS
		Long	DSIN45LS

※ Set Code(S) : Impression Body + Pin



Abutment Diameter	Type	Height	Code No.
Ø5.5	Hex	Short	DSIH55SS
		Long	DSIH55LS
	N-Hex	Short	DSIN55SS
		Long	DSIN55LS

※ Set Code(S) : Impression Body + Pin



Abutment Diameter	Type	Height	Code No.
Ø6.5	Hex	Short	DSIH65SS
		Long	DSIH65LS
	N-Hex	Short	DSIN65SS
		Long	DSIN65LS

※ Set Code(S) : Impression Body + Pin



## Transfer Impression Coping (Regular / Wide)

Abutment Diameter	Type	Height	Code No.
Ø4.5	Hex	Short	DSITH45SS
		Long	DSITH45LS
	N-Hex	Short	DSITN45SS
		Long	DSITN45LS

※ Set Code(S) : Impression Body + Pin



Abutment Diameter	Type	Height	Code No.
Ø5.5	Hex	Short	DSITH55SS
		Long	DSITH55LS
	N-Hex	Short	DSITN55SS
		Long	DSITN55LS

※ Set Code(S) : Impression Body + Pin



Abutment Diameter	Type	Height	Code No.
Ø6.5	Hex	Short	DSITH65SS
		Long	DSITH65LS
	N-Hex	Short	DSITN65SS
		Long	DSITN65LS

※ Set Code(S) : Impression Body + Pin



## Lab Analog (Narrow)

Abutment Diameter	Code No.
Ø4.0	DSCLAS



## Lab Analog (Regular / Wide)

Abutment Diameter	Code No.
Ø4.5	DSCLA



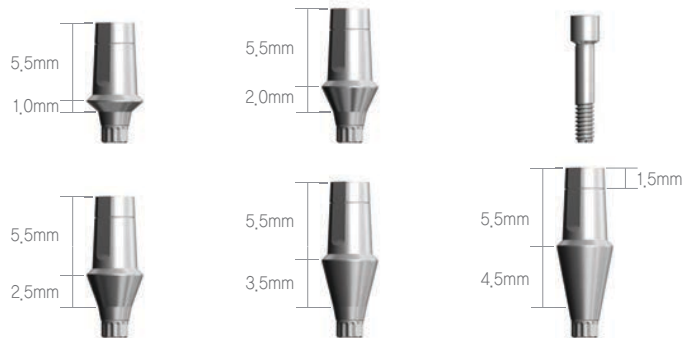
## Couple Abutment (Narrow) [Hex] | Recommended torque - Narrow size : 20Ncm / Regular, wide size : 30Ncm



DSCAS40205HS + DSSOFS3310

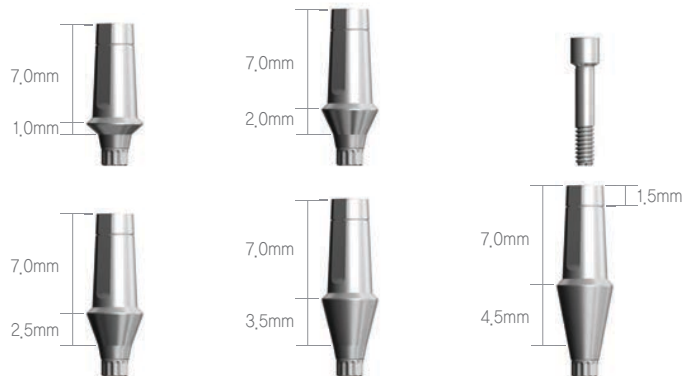
Abutment Diameter	G/H	P/H	Code No.
Ø4.0	1.0mm	5.5mm	DSCAS40105HS
	2.0mm		DSCAS40205HS
	2.5mm		DSCAS40255HS
	3.5mm		DSCAS40355HS
	4.5mm		DSCAS40455HS

※ Set Code(S) : Abutment Screw Included

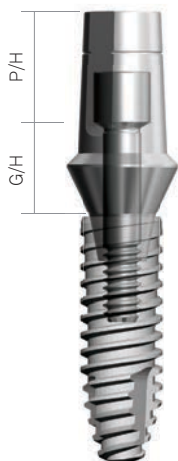


Abutment Diameter	G/H	P/H	Code No.
Ø4.0	1.0mm	7.0mm	DSCAS40107HS
	2.0mm		DSCAS40207HS
	2.5mm		DSCAS40257HS
	3.5mm		DSCAS40357HS
	4.5mm		DSCAS40457HS

※ Set Code(S) : Abutment Screw Included



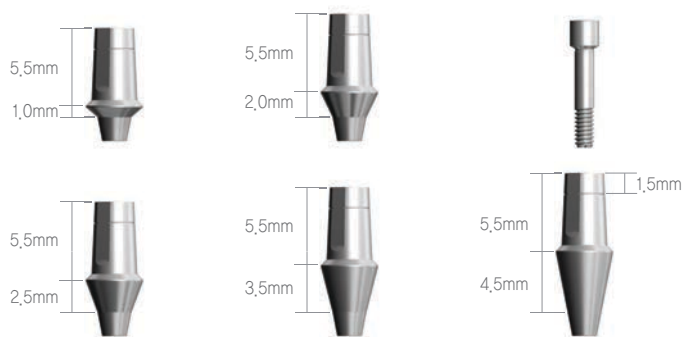
## Couple Abutment (Narrow) [N-Hex] | Recommended torque - Narrow size : 20Ncm / Regular, wide size : 30Ncm |



DSCAS40205NTS + DSSOFS3310

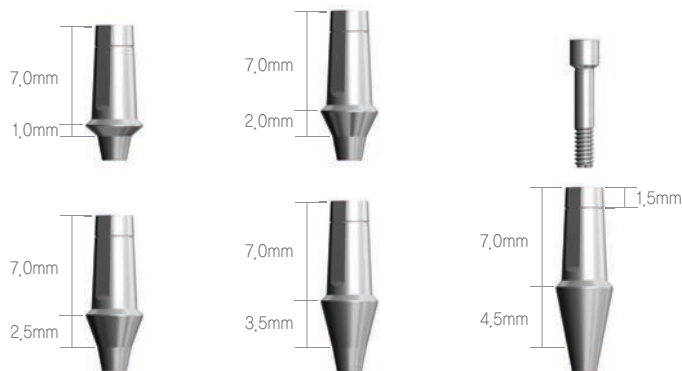
Abutment Diameter	G/H	P/H	Code No.
Ø4.0	1.0mm	5.5mm	DSCAS40105NS
	2.0mm		DSCAS40205NS
	2.5mm		DSCAS40255NS
	3.5mm		DSCAS40355NS
	4.5mm		DSCAS40455NS

※ Set Code(S) : Abutment Screw Included



Abutment Diameter	G/H	P/H	Code No.
Ø4.0	1.0mm	7.0mm	DSCAS40107NS
	2.0mm		DSCAS40207NS
	2.5mm		DSCAS40257NS
	3.5mm		DSCAS40357NS
	4.5mm		DSCAS40457NS

※ Set Code(S) : Abutment Screw Included



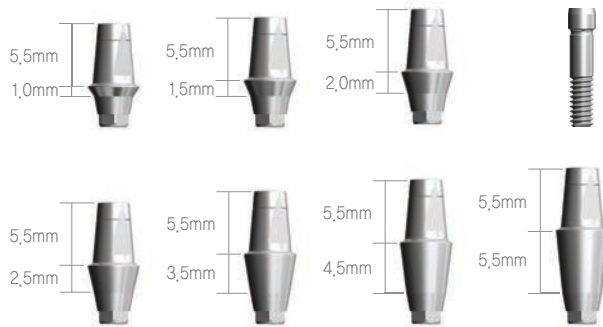
## Couple Abutment (Regular / Wide) [Hex]



DSCA4520HS + DSSOFR4210

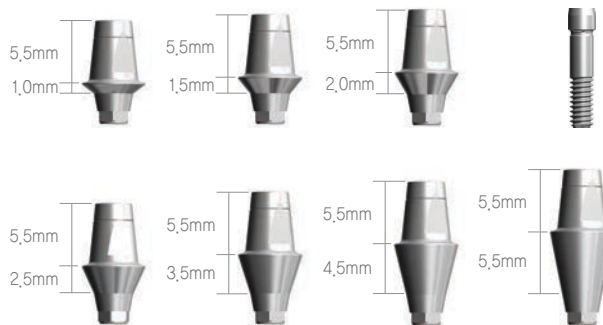
Abutment Diameter	G/H	P/H	Code No.
Ø4.5	1.0mm	5.5mm	DSCA4510HS
	1.5mm		DSCA4515HS
	2.0mm		DSCA4520HS
	2.5mm		DSCA4525HS
	3.5mm		DSCA4535HS
	4.5mm		DSCA4545HS
	5.5mm		DSCA4555HS

※ Set Code(S) : Abutment Screw Included



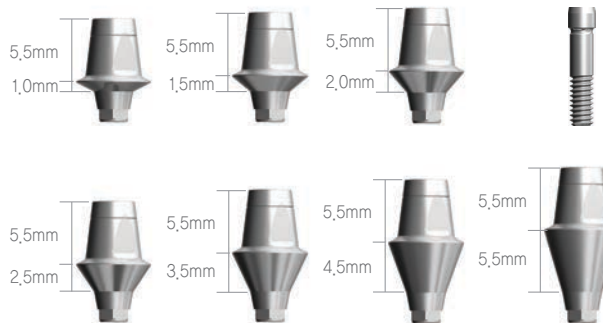
Abutment Diameter	G/H	P/H	Code No.
Ø5.5	1.0mm	5.5mm	DSCA5510HS
	1.5mm		DSCA5515HS
	2.0mm		DSCA5520HS
	2.5mm		DSCA5525HS
	3.5mm		DSCA5535HS
	4.5mm		DSCA5545HS
	5.5mm		DSCA5555HS

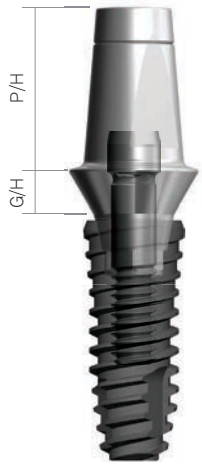
※ Set Code(S) : Abutment Screw Included



Abutment Diameter	G/H	P/H	Code No.
Ø6.5	1.5mm	5.5mm	DSCA6515HS
	2.0mm		DSCA6520HS
	2.5mm		DSCA6525HS
	3.5mm		DSCA6535HS
	4.5mm		DSCA6545HS
	5.5mm		DSCA6555HS

※ Set Code(S) : Abutment Screw Included

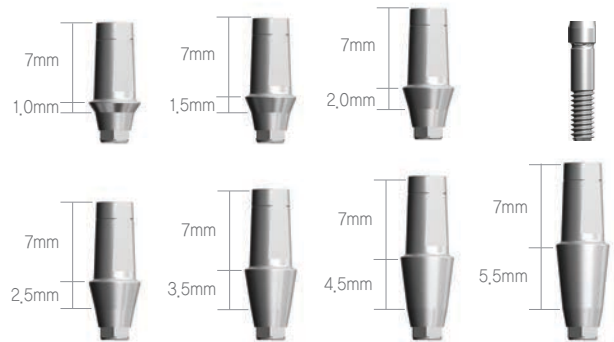




DSCA5520H7S + DSSOFR4210

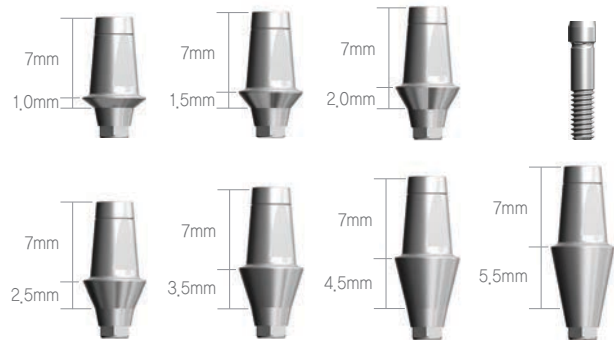
Abutment Diameter	G/H	P/H	Code No.
Ø4.5	1.0mm	7mm	DSCA4510H7S
	1.5mm		DSCA4515H7S
	2.0mm		DSCA4520H7S
	2.5mm		DSCA4525H7S
	3.5mm		DSCA4535H7S
	4.5mm		DSCA4545H7S
	5.5mm		DSCA4555H7S

※ Set Code(S) : Abutment Screw Included



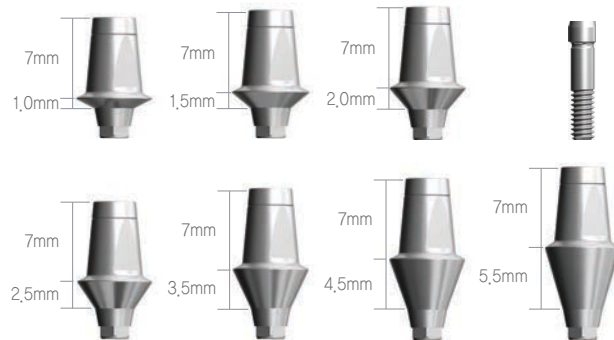
Abutment Diameter	G/H	P/H	Code No.
Ø5.5	1.0mm	7mm	DSCA5510H7S
	1.5mm		DSCA5515H7S
	2.0mm		DSCA5520H7S
	2.5mm		DSCA5525H7S
	3.5mm		DSCA5535H7S
	4.5mm		DSCA5545H7S
	5.5mm		DSCA5555H7S

※ Set Code(S) : Abutment Screw Included

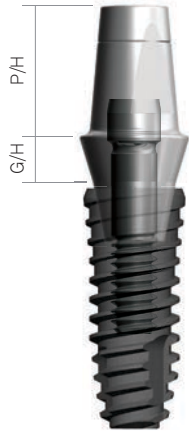


Abutment Diameter	G/H	P/H	Code No.
Ø6.5	1.5mm	7mm	DSCA6515H7S
	2.0mm		DSCA6520H7S
	2.5mm		DSCA6525H7S
	3.5mm		DSCA6535H7S
	4.5mm		DSCA6545H7S
	5.5mm		DSCA6555H7S

※ Set Code(S) : Abutment Screw Included



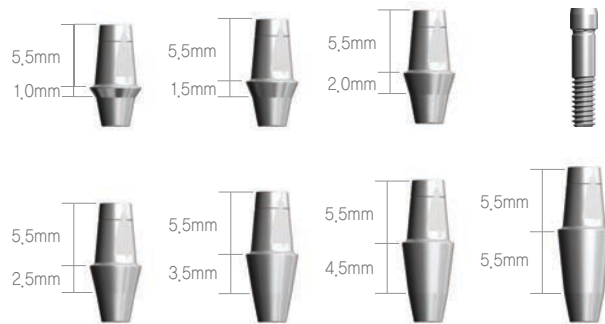
## Couple Abutment (Regular / Wide) [N-Hex]



DSCA4520NS + DSSOFR4210

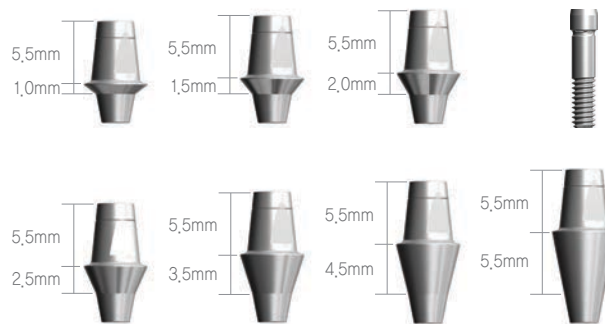
Abutment Diameter	G/H	P/H	Code No.
Ø4.5	1.0mm	5.5mm	DSCA4510NS
	1.5mm		DSCA4515NS
	2.0mm		DSCA4520NS
	2.5mm		DSCA4525NS
	3.5mm		DSCA4535NS
	4.5mm		DSCA4545NS
	5.5mm		DSCA4555NS

※ Set Code(S) : Abutment Screw Included



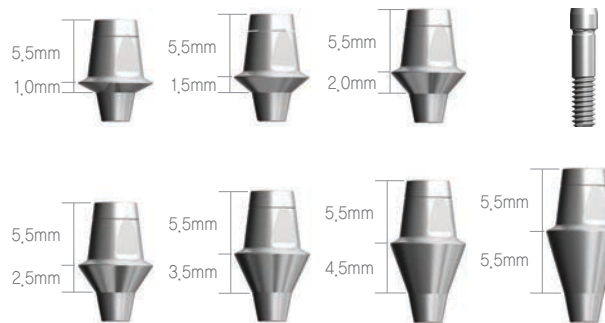
Abutment Diameter	G/H	P/H	Code No.
Ø5.5	1.0mm	5.5mm	DSCA5510NS
	1.5mm		DSCA5515NS
	2.0mm		DSCA5520NS
	2.5mm		DSCA5525NS
	3.5mm		DSCA5535NS
	4.5mm		DSCA5545NS
	5.5mm		DSCA5555NS

※ Set Code(S) : Abutment Screw Included

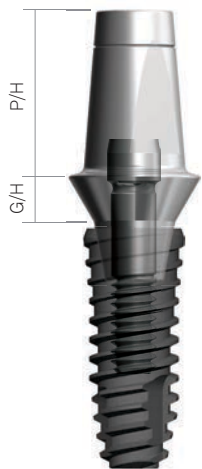


Abutment Diameter	G/H	P/H	Code No.
Ø6.5	1.5mm	5.5mm	DSCA6515NS
	2.0mm		DSCA6520NS
	2.5mm		DSCA6525NS
	3.5mm		DSCA6535NS
	4.5mm		DSCA6545NS
	5.5mm		DSCA6555NS

※ Set Code(S) : Abutment Screw Included



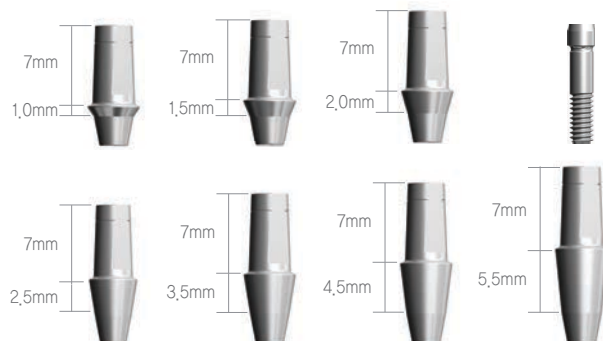




DSCA5520N7S + DSSOFR4210

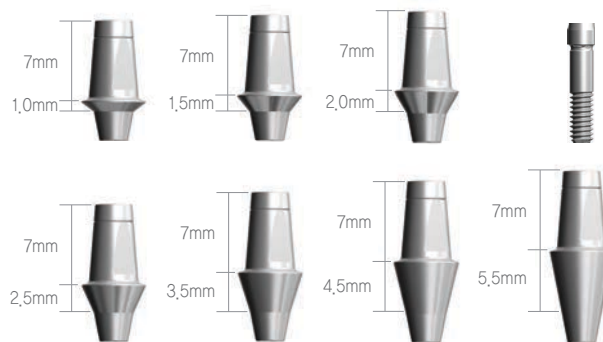
Abutment Diameter	G/H	P/H	Code No.
Ø4.5	1.0mm	7mm	DSCA4510N7S
	1.5mm		DSCA4515N7S
	2.0mm		DSCA4520N7S
	2.5mm		DSCA4525N7S
	3.5mm		DSCA4535N7S
	4.5mm		DSCA4545N7S
	5.5mm		DSCA4555N7S

※ Set Code(S) : Abutment Screw Included



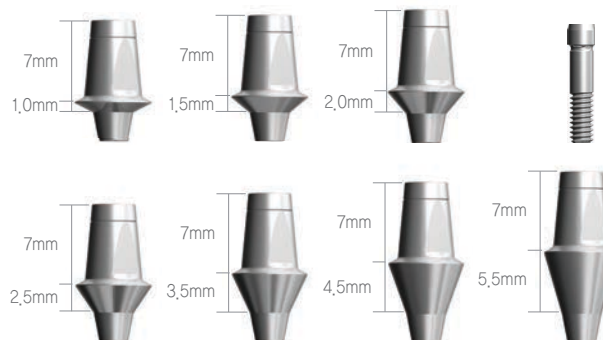
Abutment Diameter	G/H	P/H	Code No.
Ø5.5	1.0mm	7mm	DSCA5510N7S
	1.5mm		DSCA5515N7S
	2.0mm		DSCA5520N7S
	2.5mm		DSCA5525N7S
	3.5mm		DSCA5535N7S
	4.5mm		DSCA5545N7S
	5.5mm		DSCA5555N7S

※ Set Code(S) : Abutment Screw Included

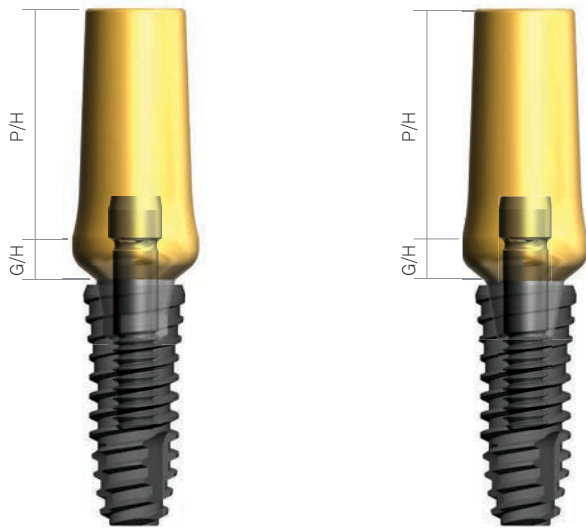


Abutment Diameter	G/H	P/H	Code No.
Ø6.5	1.5mm	7mm	DSCA6515N7S
	2.0mm		DSCA6520N7S
	2.5mm		DSCA6525N7S
	3.5mm		DSCA6535N7S
	4.5mm		DSCA6545N7S
	5.5mm		DSCA6555N7S

※ Set Code(S) : Abutment Screw Included



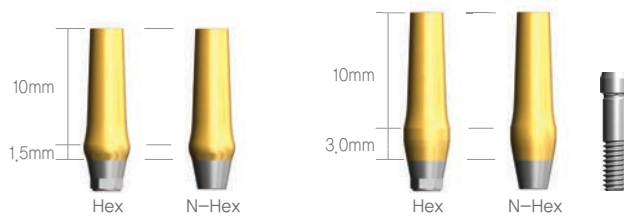
## FreeMill Abutment (Regular / Wide) [Hex / N-Hex]



DSFMA5520HHCTS + DSSOFR4210    DSFMA5520NHCTS + DSSOFR4210

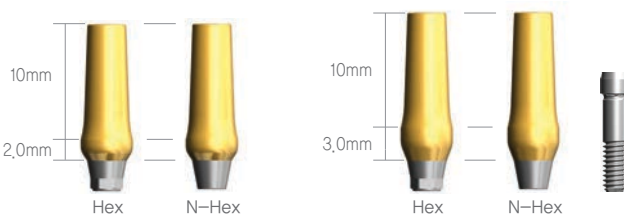
Abutment Diameter	G/H	Type	Code No.
Ø4.0	1,5mm	Hex N-Hex	DSFMA4015HHCTS DSFMA4015NHCTS
	3,0mm	Hex N-Hex	DSFMA4030HHCTS DSFMA4030NHCTS

※ Set Code(S) : Abutment Screw Included



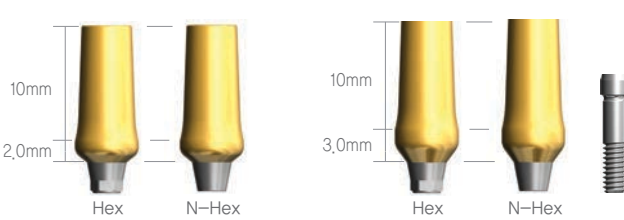
Abutment Diameter	G/H	Type	Code No.
Ø4.5	2,0mm	Hex N-Hex	DSFMA4520HHCTS DSFMA4520NHCTS
	3,0mm	Hex N-Hex	DSFMA4530HHCTS DSFMA4530NHCTS

※ Set Code(S) : Abutment Screw Included



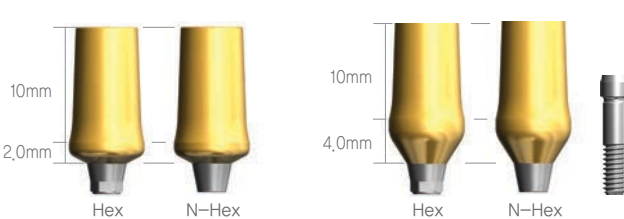
Abutment Diameter	G/H	Type	Code No.
Ø5.5	2,0mm	Hex N-Hex	DSFMA5520HHCTS DSFMA5520NHCTS
	3,0mm	Hex N-Hex	DSFMA5530HHCTS DSFMA5530NHCTS

※ Set Code(S) : Abutment Screw Included

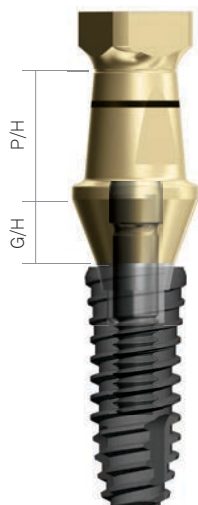


Abutment Diameter	G/H	Type	Code No.
Ø6.5	2,0mm	Hex N-Hex	DSFMA6520HHCTS DSFMA6520NHCTS
	4,0mm	Hex N-Hex	DSFMA6540HHCTS DSFMA6540NHCTS

※ Set Code(S) : Abutment Screw Included

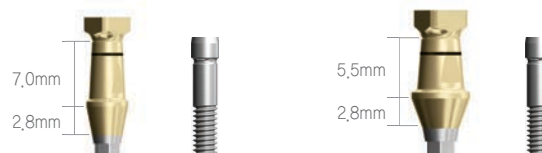


## MOA Abutment



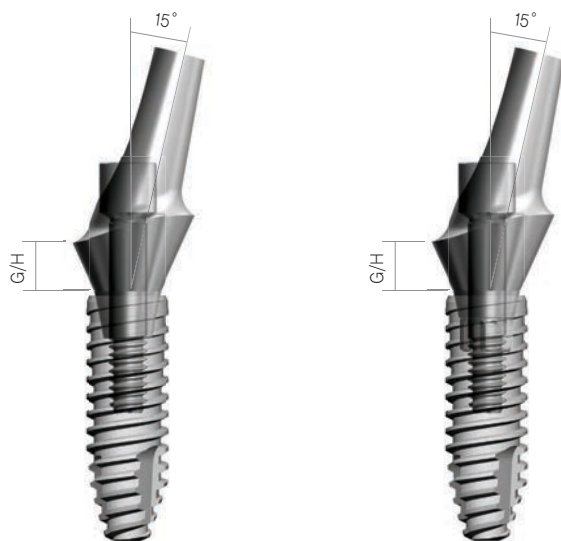
DSMA55305HCS + DSSOFR4210

Abutment Diameter	G/H	P/H	Code No.
Ø4.5	2.8	7.0	DSMA45307HCS
Ø5.5	2.8	5.5	DSMA55305HCS



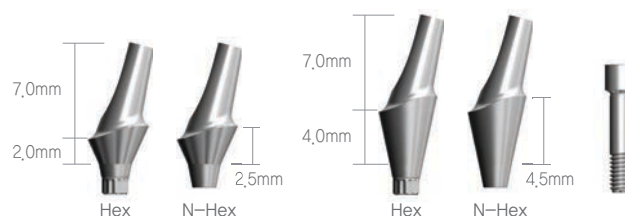
※ Set Code(S) : Abutment Screw Included

## Angled Abutment (Narrow) [15°] | Recommended torque - Narrow size : 20Ncm / Regular, wide size : 30Ncm |



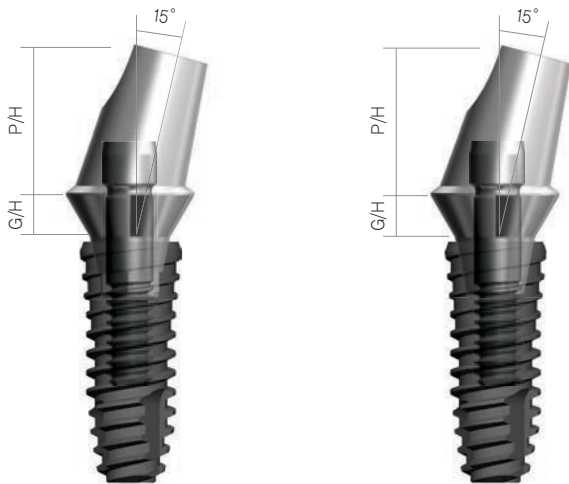
DSAAS40152HS + DSSOFS3310    DSAAS40152NS + DSSOFS3310

Abutment Diameter	Angle	G/H	Type	Code No.
Ø4.0	15°	2mm	Hex	DSAAS40152HS
			N-Hex	DSAAS40152NS
		4mm	Hex	DSAAS40154HS
			N-Hex	DSAAS40154NS



※ Set Code(S) : Abutment Screw Included

## Angled Abutment (Regular / Wide) [15°]

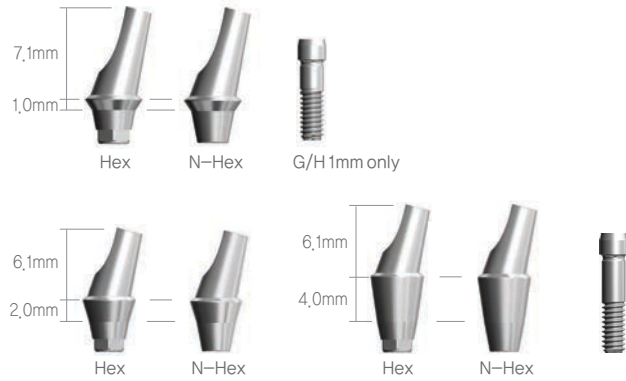


DSAA55152HS + DSSOFR4210

DSAA55152NS + DSSOFR4210

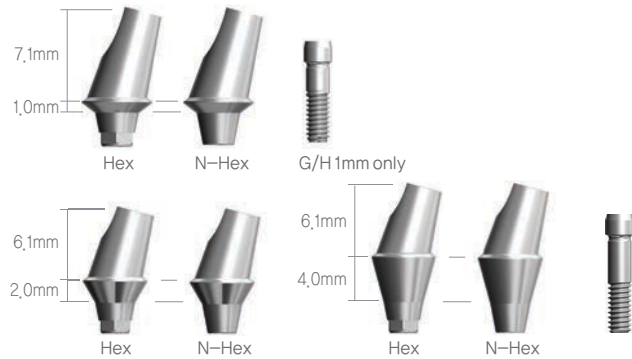
Abutment Diameter	Angle	G/H	Type	Code No.
Ø4.5	15°	1mm	Hex N-Hex	DSAA45151HS DSAA45151NHS
		2mm	Hex N-Hex	DSAA45152HS DSAA45152NHS
		4mm	Hex N-Hex	DSAA45154HS DSAA45154NHS

※ Set Code(S) : Abutment Screw Included



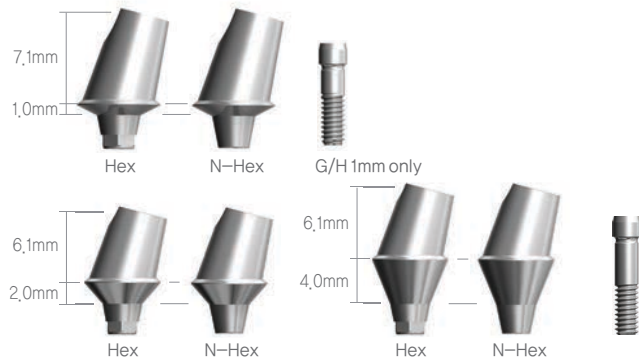
Abutment Diameter	Angle	G/H	Type	Code No.
Ø5.5	15°	1mm	Hex N-Hex	DSAA55151HS DSAA55151NHS
		2mm	Hex N-Hex	DSAA55152HS DSAA55152NHS
		4mm	Hex N-Hex	DSAA55154HS DSAA55154NHS

※ Set Code(S) : Abutment Screw Included

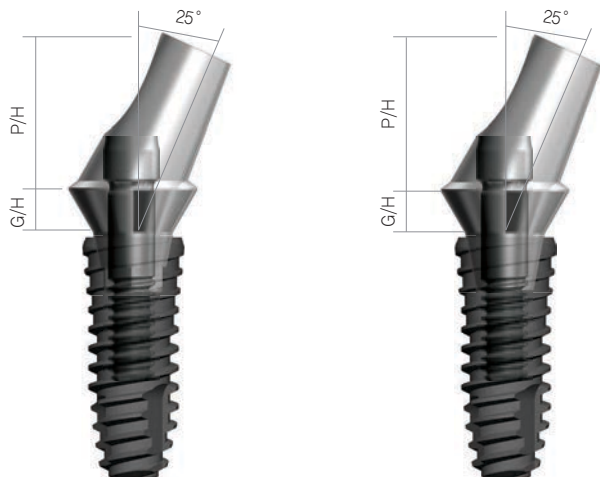


Abutment Diameter	Angle	G/H	Type	Code No.
Ø6.5	15°	1mm	Hex N-Hex	DSAA65151HS DSAA65151NHS
		2mm	Hex N-Hex	DSAA65152HS DSAA65152NHS
		4mm	Hex N-Hex	DSAA65154HS DSAA65154NHS

※ Set Code(S) : Abutment Screw Included



## Angled Abutment (Regular / Wide) [25°]

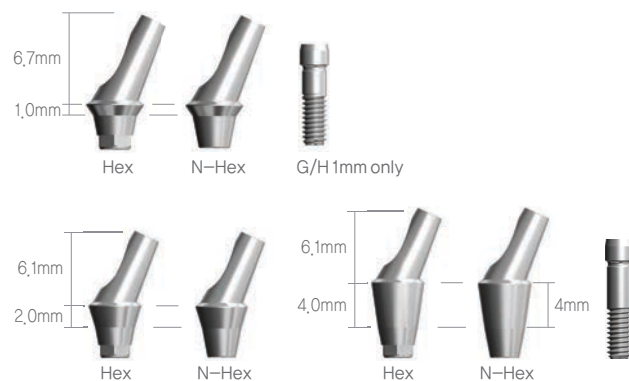


DSAA55252HS + DSSOFR4210

DSAA55252NS + DSSOFR4210

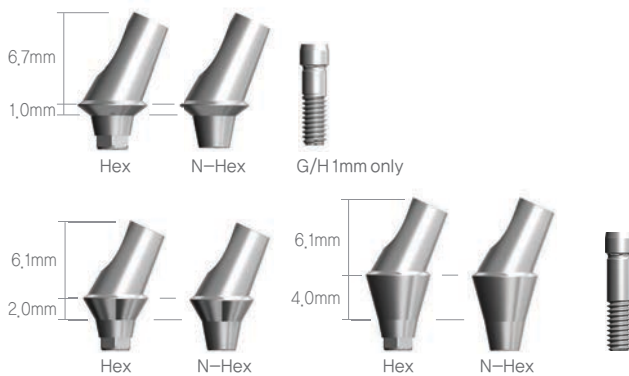
Abutment Diameter	Angle	G/H	Type	Code No.
Ø4.5	25 °	1mm	Hex N-Hex	DSAA45251HS DSAA45251NHS
		2mm	Hex N-Hex	DSAA45252HS DSAA45252NHS
		4mm	Hex N-Hex	DSAA45254HS DSAA45254NHS

※ Set Code(S) : Abutment Screw Included



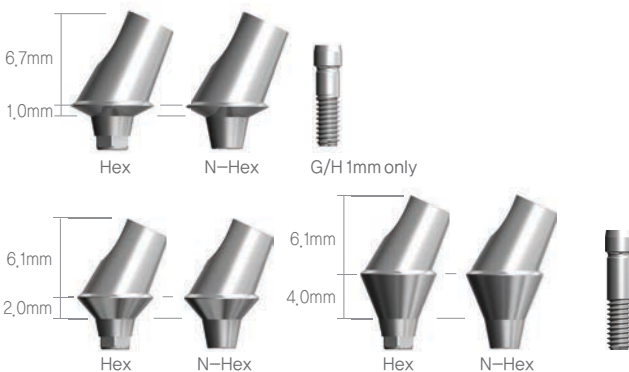
Abutment Diameter	Angle	G/H	Type	Code No.
Ø5.5	25 °	1mm	Hex N-Hex	DSAA55251HS DSAA55251NHS
		2mm	Hex N-Hex	DSAA55252HS DSAA55252NHS
		4mm	Hex N-Hex	DSAA55254HS DSAA55254NHS

※ Set Code(S) : Abutment Screw Included



Abutment Diameter	Angle	G/H	Type	Code No.
Ø6.5	25 °	1mm	Hex N-Hex	DSAA65251HS DSAA65251NHS
		2mm	Hex N-Hex	DSAA65252HS DSAA65252NHS
		4mm	Hex N-Hex	DSAA65254HS DSAA65254NHS

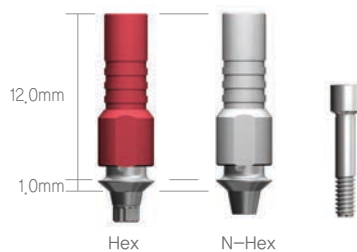
※ Set Code(S) : Abutment Screw Included



## Gold UCLA (Narrow) | Recommended torque - Narrow size : 20Ncm / Regular, wide size : 30Ncm

Abutment Diameter	Type	Code No.
Ø4.0	Hex	DSGUASHS
	N-Hex	DSGUASNS

※ Set Code(S) : Abutment Screw Included



## Gold UCLA (Regular / Wide)

Abutment Diameter	Type	Code No.
Ø4.5	Hex	DSGCHS
	N-Hex	DSGCNS

※ Set Code(S) : Abutment Screw Included



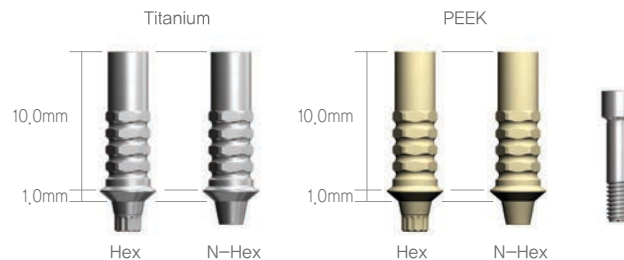
## Abutment Screw

Type	Code No.
Narrow	DSASS
Regular / Wide	DSAS



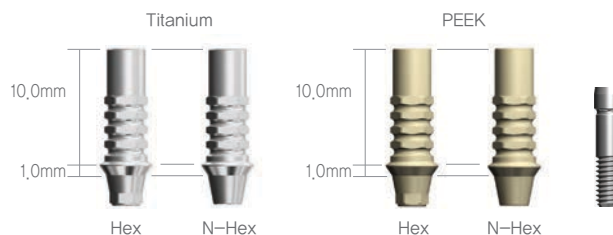
## Temporary Abutment (Narrow) | Recommended torque - Narrow size : 20Ncm / Regular, wide size : 30Ncm

Abutment Diameter	Material	Type	Code No.
Ø4.0	Titanium	Hex	DSTAS40HS
		N-Hex	DSTAS40NS
	PEEK	Hex	DSPTS40HS
		N-Hex	DSPTS40NS



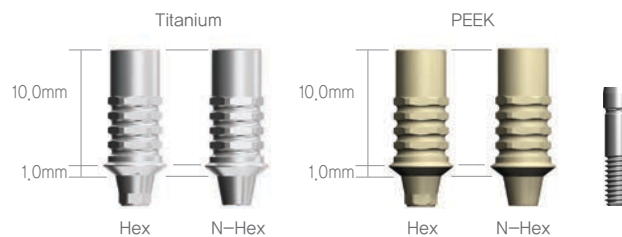
## Temporary Abutment (Regular / Wide)

Abutment Diameter	Material	Type	Code No.
Ø4.5	Titanium	Hex	DSTA45HS
		N-Hex	DSTA45NS
	PEEK	Hex	DSPT45HS
		N-Hex	DSPT45NS



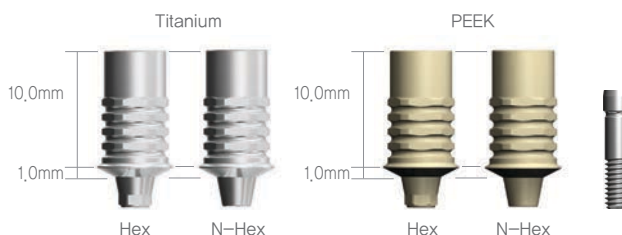
※ Set Code(S) : Abutment Screw Included

Abutment Diameter	Material	Type	Code No.
Ø5.5	Titanium	Hex	DSTA55HS
		N-Hex	DSTA55NS
	PEEK	Hex	DSPT55HS
		N-Hex	DSPT55NS



※ Set Code(S) : Abutment Screw Included












Abutment Diameter	Material	Type	Code No.
Ø6.5	Titanium	Hex	DSTA65HS
		N-Hex	DSTA65NS
	PEEK	Hex	DSPT65HS
		N-Hex	DSPT65NS



※ Set Code(S) : Abutment Screw Included

# Prosthetic Flow Diagrams for OneQ Sub Octa system

## Abutment Level Impression / Screw Restoration

Description	Flow	Tool
Screw		 1,2 Hex Driver
Cylinder	 Hex N-Hex Gold Cylinder	
Lab Analog	 Octa N-Octa CCM Cylinder	
Impression Coping	 Pick-up Transfer	 1,2 Hex Driver
Sub Octa Abutment		
	 Cover Screw Healing Abutment	 1,25 Hex Driver
OneQ Fixture	 OneQ-SL(Regular) OneQ-SL(Wide)	 No-mount Driver Ratchet Driver



## Sub Octa Abutment (Regular / Wide)



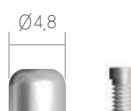
DSOA482 + DSSOFR4210

Abutment Diameter	G/H	Code No.
Ø4.8	1,0mm	DSOA480
	1,5mm	DSOA481
	2,5mm	DSOA482
	3,5mm	DSOA483
	4,5mm	DSOA484
	5,5mm	DSOA485



## Octa Healing Cap

Abutment Diameter	Code No.
Ø4.8	DIOHC



## Impression Coping

Abutment Diameter	Type	Code No.
Ø4.8	Pick-Up	DIOIOS DIOINS
	Transfer	DIOTIS



※ Set Code(S) : Impression Body + Pin

## Lab Analog

Abutment Diameter	Code No.
Ø4.8	DIOLA



## Cylinder















Abutment Diameter	Type	Angle	Code No.
Ø4.8	Gold	Octa	DIOGCOS
		N-Octa	DIOGCNS
	CCM	Octa	DIOCC480S
		N-Octa	DIOCC48NS
	Plastic	Octa	DIOPOS
		N-Octa	DIOPNS



※ Set Code(S) : Abutment Screw Included

# Prosthetic Flow Diagrams for OneQ Overdenture system

 Narrow Type

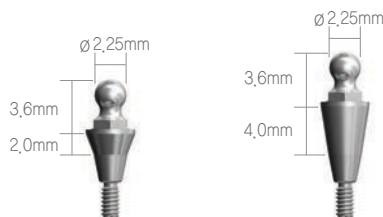
Description	Flow	Tool
Retainer	 <p>O-Ring Retainer      O-Ring</p>	
O-Ring Lab Analog	  	
O-Ring Abutment Magnetic Keeper	  <p> O-Ring Abutment</p>	 <p>O-Ring Abutment Driver</p>
	  <p>Cover Screw      Healing Abutment</p>	 <p>1,25 Hex Driver</p>
OneQ Fixture	  <p>OneQ-SL(Narrow)    ≠    OneQ-SL(Regular)    OneQ-SL(Wide)</p>	 <p>No-mount Driver      Ratchet Driver</p>

## O-Ring Abutment (Narrow)

Recommended torque - Narrow size : 20Ncm / Regular, wide size : 30Ncm |



DSORAS20 + DSSOFS3310



Abutment Diameter	G/H	Code No.
Ø3,5	2mm	DSORAS20
	4mm	DSORAS40

## O-Ring Abutment (Regular / Wide)



DSORA20 + DSSOFR4210



Abutment Diameter	G/H	Code No.
Ø3,4	0,5mm	DSORA00
Ø4,5	2mm	DSORA20
	4mm	DSORA40

## O-Ring Lab Analog

Code No.

DOLA



## O-Ring Retainer

Code No.

DORS [Open]

DORCS [Close]



4N

6N



4N

6N

## O-Ring

Abutment Diameter

Code No.

ORING (BLACK)

DOAO100

ORING1 (RED)

DOAO400

ORING2 (ORANGE)

DOAO800



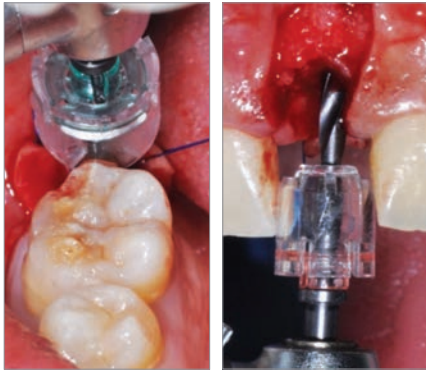
4N



6N

# Simple Implant System

## DENTIS Guide Wheel | Easily guide the implant into its proper position



**Visible Treatment**  
- Single or multiple implant cases

**Easy to Use**  
- Connect the drill for immediate use

**Reduced Heating**  
Internal irrigation inside of the wheel  
- keeps bone temperatures lower

**Prevent Cross-Contamination**  
- Utilizes hygienic, disposable materials

**High Frequency of Use**  
- For single to multiple cases

**Reduce Chair Time**  
- Predictable placement reduces the overall operation time

**Easy and Economical Solutions**  
- Can be used without the complex guide systems or tools

## Guide Wheel Products



Product is made of transparent, disposable plastic; do not autoclave.

### Guide Wheel Initial Drill



### Guide Wheel



\* Can be used in combination with the initial drill to secure an adequate path and space for prosthetic installation

Code.No	DGW6	DGW7	DGW8	DGW9	DGW10
Color	Yellow	Red	Blue	Green	Black
Size	Ø6	Ø7	Ø8	Ø9	Ø10

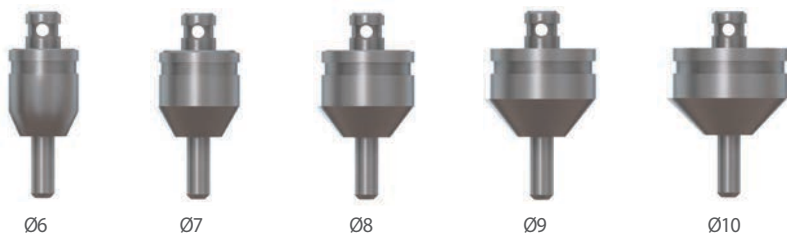
### Guide Pole



To be used in combination with the guide wheel

Code.No  
DGWID20

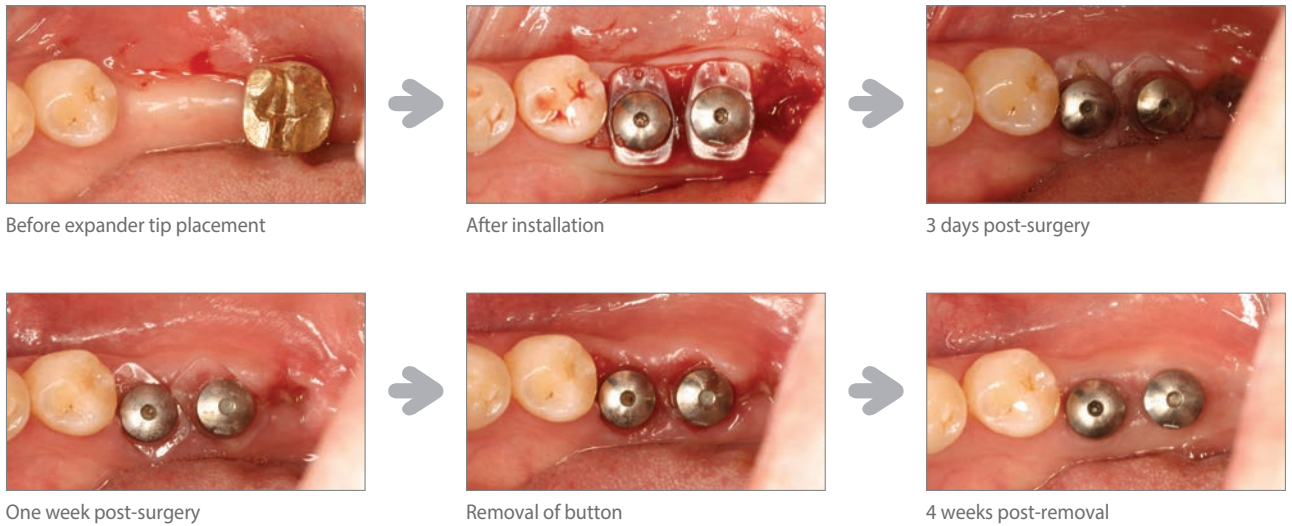
### Guide Pin



\* Used to create an opening for the proposed location of the implant tooth after drilling  
\* Useful for cases involving more than two fixtures

Code.No	DGWGP6	DGWGP7	DGWGP8	DGWGP9	DGWGP10
Size	Ø6	Ø7	Ø8	Ø9	Ø10

## Louis Button | An easier and safer way of increasing attached gingival



## Louis Button (Attached Gingival Formation)

Product Name	Code No.
Louis Button	DLB ****

### Equipment Specifics

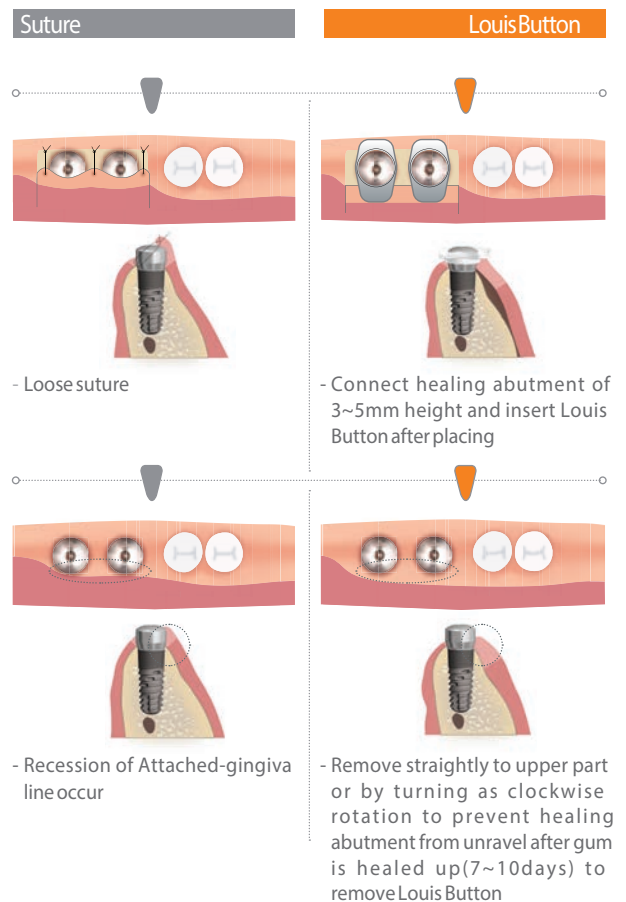


\* The cuff height of the healing abutment should be greater than 3mm

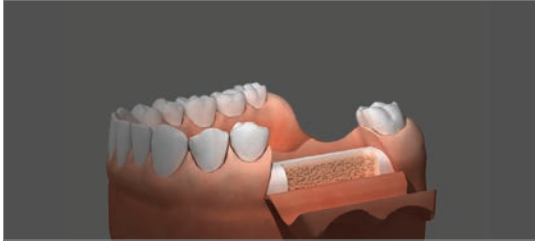
### LouisButton Specification

Single		Twin	
Code No.	Diameter	Code No.	Diameter
DLBS45	Ø4.5	DLBT45	Ø4.5
		DLBT50	Ø5.0
		DLBT525	Ø5.25
DLBS55	Ø5.5	DLBT55	Ø5.5
DLBS60	Ø6.0	DLBT60	Ø6.0
DLBS65	Ø6.5	DLBT65	Ø6.5

10EA/1BOX

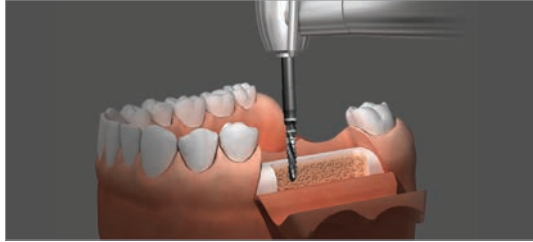


# OneQ Drilling Manual



## 1. Incision

- Make an incision in the area where the implant will be placed.



## 2. Lindemann Drill

- Make a guide hole for the initial drilling by using Lindemann drill.
- We recommend 1,000RPM while drilling as well as continued drilling that reaches the bottom of the laser-marked line.



## 3. Straight Drill

- We recommend 800-1,000RPM while drilling as well as continued drilling that reaches the laser-marked line based on the depth.
- ※ RPM can be set diversely depending on the bone density.
- Choose the appropriate drill that is equal to the length of fixture to be placed and then drilling that continues to the own stopper.



## 4. Countersink

- We recommend 800-1,000RPM while drilling.
- ※ RPM can be set diversely depending on the bone density.
- In case of D1-D2 bone, drill until upper line of laser marking, in case of D3-D4 bone, drill until lower line of laser marking.



## 5. Fixture Placement [1]

- By using s-Clean No-Mount Driver, a component of Surgical Kit Set, place the fixture.
- We recommend 30Ncm under 20RPM while placing.
- ※ Set the maximum torque to 40Ncm.



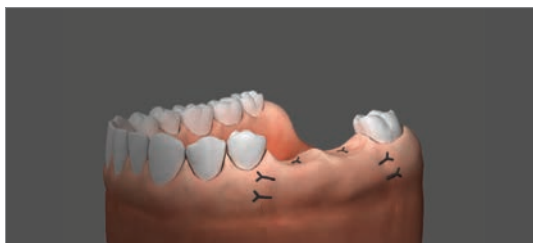
## 6. Fixture Placement [2]

- By using Torque Ratchet of Surgical Kit Set, connect s-Clean Ratchet Driver and then place the fixture.
- Placing that continues to the laser-marked line on the driver.
- It should be caution against too excessive torque.



## 7. Cover Screw Connection

- Remove the cover screw from the Ampoule case using a 1,25 hex hand driver, and then connect the screw to the fixture.
- When connecting the cover screw to the fixture, set the torque to 5-8Ncm.



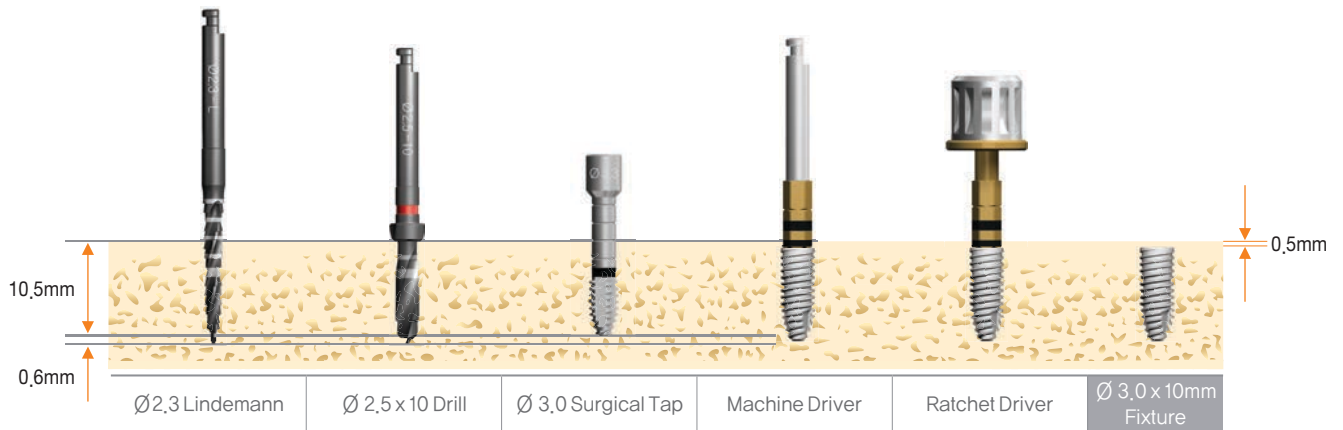
## 8. Suture

- After connecting the cover screw to the fixture, suture the incised gingiva.
- Make sure there is enough attached gingiva for stability.

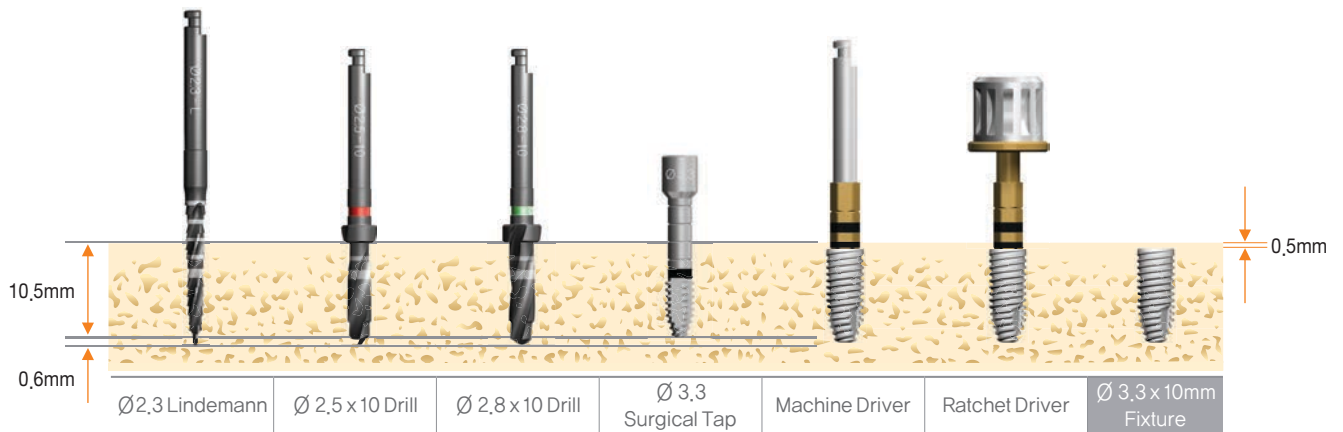
# Drilling & Fixture Placement Concept

When place fixture, Drilling has to 0.5mm deeper than fixture length and place fixture 0.5mm lower than bone level.

## Ø 3.0 x 10mm

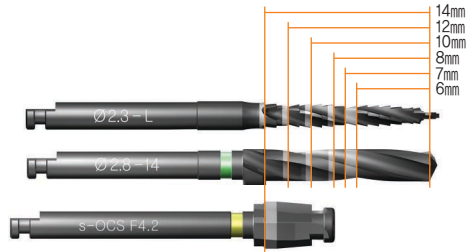


## Ø 3.3 x 10mm

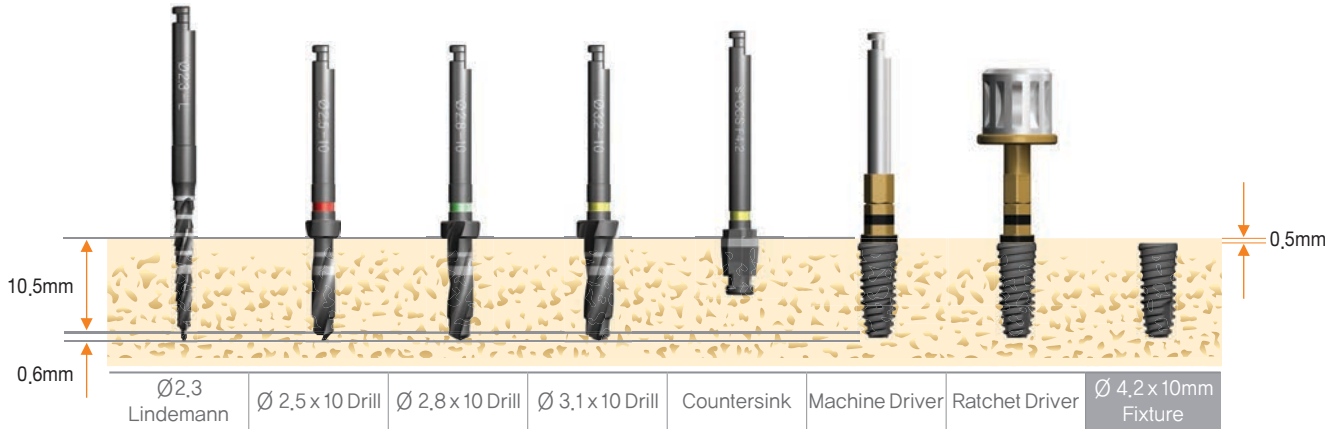


## Ø 3.7 x 10mm

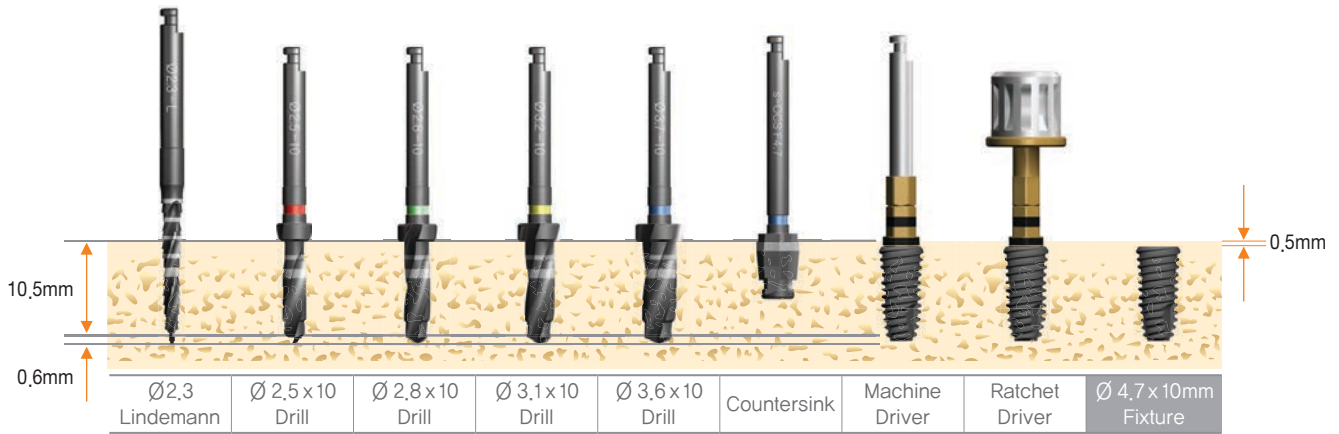




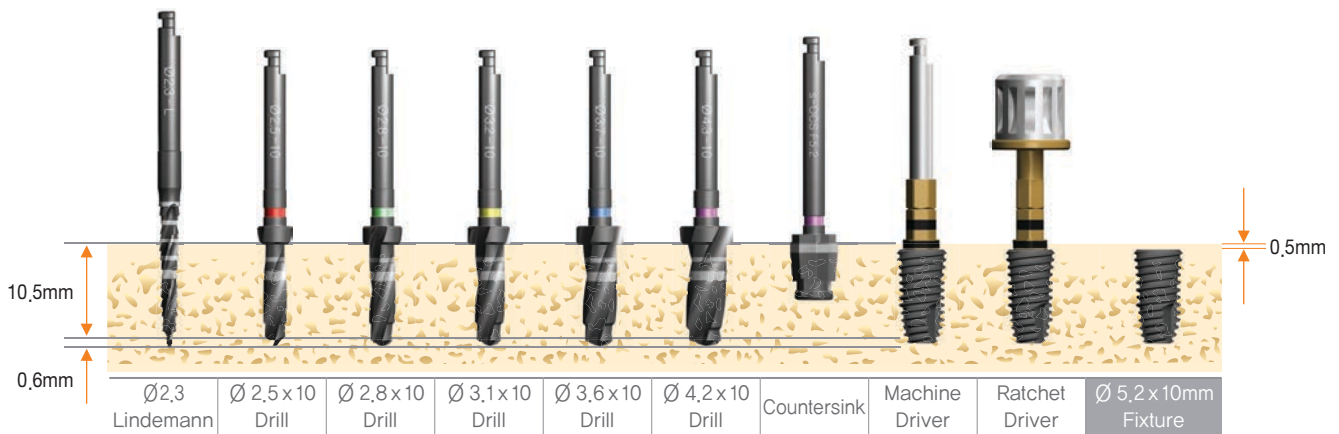
### Ø 4.2 x 10mm



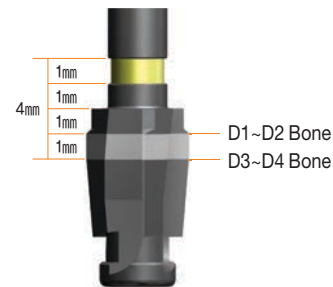
### Ø 4.7 x 10mm



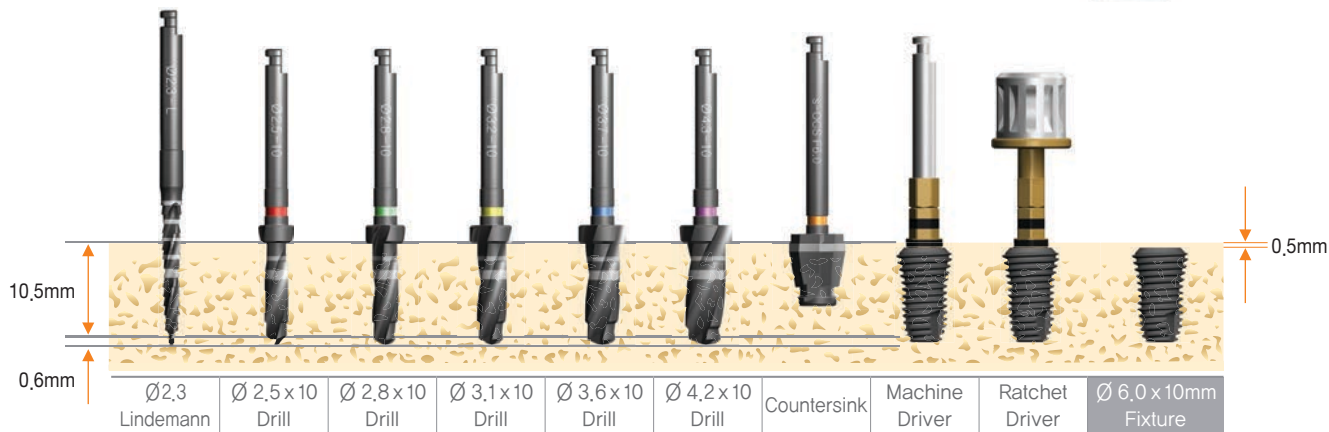
### Ø 5.2 x 10mm



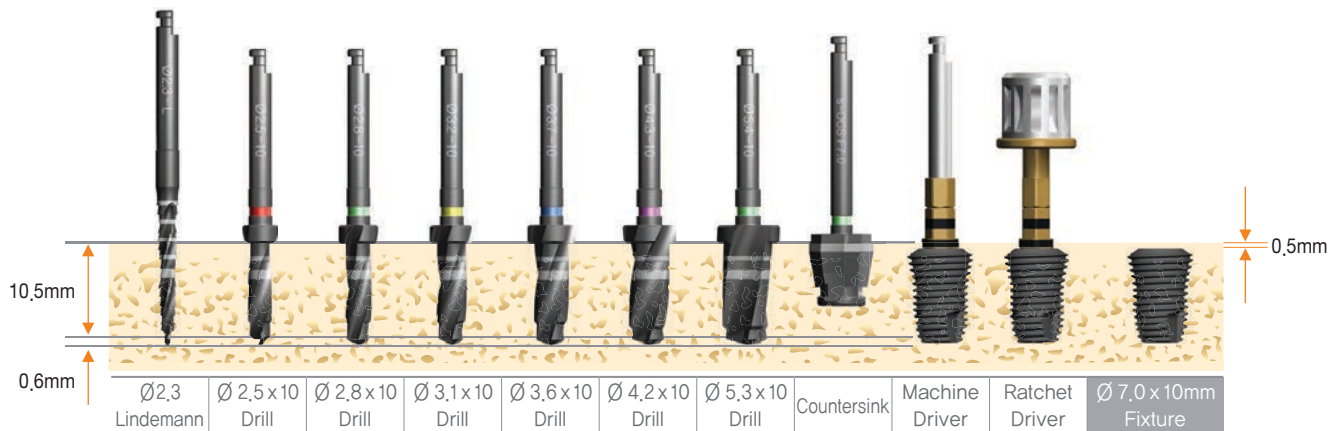




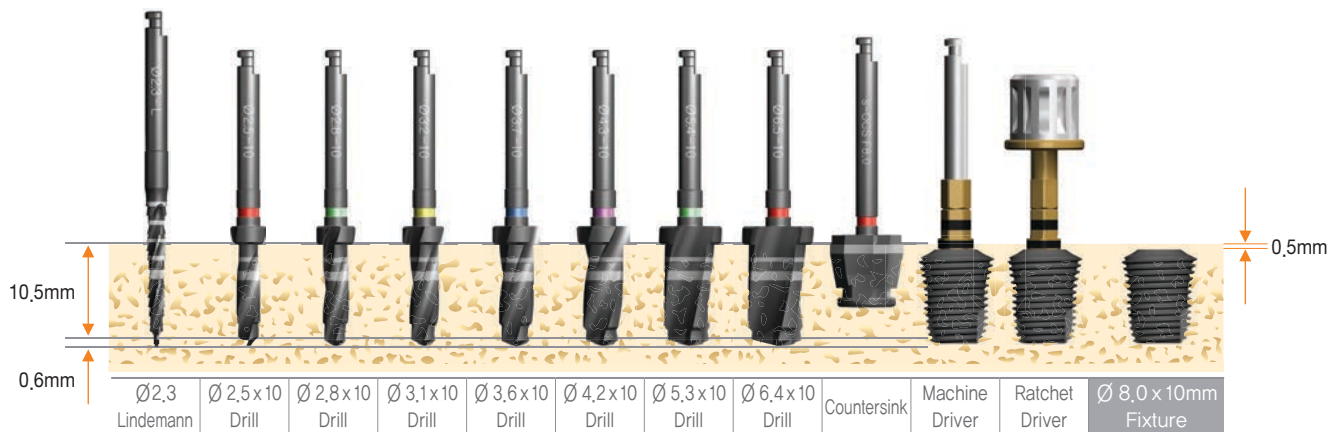
### Ø 6.0 x 10mm



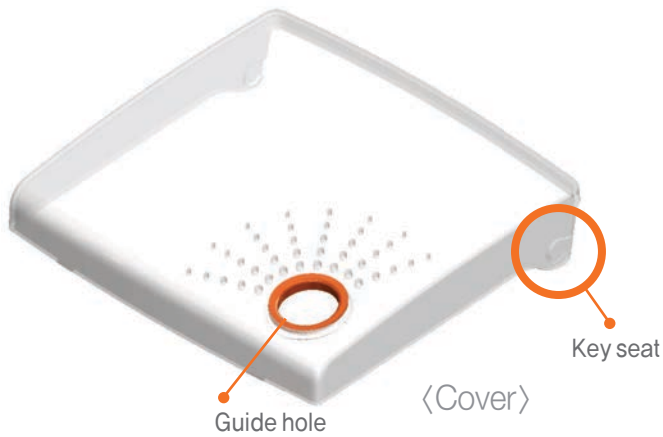
### Ø 7.0 x 10mm



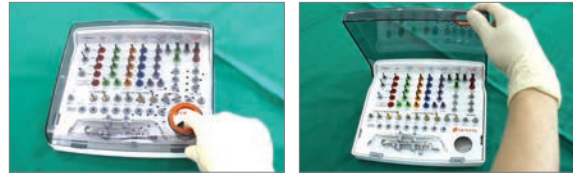
### Ø 8.0 x 10mm



# Surgical Kit Instruction



## SEPARATION



Please raise the cover with finger in the guide hole,



After raising the cover at a right angle, please separate it.

## ASSEMBLING



After raising the cover at a right angle, please assemble it with a key seat properly.

## REMOVAL



Please raise the middle tray with finger in the guide hole as following this arrow,

## ASSEMBLING



The lower part of middle tray is inserted first, and please press the upper part.

# OneQ-SL Premium Surgical Kit



DLIND23L  
DLIND23S  
Option

Lindemann Drill



DPD

Point Drill



DDE

Drill Extension



DOTD2508 DOTD2808 DOTD3108 DOTD3608 DOTD4208 DOTD5312  
 DOTD2510 DOTD2810 DOTD3110 DOTD3610 DOTD4210 DOTD6412  
 DOTD2512 DOTD2812 DOTD3112 DOTD3612 DOTD4212 DSPD57  
 DOTD2514 DOTD2814 DOTD3114 DOTD3614 DOTD4214 Option

OneQ straight Twist Drill

Fixture  
Ø3.0, 3.3 Only



DSOFST30  
DSOFST33  
Option

OneQ Surgical Tap



DSOCS39 DSOCS60  
 DSOCS42 DSOCS70  
 DSOCS47 DSOCS80  
 DSOCS52

OneQ Countersink

Probe Depth Gauge



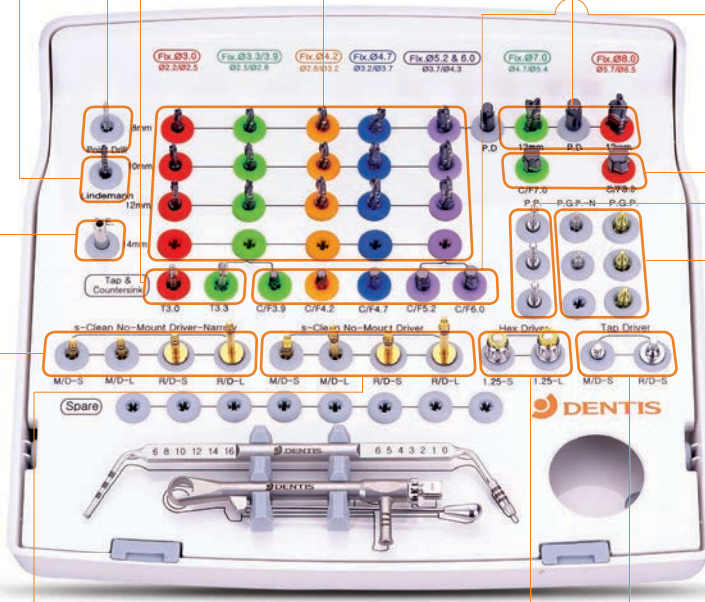
DPDG

Torque Ratchet



DTR

Code - DSOK



s-Clean No-Mount Driver & Ratchet Driver



DSNDSS DSRDSS  
 DSNDSL DSRDSL  
 Option Option

s-Clean No-Mount Driver & Ratchet Driver



DSNDS DRMDSS  
 DSNDL DRMDSL

Hex Driver



DRHDS125  
 DRHDL125

Tap Driver



DMHD24 DRHDS24  
 Option Option

Path Guide Pin for s-Clean Fixture



DSPGPM DSPGPR

Parallel Pin for Drill



DPPD

# OneQ-SL Advanced Surgical Kit



DPD



DLIND23L



DDE



DOTD2514 DOTD2814 DOTD3114 DOTD3614 DOTD4214



DSOCS39  
DSOCS42  
DSOCS47  
DSOCS52

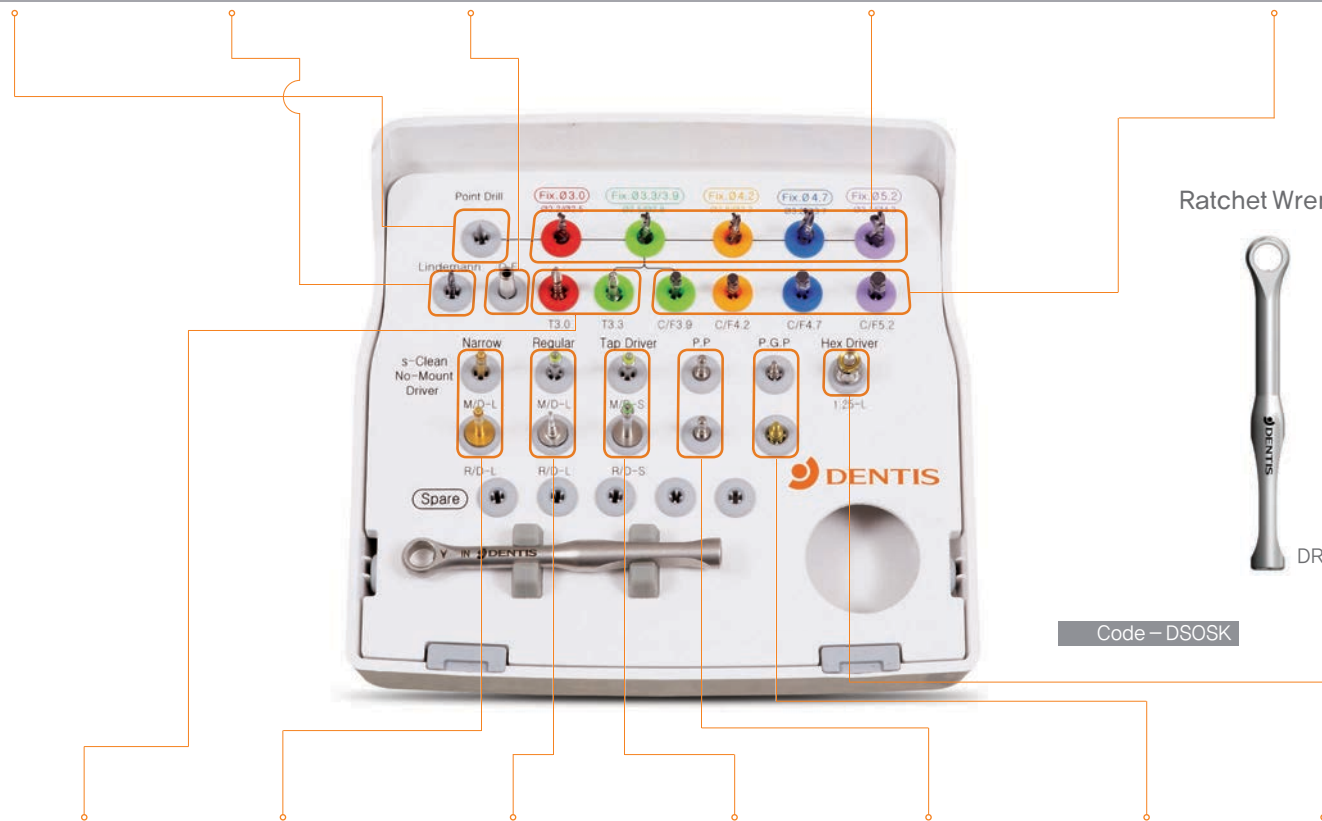
Point Drill

Lindemann Drill

Drill Extension

OneQ straight Twist Drill

OneQ  
Countersink



Ratchet Wrench



DRW

Code - DSOSK

OneQ  
Surgical Tap

Fixture  
Ø3.0, 3.3 Only



DSOFST30  
DSOFST33

s-Clean  
No-Mount Driver  
& Ratchet Driver



DSNDSS DSRDSS  
DSNDSL DSRDSL

s-Clean  
No-Mount Driver  
& Ratchet Driver



DSNDL DRMDSL

Tap Driver



DMHD24 DRHDS24

Parallel Pin  
for Drill



DPPD

Path Guide Pin  
for s-Clean Fixture



DSPGPM DSPGPR

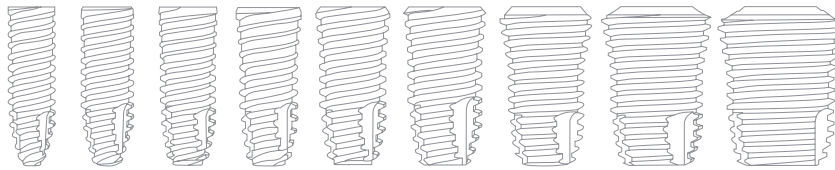
Hex Driver

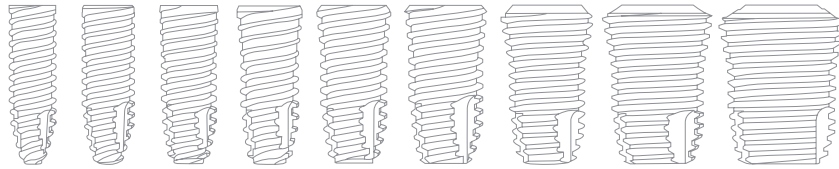


DRHDS125

One System for All  
Implant Indications

**OneQ-SL**





---

[www.dentisusa.com](http://www.dentisusa.com)

---



DENTIS Co., LTD.  
(Headquarters)

---

Tel. +82-53-583-2804~5  
Fax. +82-53-583-2806  
99, Seongseoseo-Ro, Dalseo-Gu, Daegu, Korea

---

DENTIS USA

---

Tel. +1-323-677-4363  
Fax. +1-323-677-4366  
6 Centerpointe Drive, Suite 600, La Palma, CA 90623

---