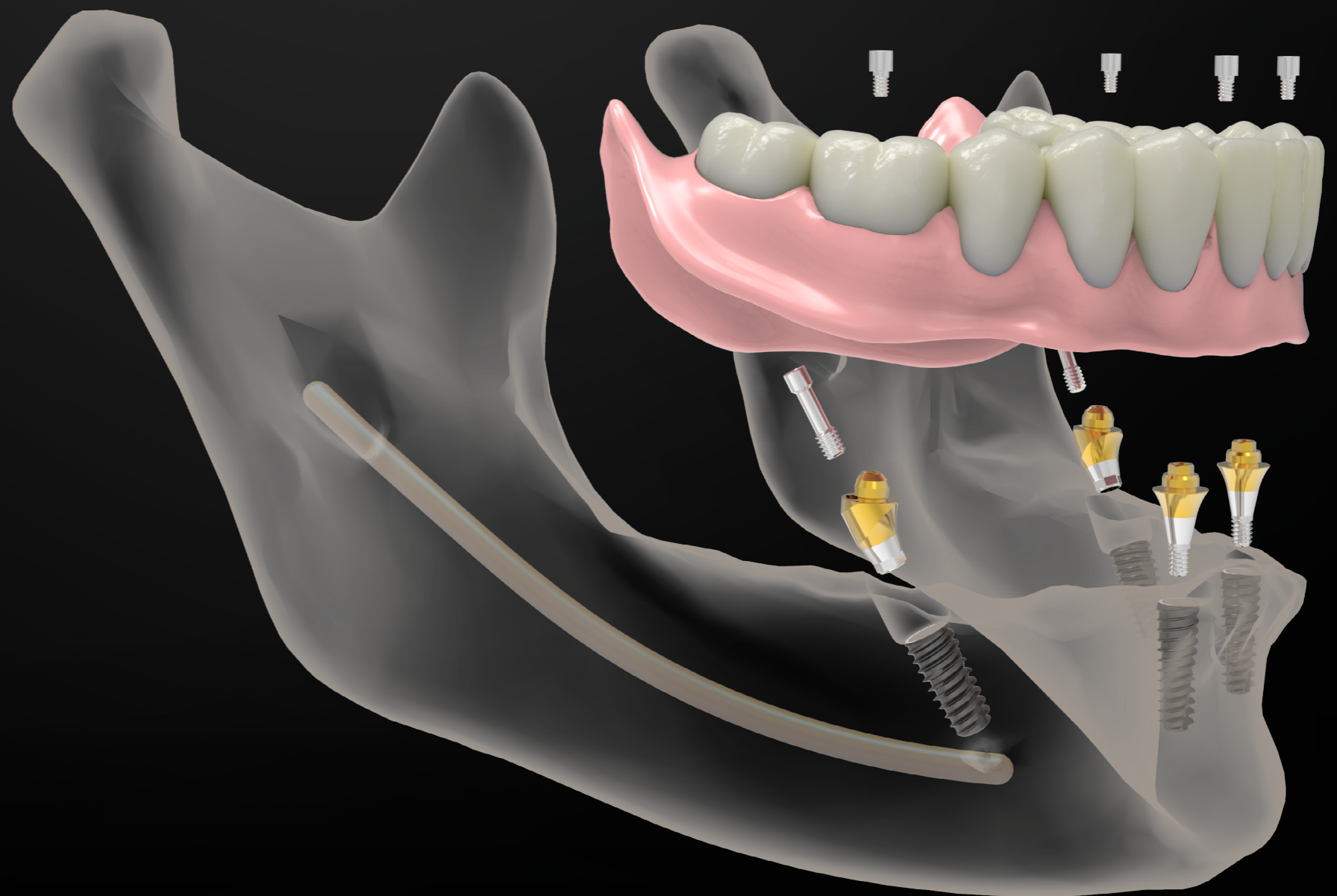


# DENTIS Multi-Unit Abutment

[www.dentisimplant.co.kr](http://www.dentisimplant.co.kr)



 DENTIS



Tel. +82-1899-2804 | Fax. +82-53-583-2806  
99, Seongseoseo-Ro, Dalseo-Gu, Daegu, Korea



Tel. +1-323-677-4363 | Fax. +1-323-677-4366  
11095 Knott Ave. ABC, Cypress CA 90630



Tel. +021-5111-3828 | Fax. +021-5111-3828  
上海市长宁区中山西路933号2205室



Tel. +34 91 072 62 27 | <https://dentiseurope.com/>  
Travesía C. Doctor Fleming, 16



Tel. +351 21 2696 700 | [www.dentisportugal.com](http://www.dentisportugal.com)  
Taguspark, Av. Prof. Dr. Cavaco Silva C1 Piso 2B, 2740-120 Porto Salvo

©2024 DENTIS Co.,Ltd.  
All Right Reserved.  
Specifications are subject to change without notice.  
Trademarks are the property of DENTIS Co., Ltd. Or their respective owners.

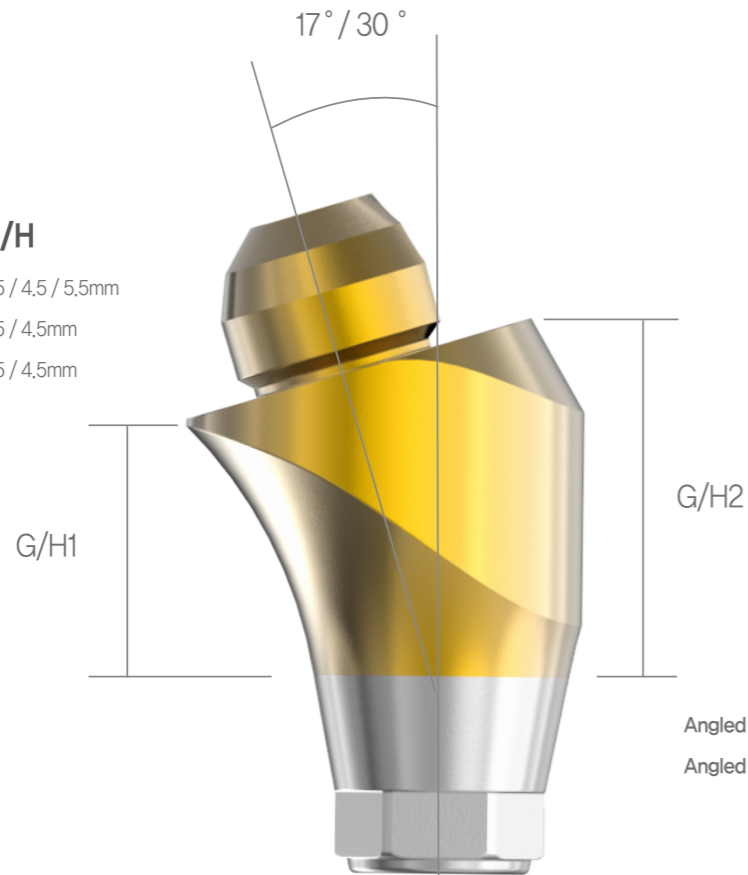
D-C-MUA-V4-202405-ENG

# Multi-Unit Abutment



## Wide range of G/H

- Straight 1.5 / 2.5 / 3.5 / 4.5 / 5.5mm
- Angled 17° 1.5 / 2.5 / 3.5 / 4.5mm
- Angled 30° 1.5 / 2.5 / 3.5 / 4.5mm

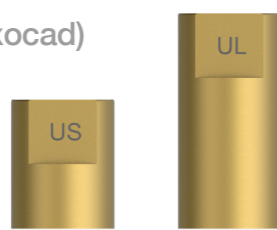


- Angled 17° 3 / 4 / 5 / 6mm
- Angled 30° 4 / 5 / 6 / 7mm

**Connection**  
Narrow, Mini, Regular

## Composition of Scanbody and Digital Lab Analog

- Digital Work-Flow is available
- Exclusive Library (3shape / Exocad)



Scanbody



MU Digital Lab Analog

# Prosthetic Flow Diagrams for MU Abutment System

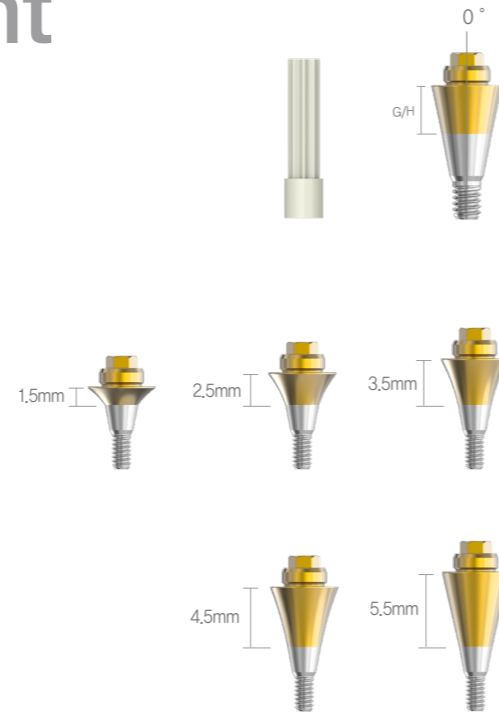
Description	Flow	Tool
Screw	Cylinder Screw	1.25 Hex Driver
Cylinder	CCM, Temporary	
Lab Analog		
Impression Coping & Scanbody	Transfer, Pick-up, Scanbody	1.25 Hex Driver
Mu Healing Cap		1.25 Hex Driver
Abutment	Straight, Angled	Straight driver, 1.25 Hex Driver
	Cover Screw, Healing Abutment	1.25 Hex Driver
SQ Fixture	SQ Ø3.5~4.0, SQ Ø4.5~8.0	No-Mount Driver, Ratchet Driver

# Multi-Unit Abutment Line-Up

## MU Straight Abutment Recommended Torque: 30Ncm

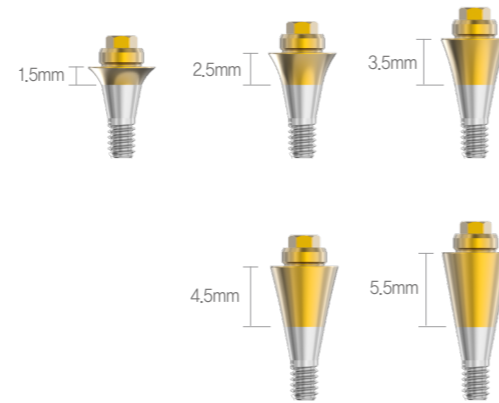
### Narrow

Diameter	Hex Size	Cuff	Code No.
Ø4.8	Sole Type	1.5	DSMUSN15S
		2.5	DSMUSN25S
		3.5	DSMUSN35S
		4.5	DSMUSN45S
		5.5	DSMUSN55S



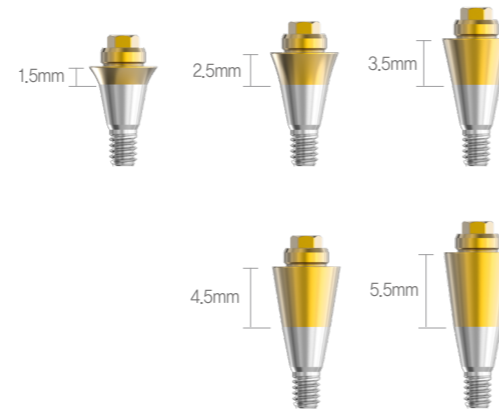
### Mini

Diameter	Hex Size	Cuff	Code No.
Ø4.8	Sole Type	1.5	DSMUSM15S
		2.5	DSMUSM25S
		3.5	DSMUSM35S
		4.5	DSMUSM45S
		5.5	DSMUSM55S



### Regular

Diameter	Hex Size	Cuff	Code No.
Ø4.8	Sole Type	1.5	DSMUS15S
		2.5	DSMUS25S
		3.5	DSMUS35S
		4.5	DSMUS45S
		5.5	DSMUS55S



## s-Clean MU Angled Abutment

### Narrow Recommended Torque: 20Ncm

Diameter	Hex Size	Angled	G/H1	G/H2	Code No.
Ø4.8	1.7 Double Hex	17	1.5	3	DSMUAN1715S
			2.5	4	DSMUAN1725S
			3.5	5	DSMUAN1735S
			4.5	6	DSMUAN1745S
		30	1.5	4	DSMUAN3015S
			2.5	5	DSMUAN3025S
			3.5	6	DSMUAN3035S
			4.5	7	DSMUAN3045S

Screw Code : DSMUASN

### Mini Recommended Torque: 20Ncm

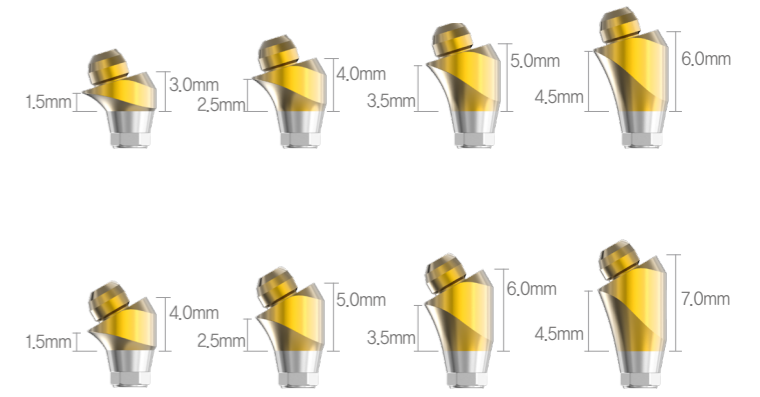
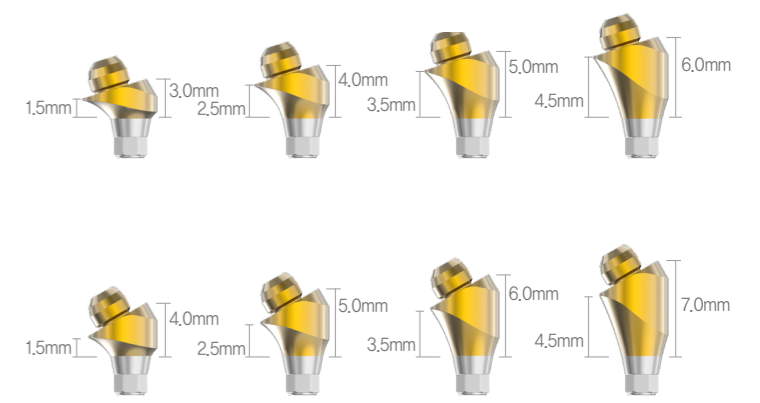
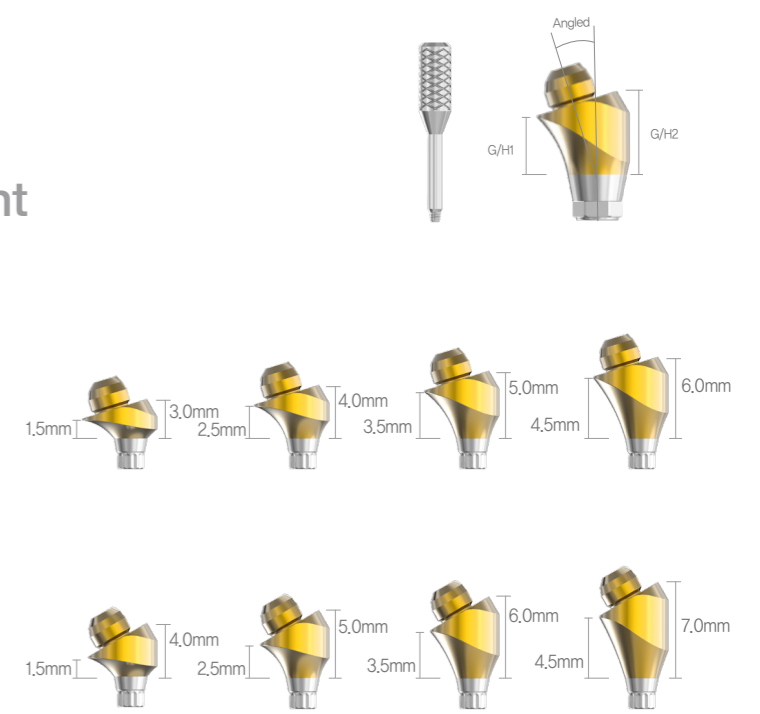
Diameter	Hex Size	Angled	G/H1	G/H2	Code No.
Ø4.8	Hex 2.1	17	1.5	3	DSMUAM1715S
			2.5	4	DSMUAM1725S
			3.5	5	DSMUAM1735S
			4.5	6	DSMUAM1745S
		30	1.5	4	DSMUAM3015S
			2.5	5	DSMUAM3025S
			3.5	6	DSMUAM3035S
			4.5	7	DSMUAM3045S

Screw Code : DSMUASM

### Regular Recommended Torque: 30Ncm

Diameter	Hex Size	Angled	G/H1	G/H2	Code No.
Ø4.8	Hex 2.5	17	1.5	3	DSMUA1715S
			2.5	4	DSMUA1725S
			3.5	5	DSMUA1735S
			4.5	6	DSMUA1745S
		30	1.5	4	DSMUA3015S
			2.5	5	DSMUA3025S
			3.5	6	DSMUA3035S
			4.5	7	DSMUA3045S

Screw Code : DSMUAS

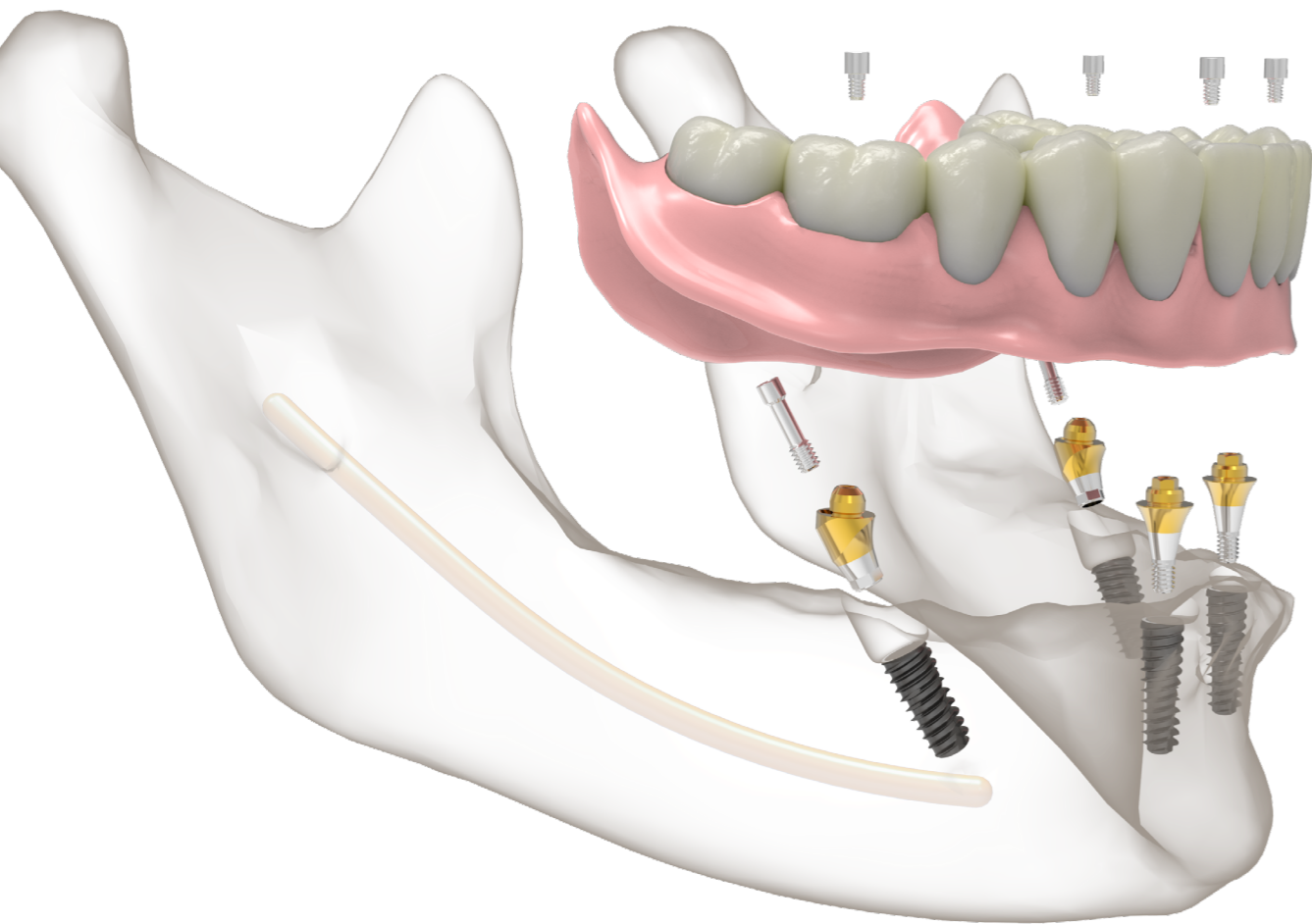


# Multi-Unit Abutment

DENTIS Multi Unit Abutment is designed for fixed and screw-retained restoration of partially and completely edentulous arches, including the All-on-4 treatment. The system consists of straight and angled (17° and 30°) abutments with a diverse choice of gingiva heights to match the thickness of the soft tissue and depth of implant placement.

By placing four fixtures in the patient's mouth, a hybrid denture which is the most similar oral condition with natural teeth. The most cost-effective treatment is available with Multi Unit Abutments.

In general, two of the MU straight abutments for anterior and two of the MU angled type abutments for posterior positions are connected.



## Features

- All-On-4 treatment is possible with MU straight and angled type abutments.
- As for All-On-4 concept, two fixtures are placed at an angle in the posterior and disperse vertical load. The other two fixtures are placed in the anterior area and retains a hybrid denture.
- The scanbody makes the digital work-flow possible.
- It's compatible with Nobel Biocare Multi-Unit System.

## MU Straight Abutment Driver

Code No.

DSMUSD

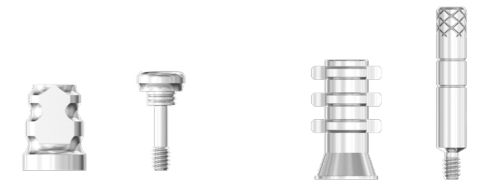
※ For fixing MU Straight Abutment



## Impression Coping

	Code No.
MU Transfer Coping	DSMUTICSS
MU Pick-up Coping	DSMUPICSS

Transfer Screw : DSMUTICS  
Pick-up Screw : DSMUPICS



## Cylinder

	Code No.
MU CCM Cylinder	DSMUCCS
MU Temporary Cylinder	DSMUTCS

MU Cylinder Screw : DSMUCS



## MU Scanbody

Code No.

\*DSMUSBSS

\*DSMUSBLS



MU Scanbody Screw : DSMUSS

## MU Healing Cap

Code No.

DSMUHC

DSMUHC58

DSMUHC68



## MU Digital Lab Analog

Code No.

MU Digital Lab Analog

DSMUSDL

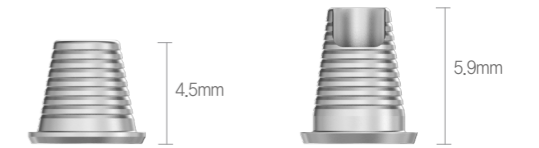


## MU Ti Base

Code No.

DSMUTBSS

DSMUTBLS

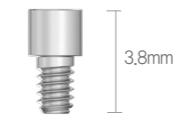


MU Cylinder Screw : DSMUCS

## MU Cylinder Screw

Code No.

DSMUCS



---

Note

---



---

Note

---

