

DENTIS BONE PROFILER KIT



Tel. +82-1899-2804 | Fax. +82-53-583-2806
99, Seongseoseo-Ro, Dalseo-Gu, Daegu, Korea



Tel. +1-323-677-4363~5 | Fax. +1-323-677-4366
6 Centerpointe Drive, Suite 600 La Palma CA 90623



Tel. +021-5111-3828 | Fax. +021-5111-3828
上海市长宁区中山西路933号2205室



Tel. +34 91 072 62 27 | <https://dentiseurope.com/>
Travesía C. Doctor Fleming, 16



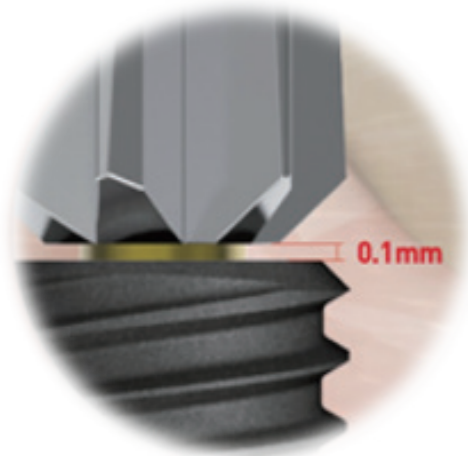
Tel. +351 21 2696 700 | www.dentisportugal.com
Taguspark, Av. Prof. Dr. Cavaco Silva C1 Piso 2B, 2740-120 Porto Salvo

©2024 DENTIS CO.,LTD.
All Right Reserved. Specifications are subject to change without notice. Trademarks are the property of DENTIS CO., LTD. Or their respective owners. Or their respective owners.

D-C-SQSL-V1-202401-ENG



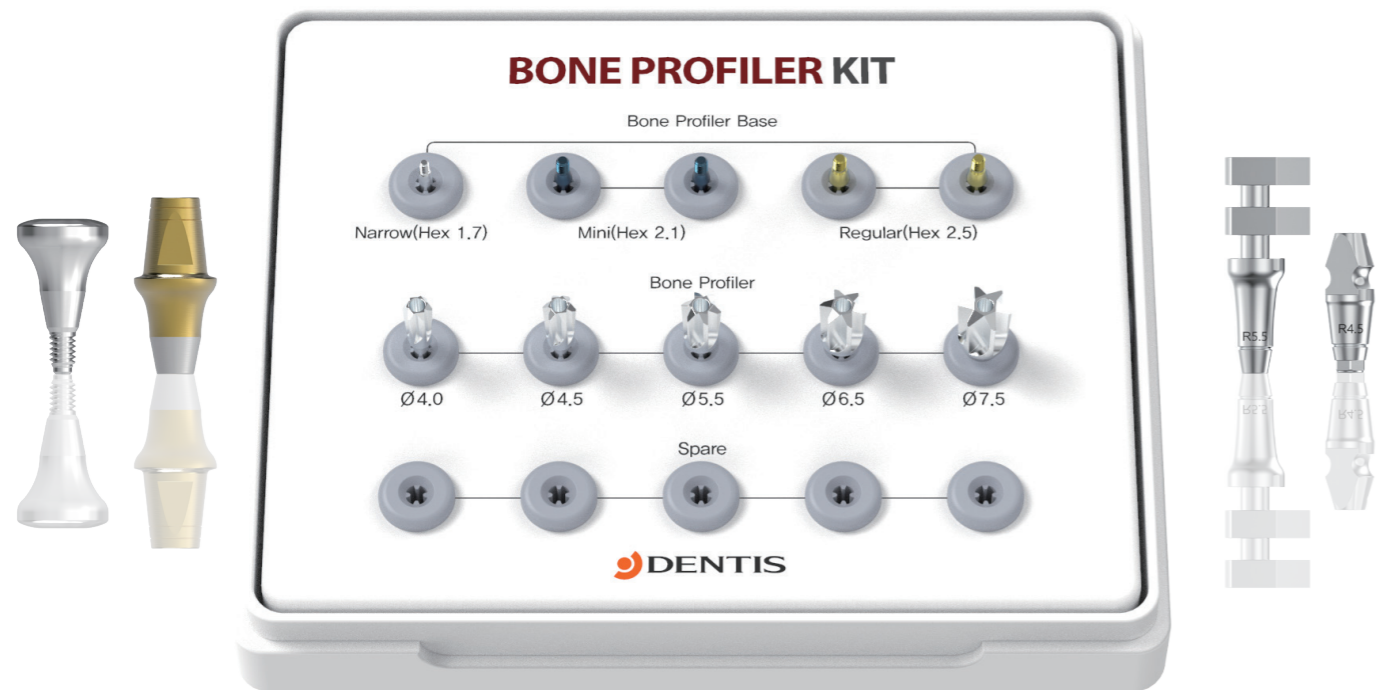
BONE PROFILER KIT



NO > Stress, implant Damage, Interference

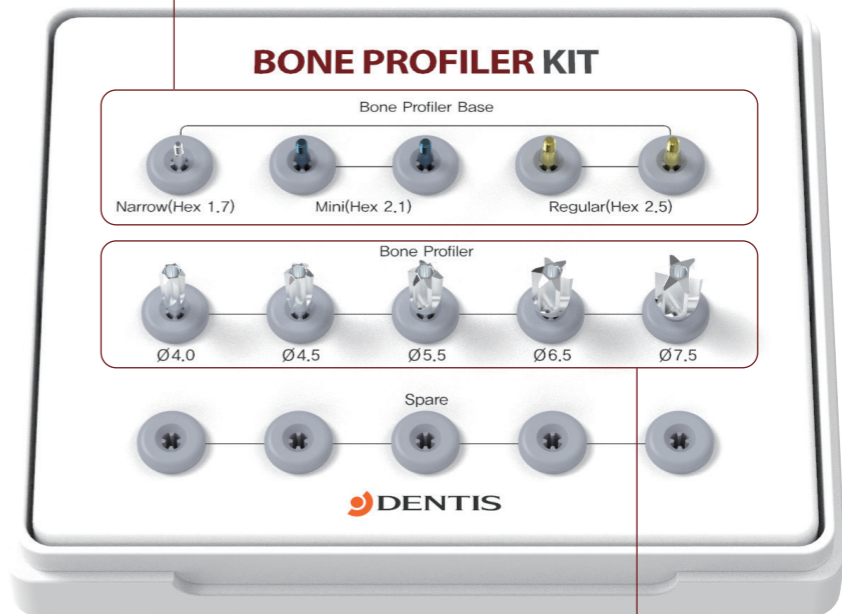
Remove bone safely without damaging the implant platform.

- ⊕ Precision
- ⊕ Simplicity
- ⊕ Optimal Design

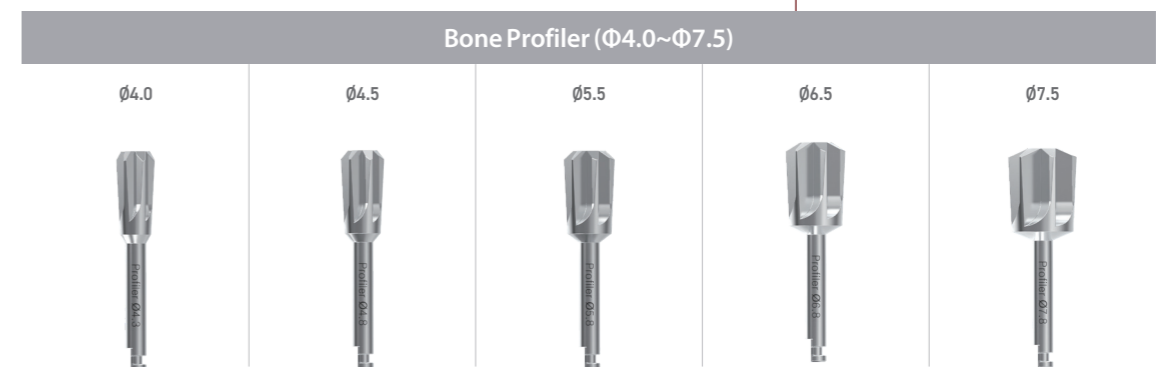


In situations where the abutment is not fully seated

Bone Profiler Base

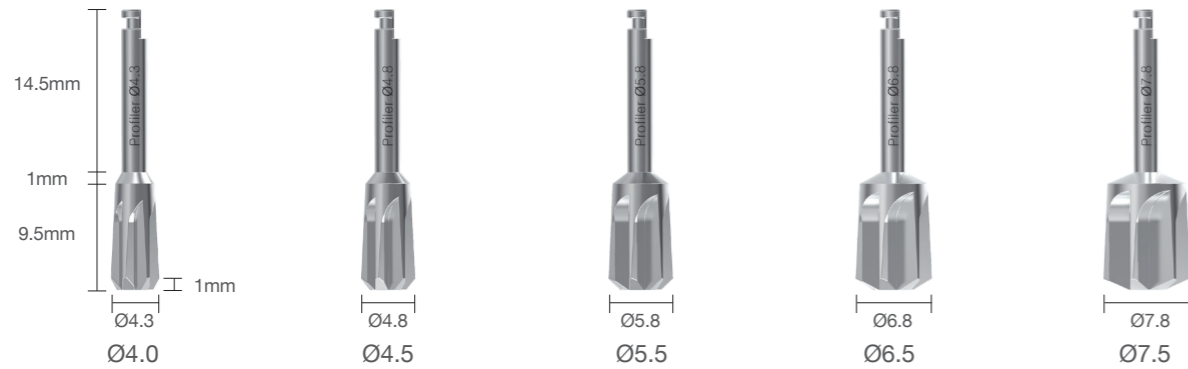


Bone Profiler



DIMENSIONS

Bone Profiler



Bone Profiler Base



Features

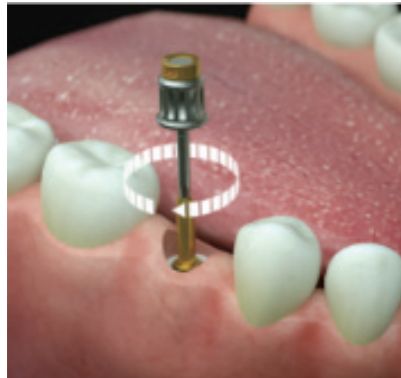
- Various diameters compared to other companies (Ø4.0~7.5)
- Safety bone removal even with high RPM (excellent cutting power) without damaging the implant platform.
- It's compatible with every DENTIS implant lineup.

The DENTIS Bone Profiler kit assists in bone removal around the coronal aspect of the implant, Allowing for proper seating of every prosthetic component such as healing Abutments, impression copings and final restorations.

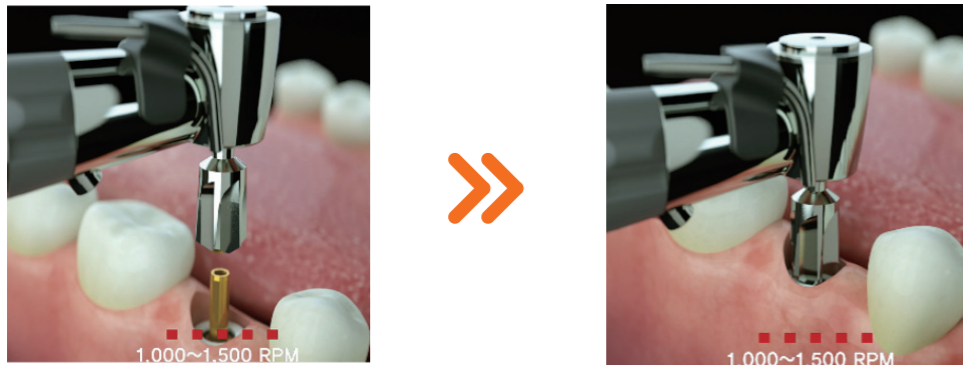
NO	Shape	Product Name	Qty Per Kit
1		Bone Profiler Base (Narrow/Hex 1.7)	1EA
2		Bone Profiler Base (Mini/Hex 2.1)	2EA
3		Bone Profiler Base (Regular/Hex 2.5)	2EA
4		Bone Profiler(Ø4.0)	1EA
5		Bone Profiler(Ø4.5)	1EA
6		Bone Profiler(Ø5.5)	1EA
7		Bone Profiler(Ø6.5)	1EA
8		Bone Profiler(Ø7.5)	1EA
9		I-FIX Bone Profiler (Ø4.0)	Optional
10		BONE PROFILER KIT	SET

DIRECTIONS

1. First, Attached the bone profiler base using the 1.25 hex driver Clockwise.

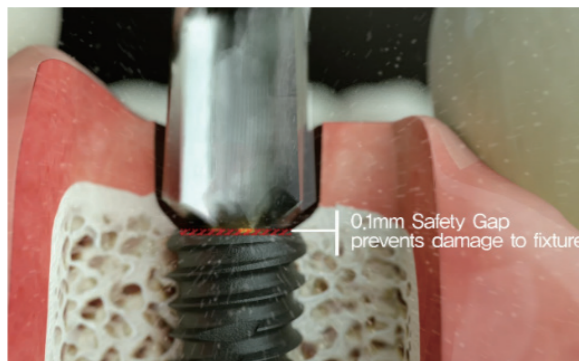


2. Once the base is connected into the placed implant, Align the Bone Profiler and begin rotating the Bone Profiler Clockwise.



* Recommended rpm
1,000~1,500 RPM

3. The Bone Profiler will gradually cut away the excess bone from around the coronal aspect of the implant to allow prosthetic components to fully seat.



0.1mm Safety Gap prevents damage to fixture

0.1mm Safety Gap prevents damage to the implant platform

4. Remove drill & base

Excessive amounts of bone are removed precisely Counterclockwise.



Note : Ensure that the implant platform is cleaned from bone remnants prior to seating the restorative component.

5. The abutment is entirely correctly seated.

