

DENTIS CAD/CAM Solution

www.dentisimplant.co.kr



 **DENTIS**



Tel. +82-1899-2804 | Fax. +82-53-583-2806
99, Seongseoseo-Ro, Dalseo-Gu, Daegu, Korea



Tel. +1-323-677-4363 | Fax. +1-323-677-4366
11095 Knott Ave. ABC, Cypress CA 90630



Tel. +021-5111-3828 | Fax. +021-5111-3828
上海市长宁区中山西路933号2205室



Tel. +34 91 072 62 27 | <https://dentiseurope.com/>
Travesía C. Doctor Fleming, 16

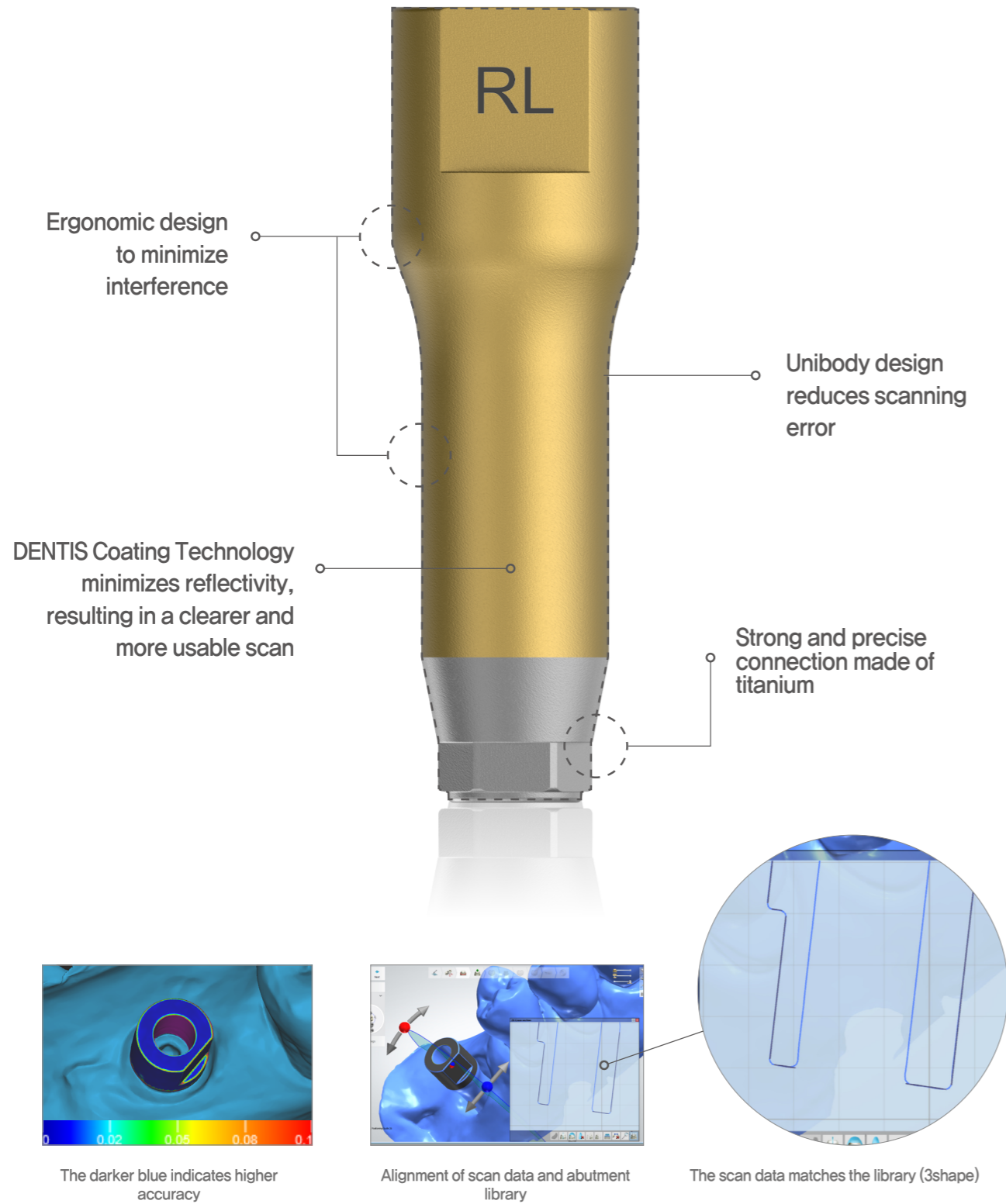
©2023 DENTIS Co.,Ltd.
All Right Reserved.
Specifications are subject to change without notice.
Trademarks are the property of DENTIS Co., Ltd. Or their respective owners.

D-C-CADC-V2-202307-ENG

ScanBody

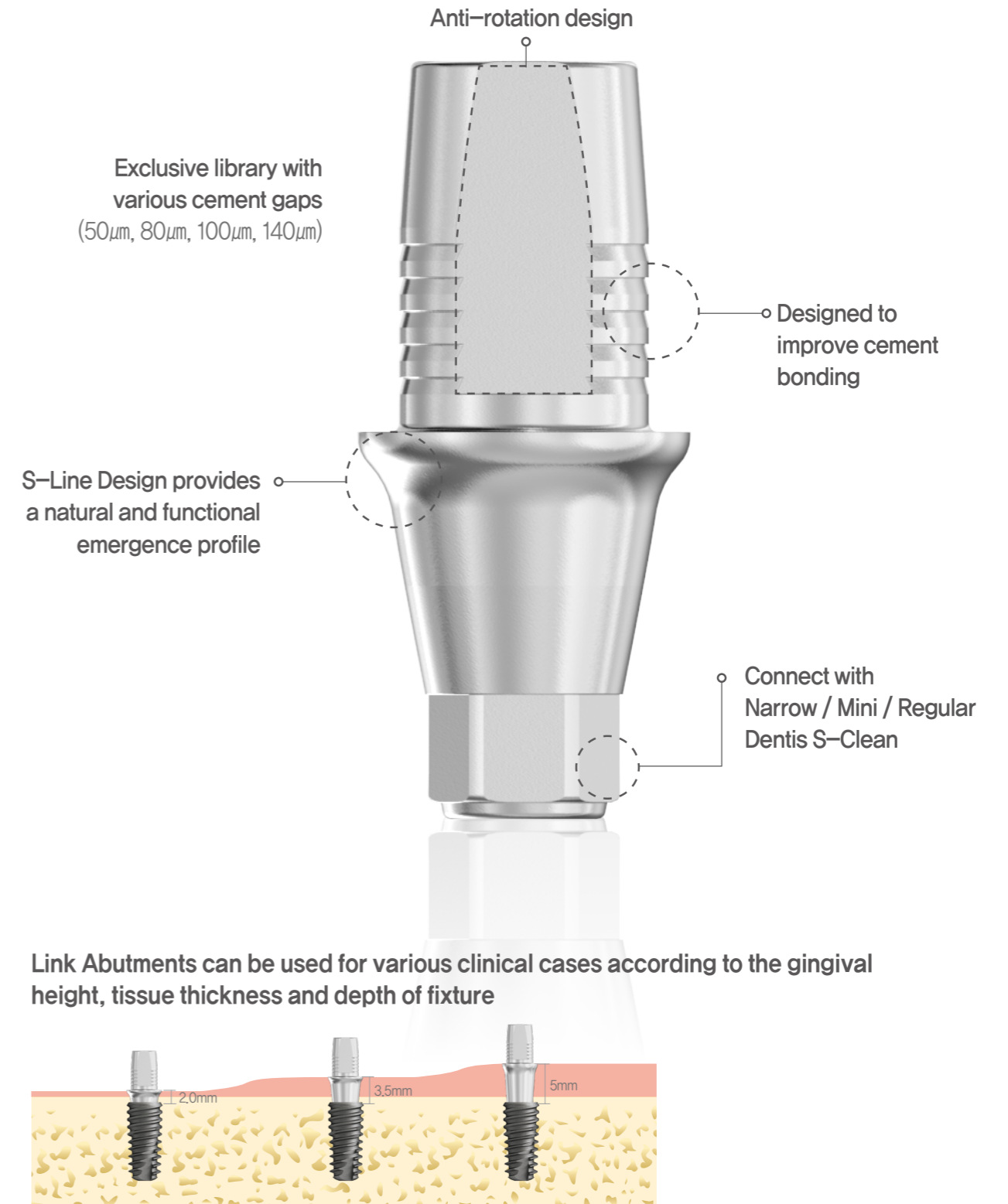


Highly Accurate Library

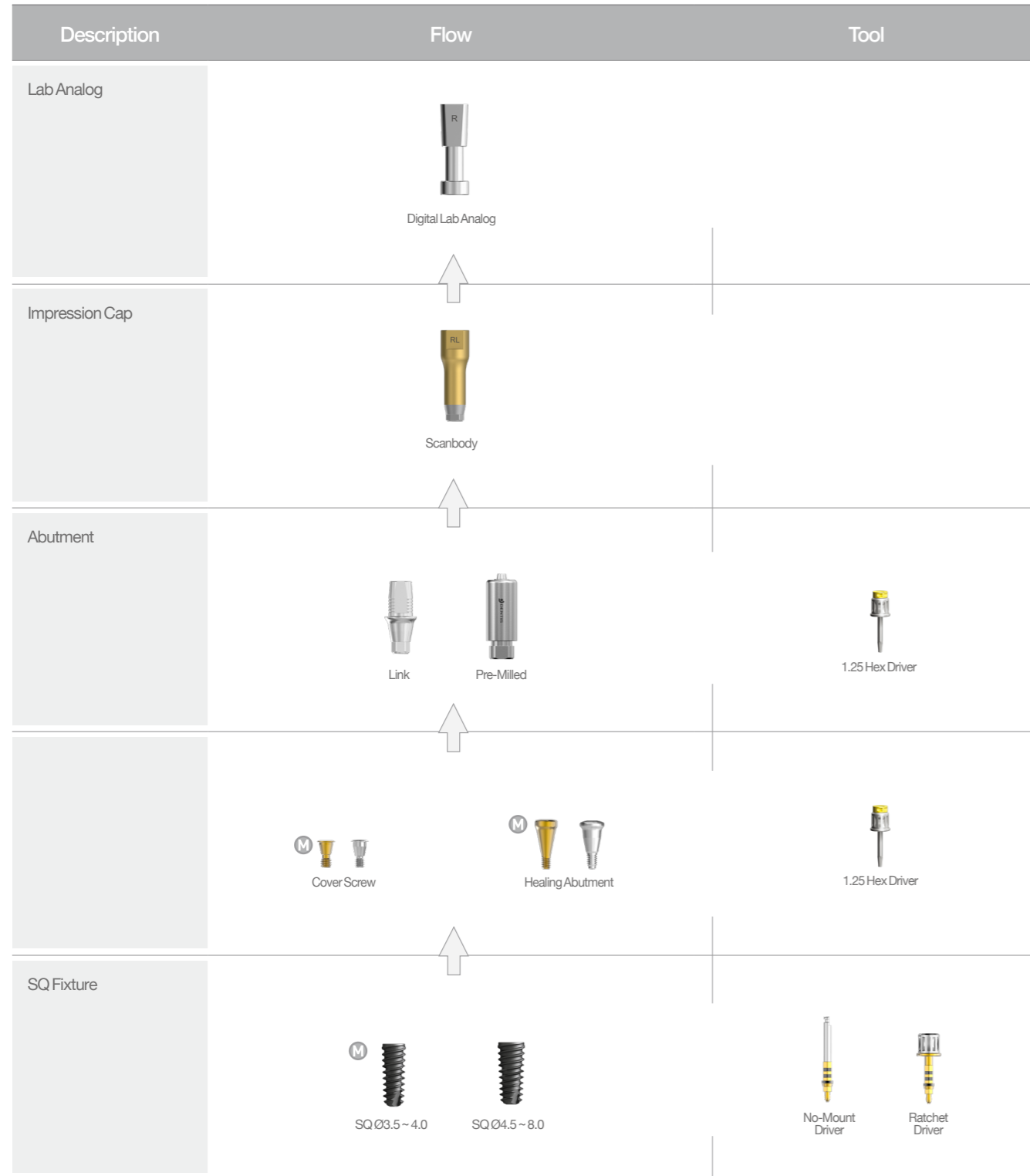


※ You can download Library at (www.dentis.co.kr) ▶ Product Information ▶ Scanbody.

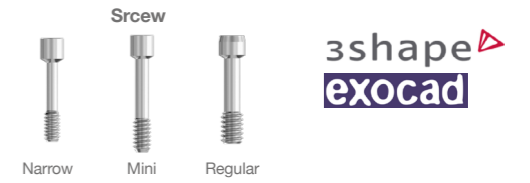
Link Abutment



Diagrams for Digital System



ScanBody



Submerged

Narrow

Diameter	Length	Type	Code No.
Ø4.0	8mm	Narrow Short	DSSBNSS
	12mm	Narrow Long	DSSBNLS
	16mm	Narrow Extra Long	DSSBNELS

Screw : DSSBSS



Mini

Diameter	Length	Type	Code No.
Ø3.8	8mm	Mini Short	DSSBMSS
	12mm	Mini Long	DSSBMLS
	16mm	Mini Extra Long	DSSBMELS

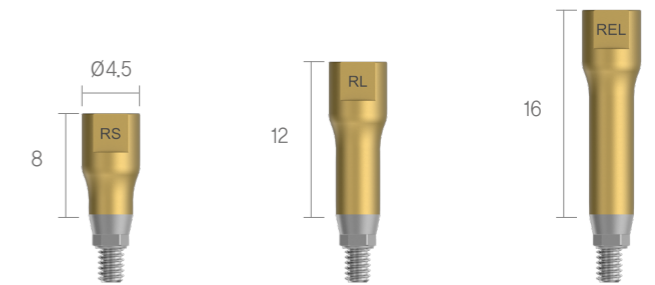
Screw : DSSBSM



Regular

Diameter	Length	Type	Code No.
Ø4.5	8mm	Regular Short	DSSBRSS
	12mm	Regular Long	DSSBRLS
	16mm	Regular Extra Long	DSSBRELS

Screw : DSSBS



Pre-Milled Abutment

Submerge A-TYPE(Arum)

Narrow

Abutment Diameter	Hex	Code No.
Ø10	Double Hex	DSCBAN10HS
	Non-Hex	DSCBAN10NS

Screw Code : DSASS

Mini

Abutment Diameter	Hex	Code No.
Ø10	Hex 2.1	DSCBAM10HS
	Non-Hex	DSCBAM10NS

Screw Code : 2DSASM

Regular

Abutment Diameter	Hex	Code No.
Ø10	Hex	DSCBA10HS
	Non-Hex	DSCBA10NS
Ø14	Hex	DSCBA14HS
	Non-Hex	DSCBA14NS

Screw Code : DSAS

Internal A-TYPE(Arum)

Regular

Abutment Diameter	Hex	Code No.
Ø10	Octa 3.1	DICBA10S
Ø14		DICBA14S
Ø10	Non-Octa	DICBA10NS
Ø14		DICBA14NS

Screw Code : DEAS

Wide

Abutment Diameter	Hex	Code No.
Ø10	Octa 3.1	DICBAW10S
Ø14		DICBAW14S
Ø10	Non-Octa	DICBAW10NS
Ø14		DICBAW14NS

Screw Code : DEAS

Screw



Submerge M-TYPE(Manix)

Narrow

Abutment Diameter	Hex	Code No.
Ø10	Double Hex	DSCBMN10HS
	Non-Hex	DSCBMN10NS

Mini

Abutment Diameter	Hex	Code No.
Ø10	Hex 2.1	DSCBMM10HS
	Non-Hex	DSCBMM10NS

Regular

Abutment Diameter	Hex	Code No.
Ø10	Hex	DSCBM10HS
	Non-Hex	DSCBM10NS
Ø14	Hex	DSCBM14HS
	Non-Hex	DSCBM14NS

Internal M-TYPE(Manix)

Regular

Abutment Diameter	Hex	Code No.
Ø10	Octa 3.1	DICBM10S
Ø14		DICBM14S
Ø10	Non-Octa	DICBM10NS
Ø14		DICBM14NS

Wide

Abutment Diameter	Hex	Code No.
Ø10	Octa 3.1	DICBMW10S
Ø14		DICBMW14S
Ø10	Non-Octa	DICBMW10NS
Ø14		DICBMW14NS



Link Abutment

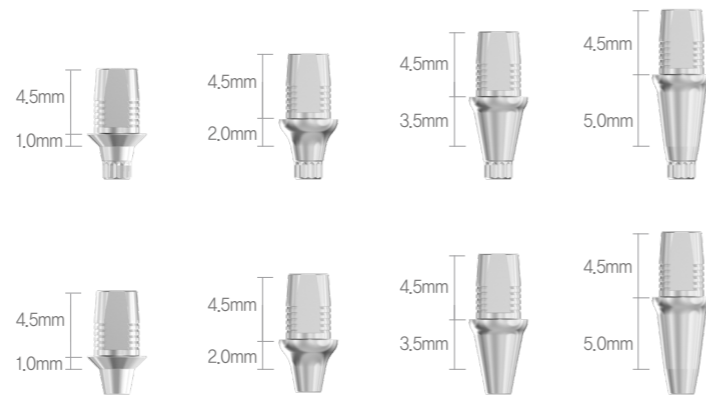


Link Abutments are used when making Zirconia custom abutments with CAD/CAM equipment

Recommended Torque: 20Ncm (Narrow), 30Ncm (Mini, Regular)

Narrow

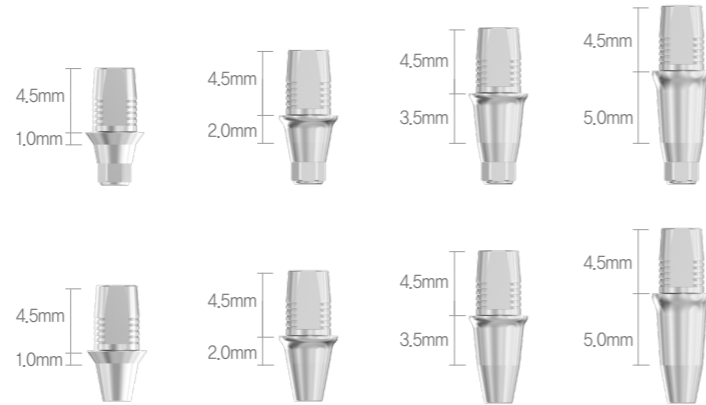
Abutment Diameter	Hex	G/H	Code No.
Ø 4.0	HEX	1	DSLANS401045HS
		2	DSLANS402045HS
		3.5	DSLANS403545HS
		5.0	DSLANS405045HS
	N-HEX	1	DSLANS401045NS
		2	DSLANS402045NS
		3.5	DSLANS403545NS
		5.0	DSLANS405045NS



Screw Code : DSASS

Mini

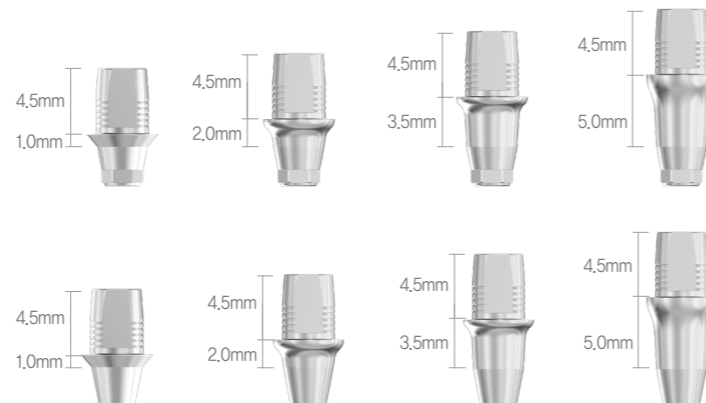
Abutment Diameter	Hex	G/H	Code No.
Ø 4.0	HEX	1	DSLAMS401045HS
		2	DSLAMS402045HS
		3.5	DSLAMS403545HS
		5.0	DSLAMS405045HS
	N-HEX	1	DSLAMS401045NS
		2	DSLAMS402045NS
		3.5	DSLAMS403545NS
		5.0	DSLAMS405045NS



Screw Code : 2DSASM

Regular

Abutment Diameter	Hex	G/H	Code No.
Ø 4.8	HEX	1	DSLARS481045HS
		2	DSLARS482045HS
		3.5	DSLARS483545HS
		5.0	DSLARS485045HS
	N-HEX	1	DSLARS481045NS
		2	DSLARS482045NS
		3.5	DSLARS483545NS
		5.0	DSLARS485045NS



Screw Code : 2DSAS

Digital Analog



Digital Lab Analogs are used for making models with a 3D printer

Type	Code No.
Narrow	DSDLANS
Mini	DSDLAMS
Regular	DSDLARS



Tighten screw from the bottom

Note



Note

