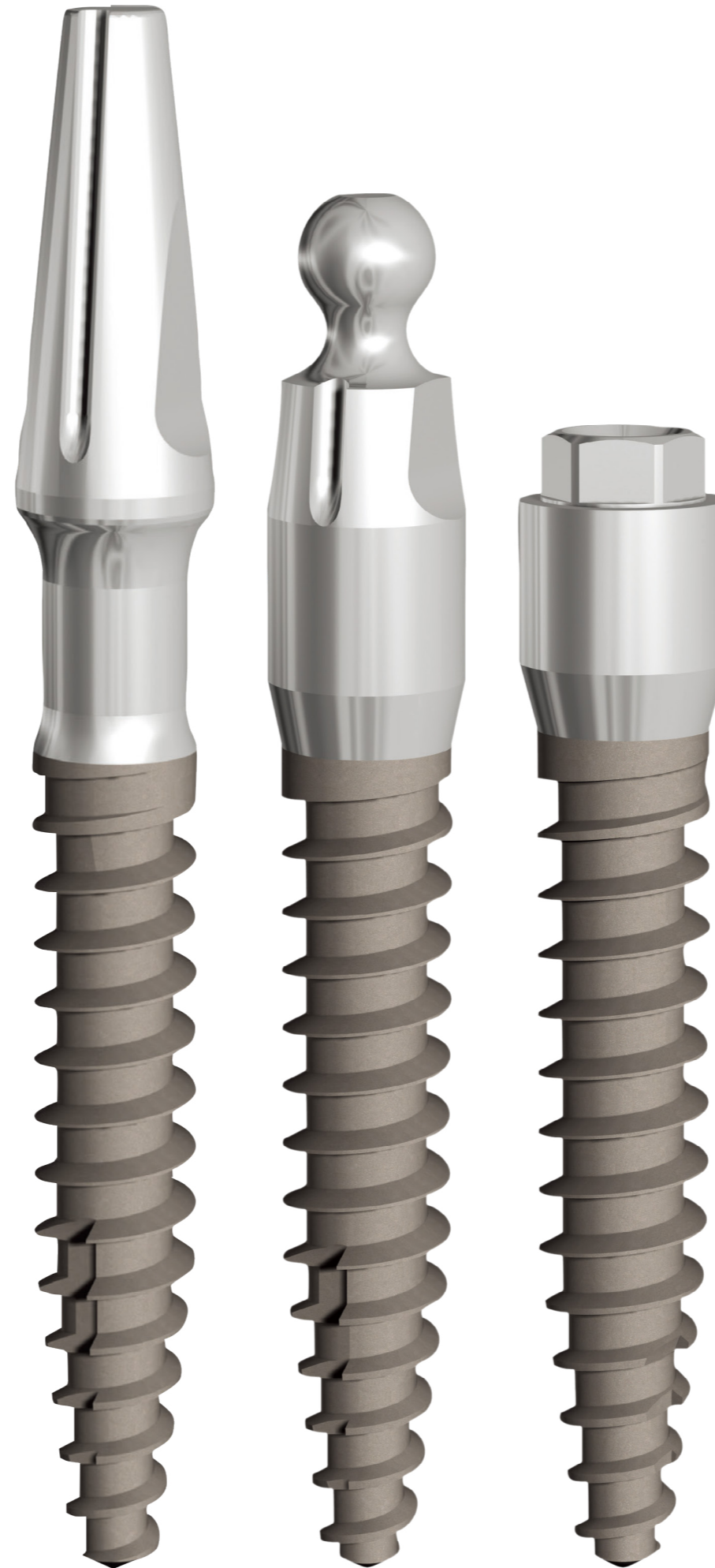


[www.dentisimplant.co.kr/eng/](http://www.dentisimplant.co.kr/eng/)



DENTIS MINI IMPLANT  
**IFIX**



Tel. +82-1899-2804 | Fax. +82-53-583-2806  
99, Seongseoseo-Ro, Dalseo-Gu, Daegu, Korea



Tel. +1-323-677-4363 | Fax. +1-323-677-4366  
6 Centerpointe Drive, Suite 600 La Palma CA 90623



Tel. +021-5111-3828 | Fax. +021-5111-3828  
上海市长宁区中山西路933号2205室

## Contents

DENTIS Mini Implant System	04
I-FIX Angled Type	06
I-FIX Post Type	08
I-FIX O-Ring Type	09
Opening Sequence of Ampule	10
I-Fix Fixture Line-Up	12
Prosthetic System for I-Fix Angled Type	15
Prosthetic System for I-Fix Post Type	17
Prosthetic System for I-Fix O-Ring Type	18
I-Fix Drilling & Fixture Placement Concept	19
DENTIS Mini Implant I-FIX Kit	20



# DENTIS Mini Implant System



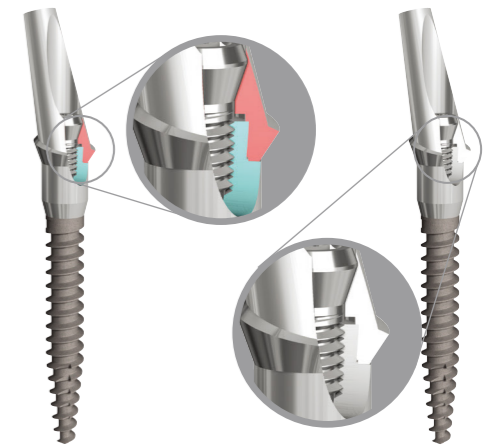
## Three Types of Fixture

- Post Type, O-Ring Type, Angled Type

	Post Type	O-Ring Type	Angled Type	Angled Type	Cemented Abutment	Angled Abutment
Collar	2mm 4mm	1.5mm 3.5mm	1.4mm 3.4mm	→ Cuff	0.7mm	0.7mm

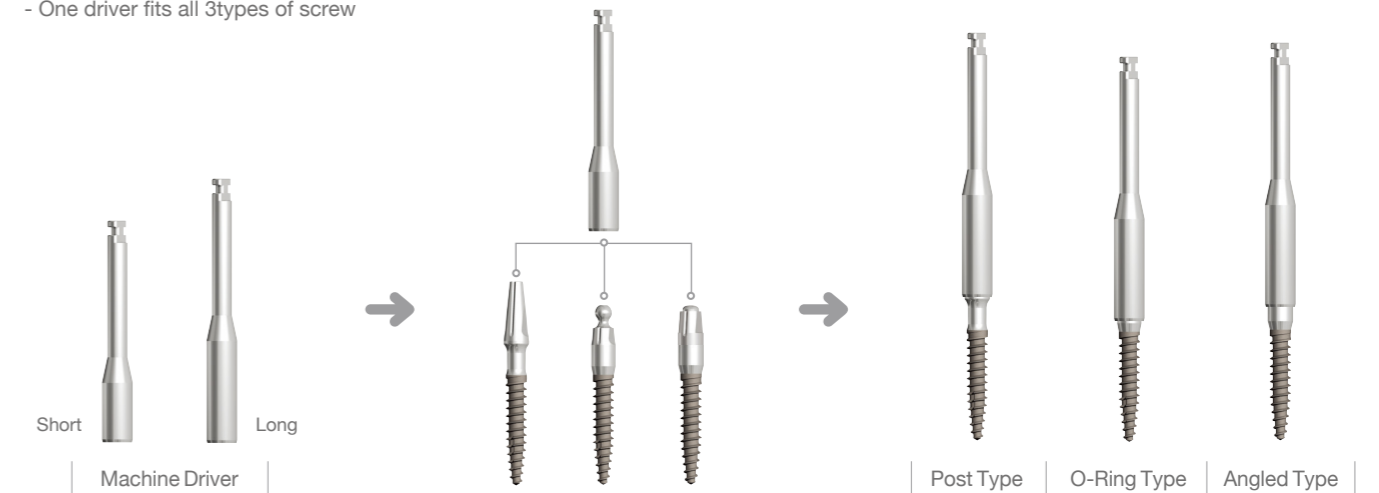
## 2pieces-type with Maximum Strength

- The fixation is strong and safe between screw and fixture with over 4 and half pitch screw connection
- Morse taper connection between the implant and the abutment offers the friction locking and sealing.
- Torque recommendation : 30-35Ncm



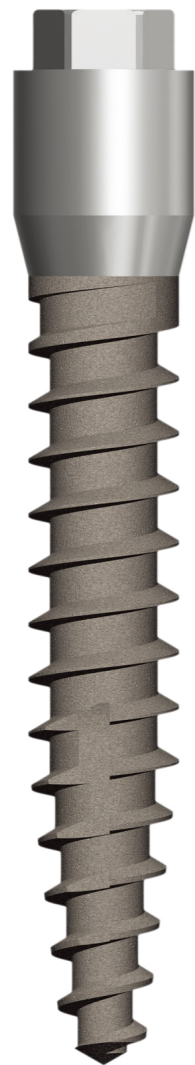
## Easy Surgical Tool

- One driver fits all 3types of screw



# I-FIX Angled Type

size Ø2.0, Ø2.5, Ø3.0



## 2pieces-type with Maximum Strength

- The fixation is strong and safe between screw and fixture with over 4 and half pitch screw connection
- Morse taper connection between the implant and the abutment offers the friction locking and sealing.
- Torque recommendation : 30-35Ncm

## Angle Type - Collar+Cuff

- Total gingival height is collar (1.4mm or 3.4mm) + cuff height(0.7)
- Specialized 2 pieces-design reinforce safe fixation
- Abutments are divided into Cemented and Angled for various cases and placement direction



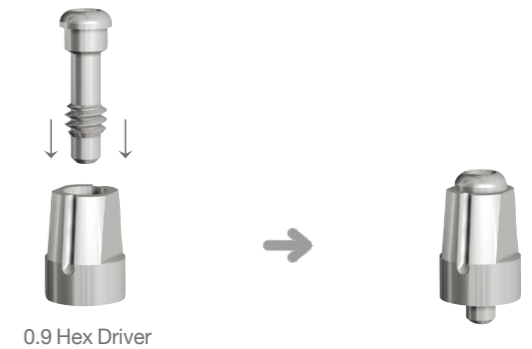
## Healing Abutment



Healing Abutment

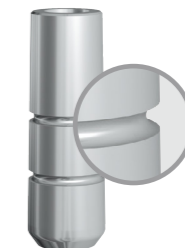
## Another Function of Angled Type Mount

- Mount is used as healing abutment and cover screw after placement

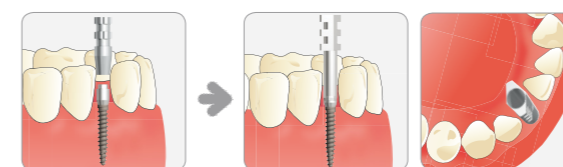


## Angle Type - Free Abutment

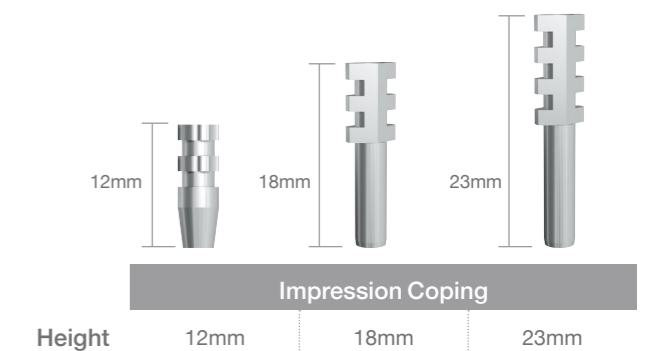
- Free, easy milling and prosthesis work as the application of DENTIS regular free abutment Groove in the abutment body - Strong fixation with cement



## For use where Narrow Interproximal Space



- 18mm and 23mm impression copings provide convenient impression-taking in narrow interproximal space.



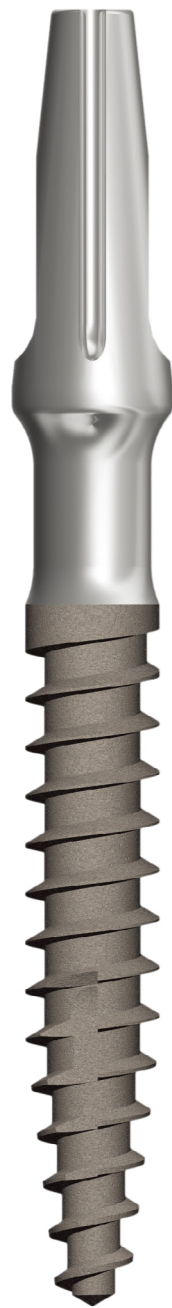
Impression Coping

Height 12mm 18mm 23mm

- Three types of impression coping available in various pickup impression case

# I-FIX Post Type

size Ø2.0, Ø2.5, Ø3.0



## Post Type

- Suitable for narrow space in the maxillary and mandibular anterior teeth One-body type design provides maximum strength for mastication

## Post type Neck design

- Neck design helps to make fast healing time



## Specialized 2 pieces-design reinforce safe fixation

- Abutments are divided into Cemented and Angled for various cases and placement direction
- Three types of impression coping available in various pick-up impression cases



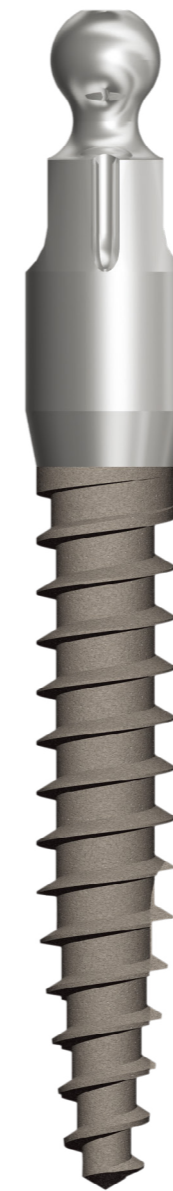
Impression cap



Temporary cap

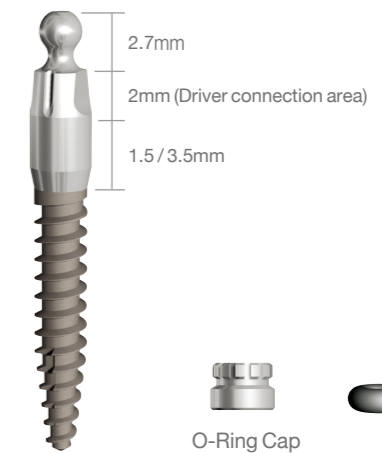
# I-FIX O-Ring Type

size Ø2.0, Ø2.5, Ø3.0



## O-Ring Type

- Suitable for the edentulous patients
- Creating fast and simple temporary prosthesis
- Usable with regular size of retainer furthermore o-ring cap is available
- Collar heights are 1.5mm and 3.5mm

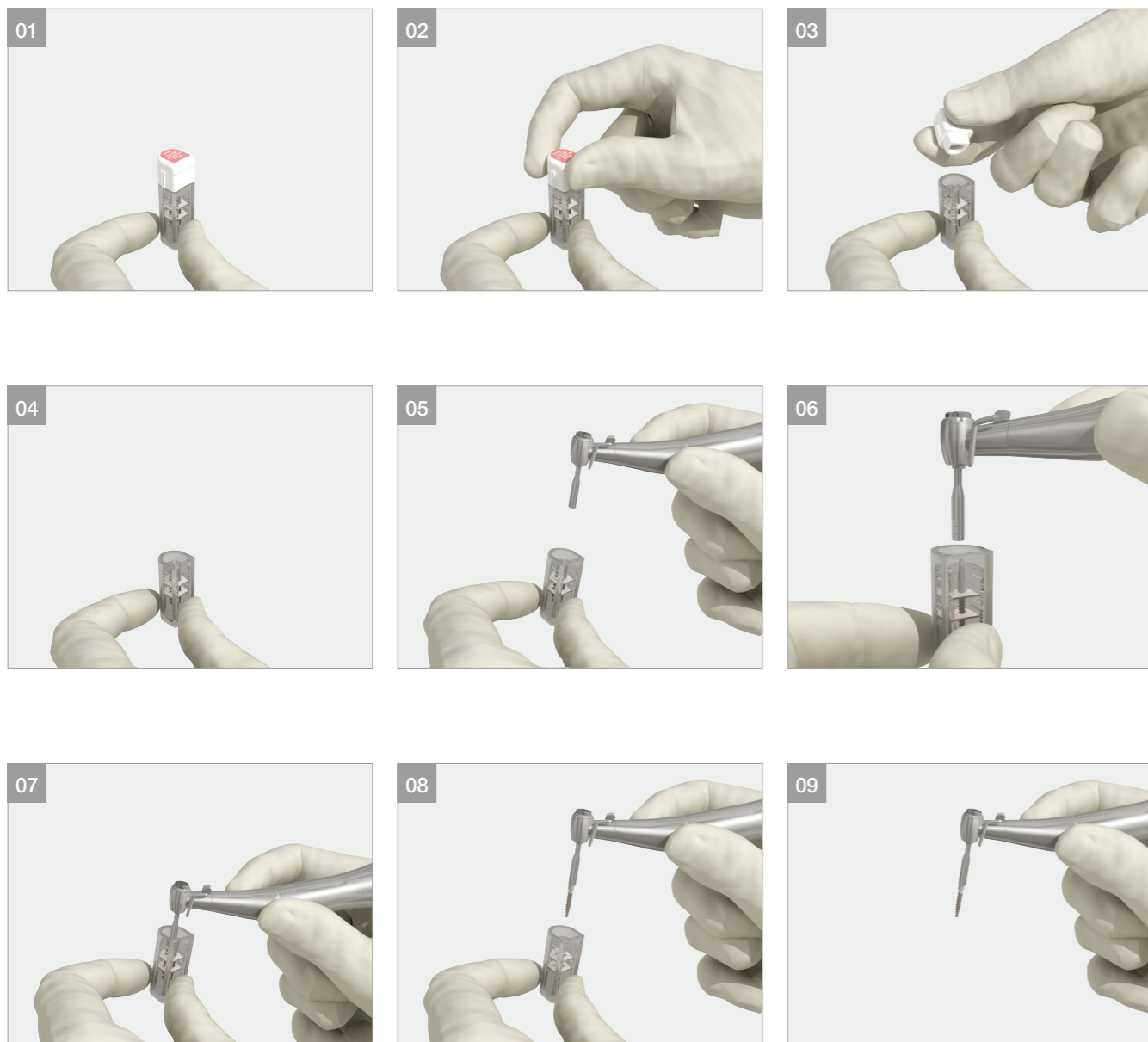


O-Ring Cap



O-Ring

# Opening Sequence of Ampule



- Post Type, O-Ring Type, Angle Type are the same way to open sequence of ampule.

## Opening Sequence of Ampule

- Post Type, O-Ring Type, Angle Type are the same way to open sequence of ampule.

### Angled Type



### Post Type

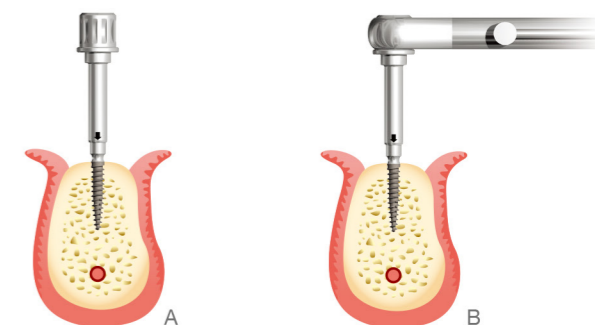


### O-Ring Type



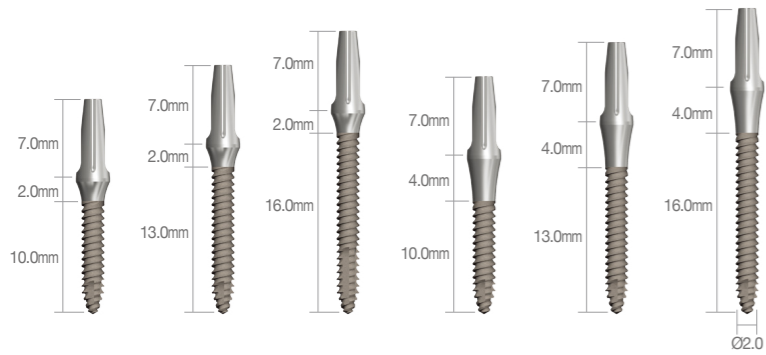
### A tip for the installed implant fixture.

- A] Remove the implant driver and fixture with a slight off-axis motion to disengage the connection before pulling away.
- B] Do not set the drill torque to maximum torque of 80Ncm.

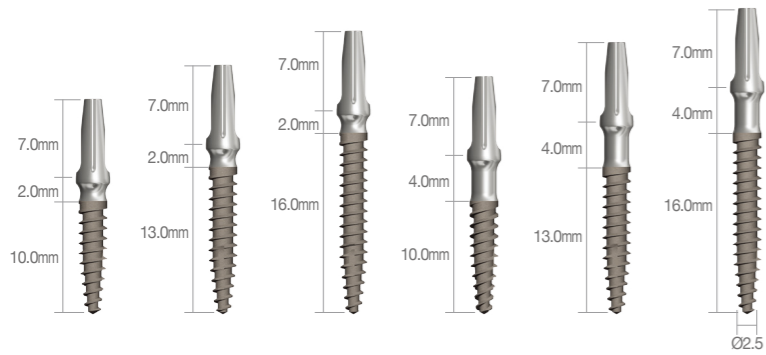


# I-FIX Fixture Line-Up

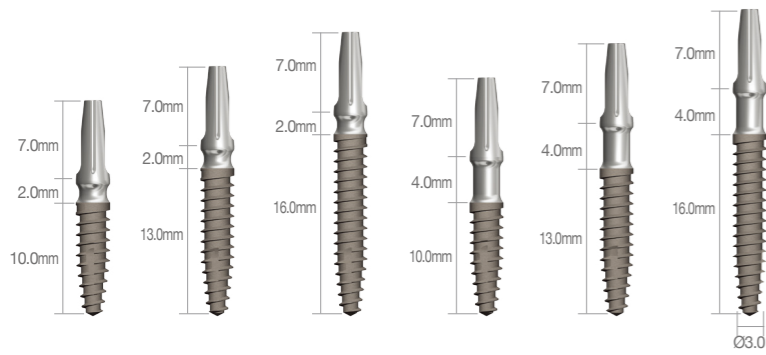
## Post Type Material: Pure-Ti Grade 4



Fixture Diameter	Collar	Length	Code No.
Ø2.0	2.0mm	10.0mm	DMPF2010S
		13.0mm	DMPF2013S
		16.0mm	DMPF2016S
	4.0mm	10.0mm	DMPF2010L
		13.0mm	DMPF2013L
		16.0mm	DMPF2016L

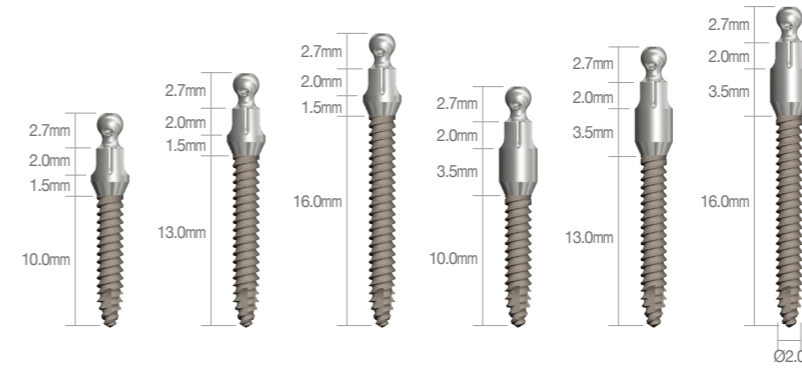


Fixture Diameter	Collar	Length	Code No.
Ø2.5	2.0mm	10.0mm	DMPF2510S
		13.0mm	DMPF2513S
		16.0mm	DMPF2516S
	4.0mm	10.0mm	DMPF2510L
		13.0mm	DMPF2513L
		16.0mm	DMPF2516L

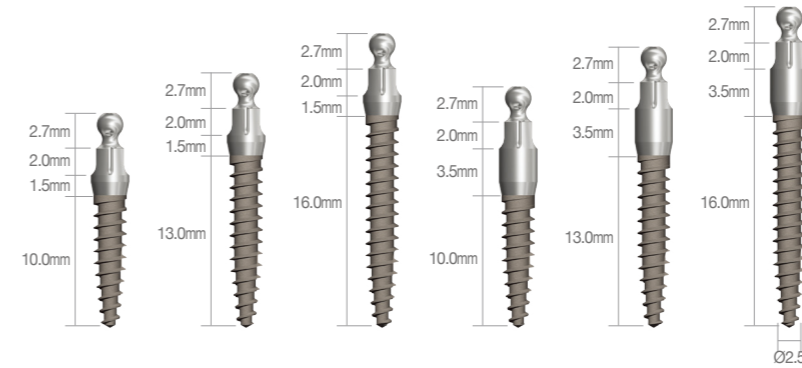


Fixture Diameter	Collar	Length	Code No.
Ø3.0	2.0mm	10.0mm	DMPF3010S
		13.0mm	DMPF3013S
		16.0mm	DMPF3016S
	4.0mm	10.0mm	DMPF3010L
		13.0mm	DMPF3013L
		16.0mm	DMPF3016L

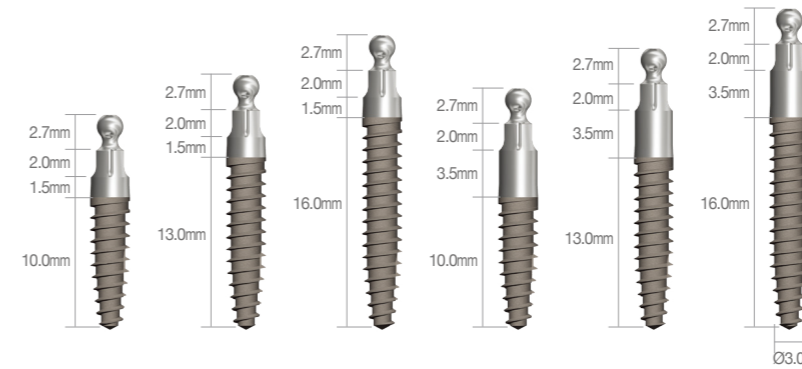
## O-Ring Type Material: Pure-Ti Grade 4



Fixture Diameter	Collar	Length	Code No.
Ø2.0	1.5mm	10.0mm	DMOF2010S
		13.0mm	DMOF2013S
		16.0mm	DMOF2016S
	3.5mm	10.0mm	DMOF2010L
		13.0mm	DMOF2013L
		16.0mm	DMOF2016L

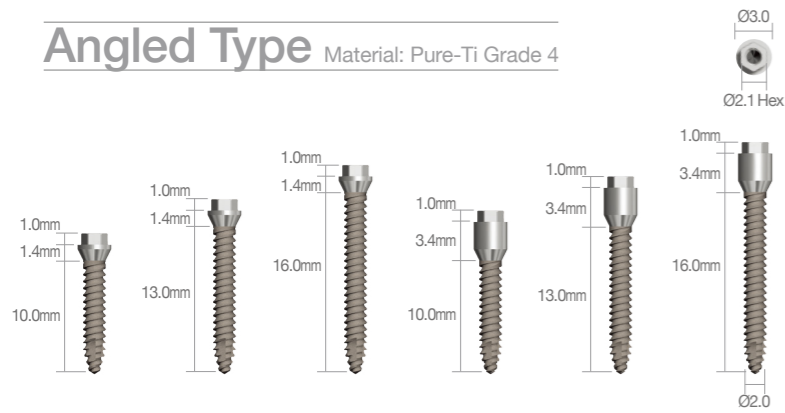


Fixture Diameter	Collar	Length	Code No.
Ø2.5	1.5mm	10.0mm	DMOF2510S
		13.0mm	DMOF2513S
		16.0mm	DMOF2516S
	3.5mm	10.0mm	DMOF2510L
		13.0mm	DMOF2513L
		16.0mm	DMOF2516L

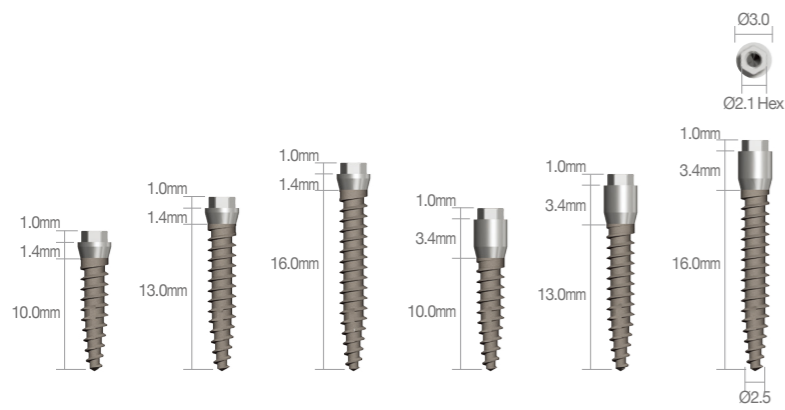


Fixture Diameter	Collar	Length	Code No.
Ø3.0	1.5mm	10.0mm	DMOF3010S
		13.0mm	DMOF3013S
		16.0mm	DMOF3016S
	3.5mm	10.0mm	DMOF3010L
		13.0mm	DMOF3013L
		16.0mm	DMOF3016L

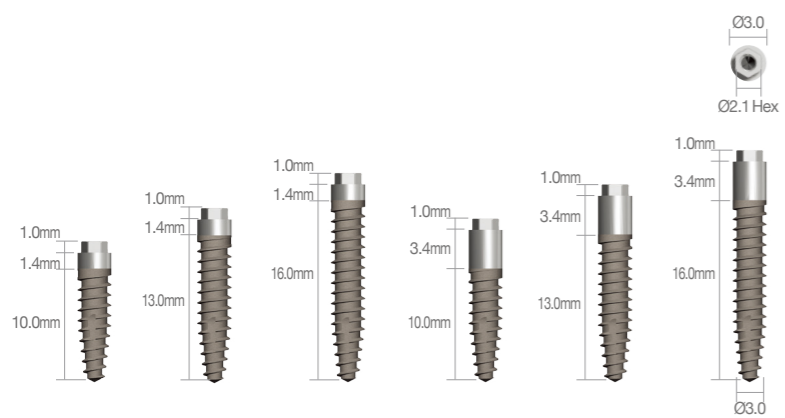
**Angled Type** Material: Pure-Ti Grade 4



Fixture Diameter	Collar	Length	Code No.
Ø2.0	1.4mm	10.0mm	DMAF2010S
		13.0mm	DMAF2013S
		16.0mm	DMAF2016S
	3.4mm	10.0mm	DMAF2010L
		13.0mm	DMAF2013L
		16.0mm	DMAF2016L



Fixture Diameter	Collar	Length	Code No.
Ø2.5	1.4mm	10.0mm	DMAF2510S
		13.0mm	DMAF2513S
		16.0mm	DMAF2516S
	3.4mm	10.0mm	DMAF2510L
		13.0mm	DMAF2513L
		16.0mm	DMAF2516L

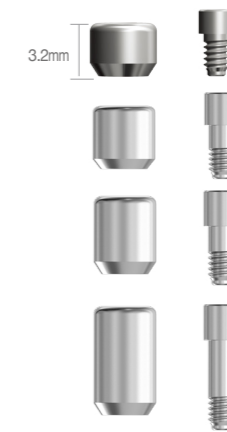


Fixture Diameter	Collar	Length	Code No.
Ø3.0	1.4mm	10.0mm	DMAF3010S
		13.0mm	DMAF3013S
		16.0mm	DMAF3016S
	3.4mm	10.0mm	DMAF3010L
		13.0mm	DMAF3013L
		16.0mm	DMAF3016L

# Prosthetic System for I-Fix Angled Type

## Healing Abutment

Abutment Diameter	P/H	Code No.
Ø4.0	3.2mm	DMAHA4032NS
	4mm	DMAHA4040NS
	5mm	DMAHA4050NS
	7mm	DMAHA4070NS



## Angled Mount Adapter

Detail	Code No.
0.9 Hex Driver	DMAMA



## Angled Abutment | [15°]

Abutment Diameter	G/H	P/H	Code No.
Ø4.0	0.7mm	9.1mm	DMAA15S

※ Screw Included



## Cemented Abutment

Abutment Diameter	G/H	P/H	Code No.
Ø4.0	0.7mm	8.3mm	DMDCAHS DMDCANS

※ Screw Included





### Free Abutment

Abutment Diameter	G/H	P/H	Code No.
Ø4.0	0.7mm	11.3mm	DMFAHS DMFANS

※ Screw Included



### Screw

Abutment Color	Code No.
Healing Screw	DMAHAS4032
Adaptor Screw	DMAMS
Angled Abutment Screw	DMAS
Abutment Screw	DMS



### Lab Analog

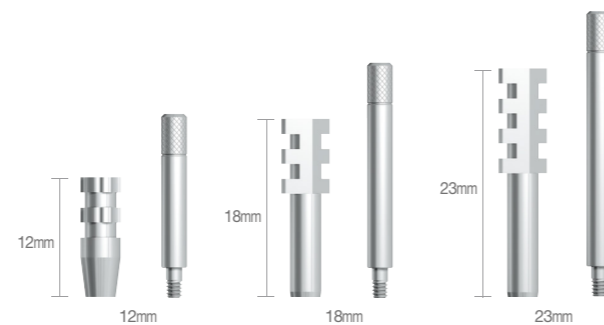
Code No.
DMAL



### Impression coping

Type	Code No.
Pick-up	DMIC12S DMIC18S DMIC23S

※ Guide Pin [DMGP15/20/25]



# Prosthetic System for I-Fix Post Type

### Impression Cap

Code No.
DMPIC



### Temporary Cap

Code No.
DMPTC



### Lab Analog

Code No.
DMPL



# Prosthetic System for I-Fix O-Ring Type

## Lab Analog

Code No.
DMOL



## Cap

Code No.
DOCS



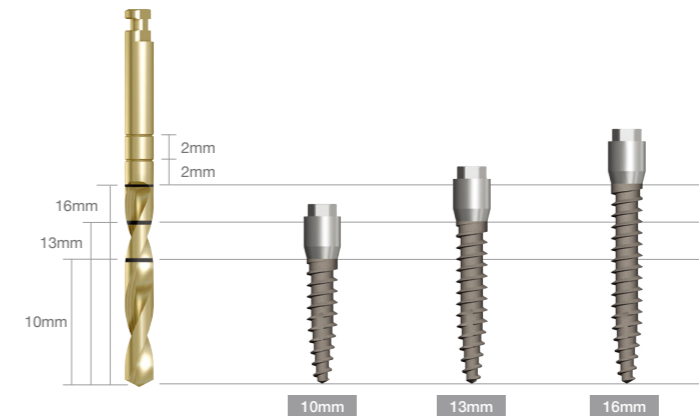
※ [DOC+O-Ring]

## O-Ring

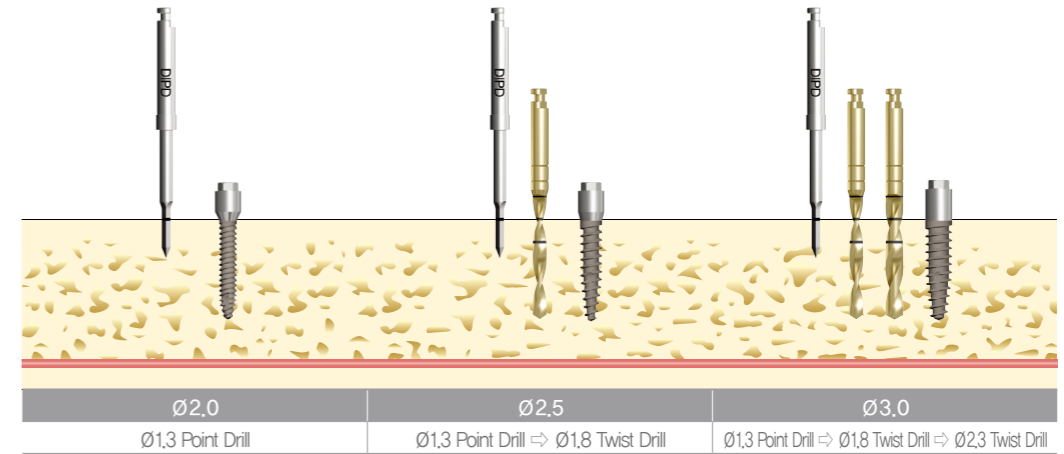
Abutment Color	Code No.
BLACK	DOAO100
RED	DOAO400
ORANGE	DOAO800



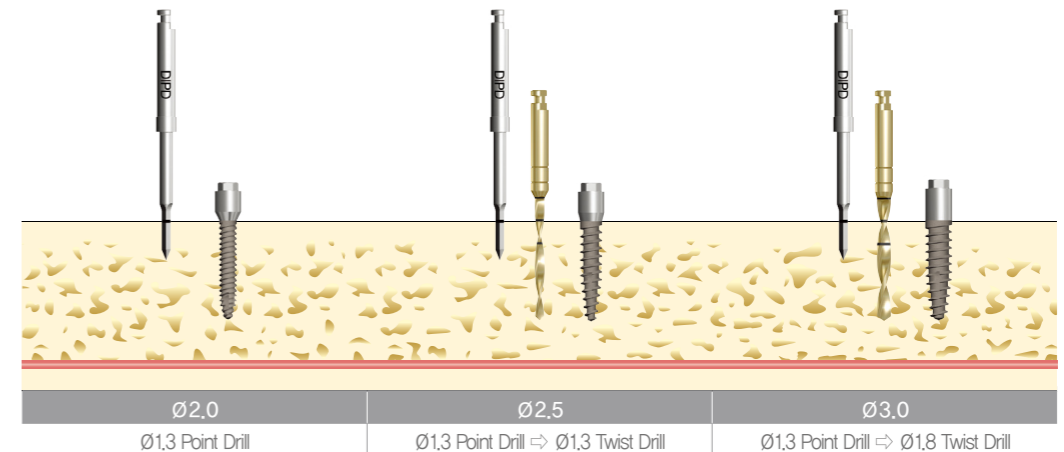
# I-FIX Drilling & Fixture Placement Concept



### \* Drilling Sequence(Hard Bone), D1



### \* Drilling Sequence(Nomal, Soft Bone), D2, D3



# DENTIS Mini Implant I-FIX KIT



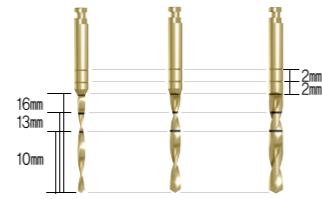
DIPD



DDE



0.9 Hex  
DRHDL09



Ø1.3    Ø1.8    Ø2.3  
DMD13    DMD18    DMD23



DRW

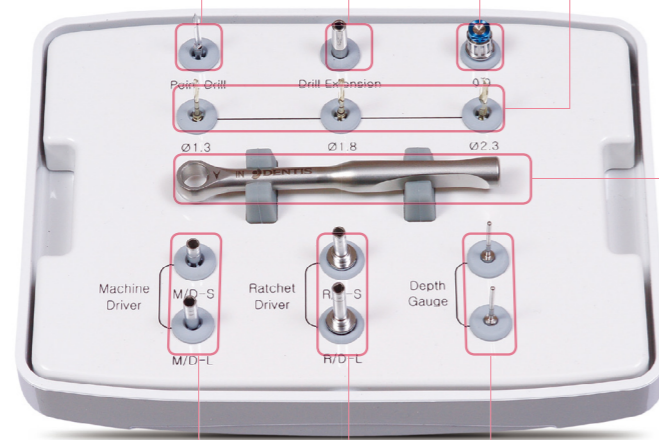
Point Drill

Drill Extension

Hex Driver

Straight Twist Drill

Ratchet Wrench

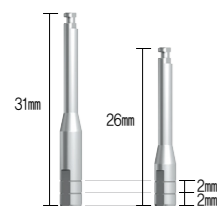


Code - DMK

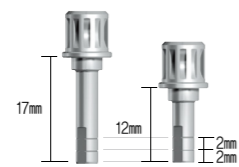
Mini Machine Driver

Mini Ratchet Driver

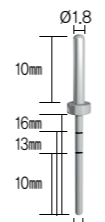
Depth Gauge



Long    Short  
DMML    DMMS



Long    Short  
DMRL    DMRS



DMDP

DENTIS MINI IMPLANT

**I** **FIX**

