

www.dentisusa.com



DENTIS Co., LTD.
(Headquarters)

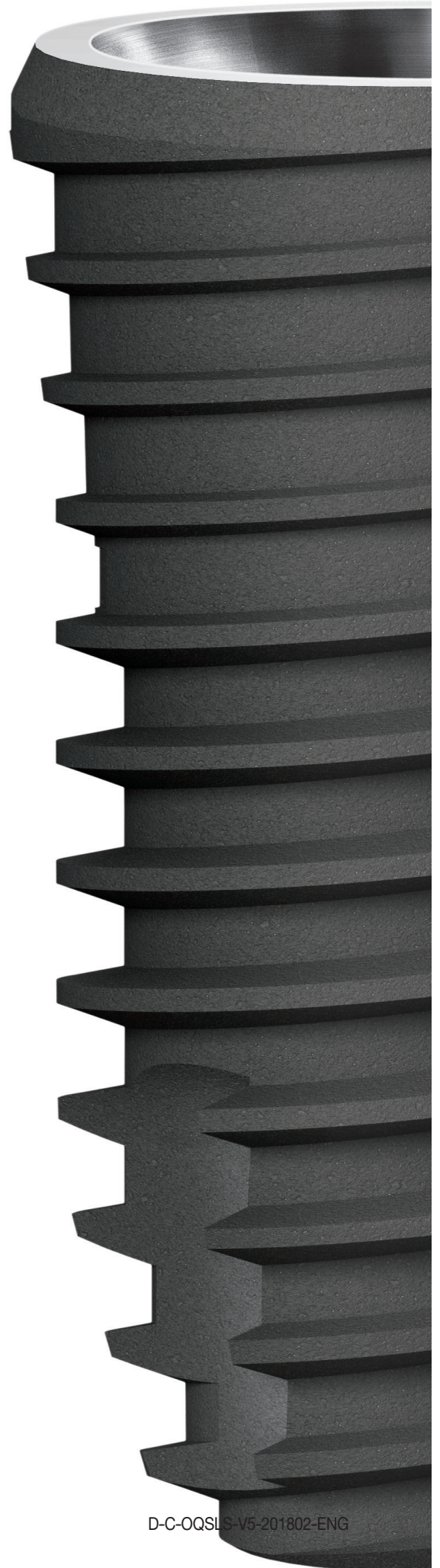
Tel. +82-53-583-2804~5
Fax. +82-53-583-2806
99, Seongseoseo-Ro, Dalseo-Gu, Daegu, Korea

DENTIS USA

Tel. +1-323-677-4363
Fax. +1-323-677-4366
6 Centerpointe Drive, Suite 600, La Palma, CA 90623

©2018 DENTIS CO.,LTD.
All Right Reserved.
Specifications are subject to change without notice.
Trademarks are the property of DENTIS CO., LTD. Or their respective owners.

D-C-OQSL-V5-201802-ENG





One System for All
Implant Indications

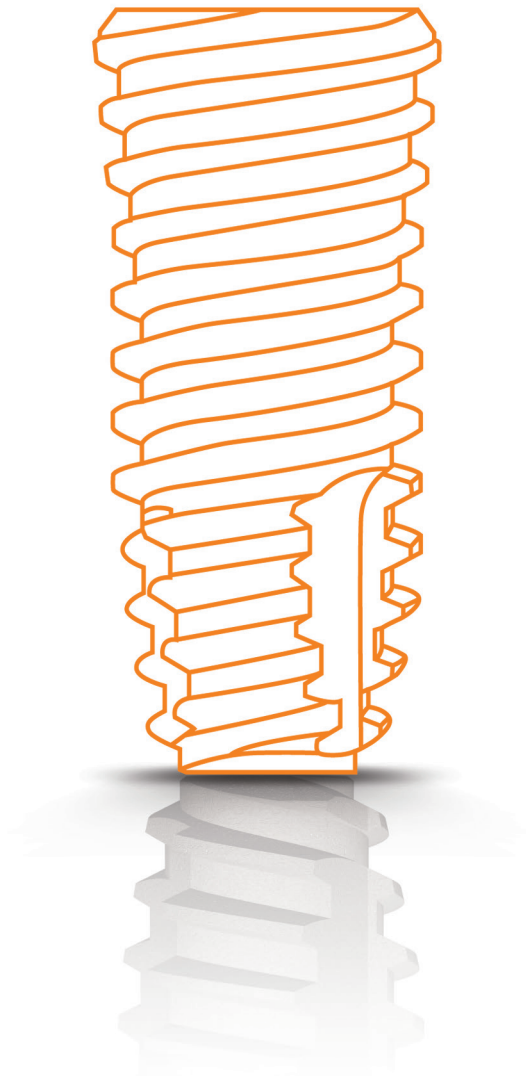
OneQ-SL

Content

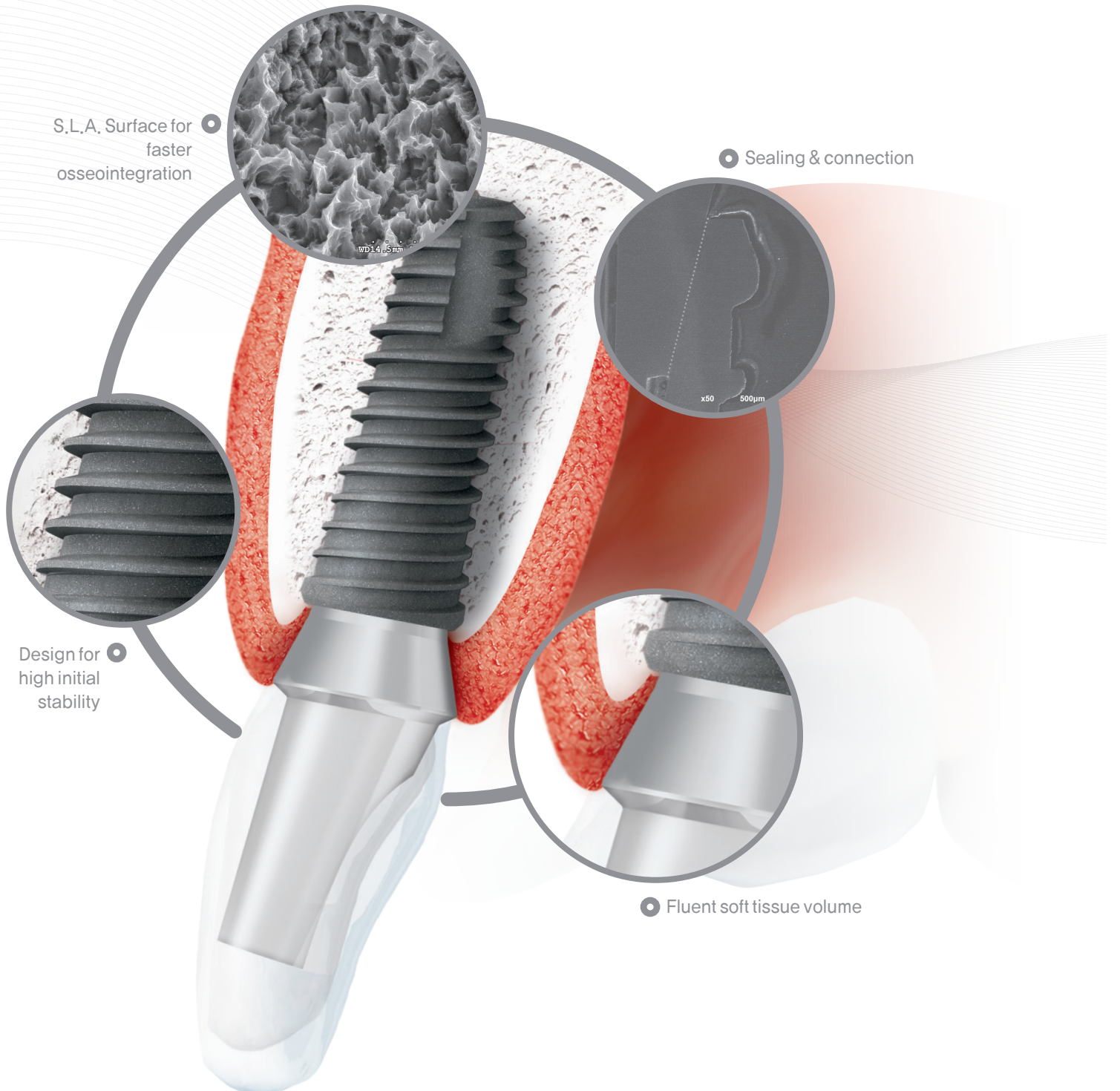
2p	Content
4p	OneQ-SL implant System for all indications.
6p	OneQ-SL Narrow(size Ø3,0, Ø3,3)
8p	OneQ-SL Regular(size Ø3,7, Ø3,9, Ø4,2, Ø4,7, Ø5,2)
10p	OneQ-SL Wide(size Ø6,0, Ø7,0, Ø8,0)
12p	OneQ-SL Fixture Line Up
15p	Cover Screw & Healing Abutment
18p	Prosthetic Flow Diagrams for OneQ Sole system
24p	Prosthetic Flow Diagrams for OneQ Couple system
40p	Prosthetic Flow Diagrams for OneQ Sub Octa system
42p	Prosthetic Flow Diagrams for OneQ Overdenture system
44p	Simple Implant System
47p	OneQ Drilling Manual
48p	Drilling & Fixture Placement Concept
51p	Surgical Kit Instruction
52p	OneQ-SL Premium Surgical Kit
53p	OneQ-SL Kit

One System for All
Implant Indications

OneQ-SL



OneQ-SL implant System for all indications.

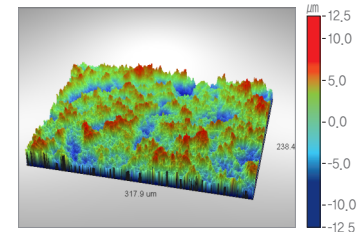
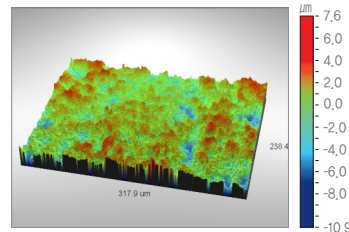
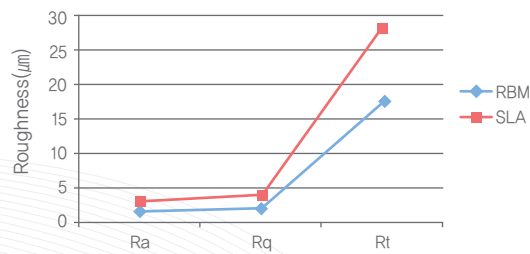


Design for high initial stability

- Double tapered design implant body (Regular & Wide)
Straight body & tapered head design may allow easier depth control and stable & proper primary fixation
- Cutting groove boosts self tapping ability and enable to smaller osteotomy which may helps to get earlier stability

S.L.A. Surface for faster osseointegration

- 200% enhanced surface area compare to RBM surface
- Effective & Excellent Osseo-integration
- Lowest level of Residues



Sealing & connection

- 11degree tapered Internal connection with Hexagonal locking prevent micro-gap and micro move

Fluent soft tissue volume

- Built in platform switching improve soft tissue interface for nature like aesthetic.

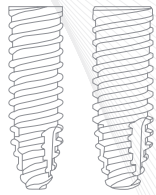
Abundant variation covers all indication

Class	Narrow	Regular	Wide
Diameter	Ø3,0/3,3	Ø3,7/3,9/4,2/4,7/5,2	Ø6,0/7,0/8,0
Length	8/10/12/14	7/8/10/12/14	7/8/10/12
Connection	Double Hex		Hex
Body	Straight		Tapered + Straight
Thread	Double lead Thread		Single lead Thread

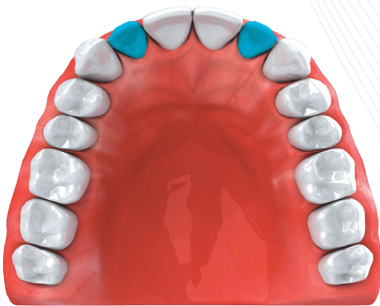
One surgical KIT system with simple sequence

OneQ-SL Narrow

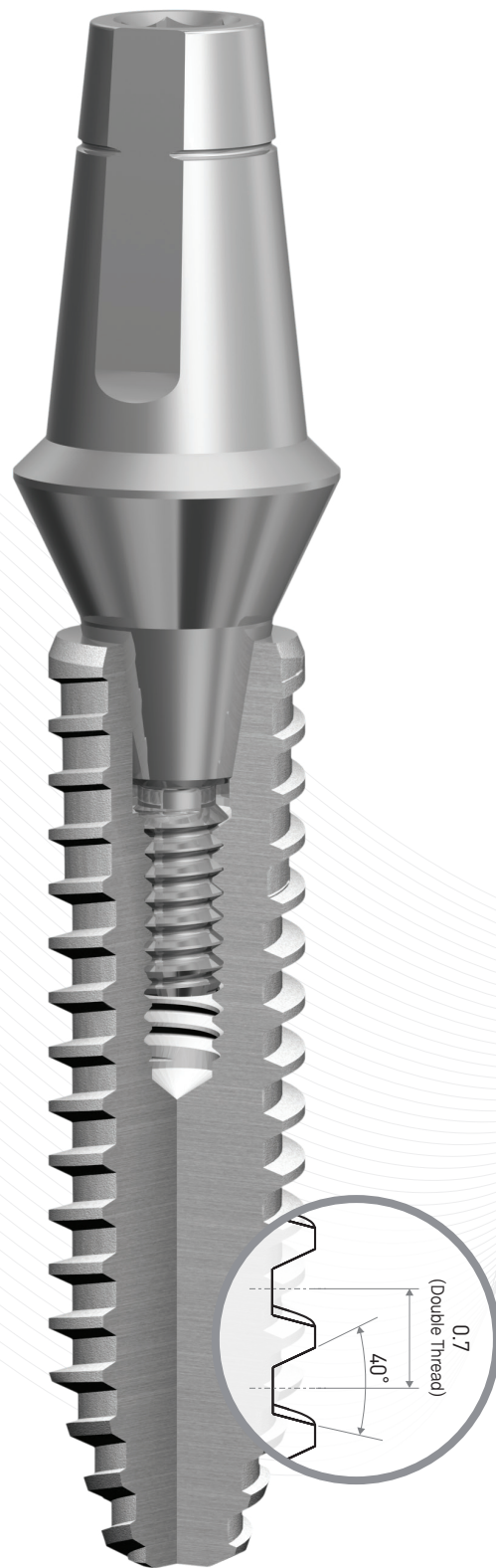
(size $\varnothing 3.0$, $\varnothing 3.3$)



$\varnothing 3.0/3.3$ Maxilla



$\varnothing 3.0/3.3$ Mandible

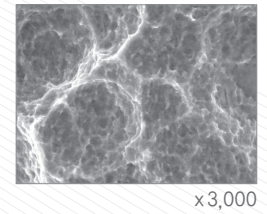
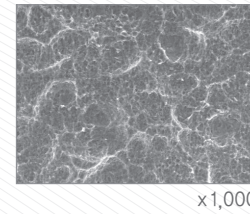
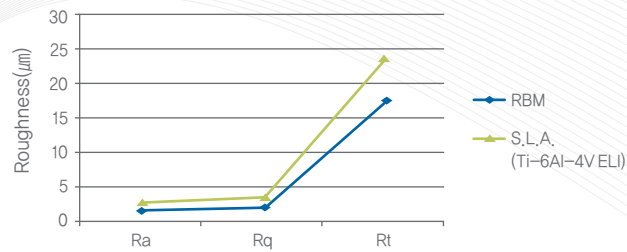


Design for Narrow interdental space

- Narrow straight body may allow easier depth control & less interferences with adjacent teeth.

S.L.A. Surface

- 177% enhanced surface area than RBM(Ra 1.59 μ m) may allows effective and faster Osseo-integration.

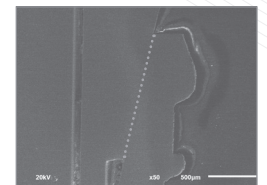
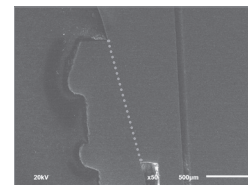


Fluent soft tissue volume

- platform switching improve soft tissue interface for nature like aesthetic.

Sealing with Double Hex connection

- 11degree tapered Internal connection with Hexagonal locking prevent micro-gap and micro move.
- Double hex connection offers wider flexibility of adjusting direction of Abutment



Smoother insertion

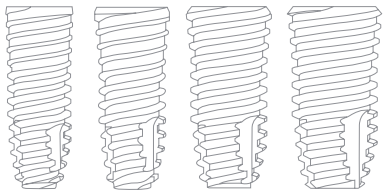
- sharp cutting blade and widely spread (40degree) double lead threads

Apex with Cutting groove

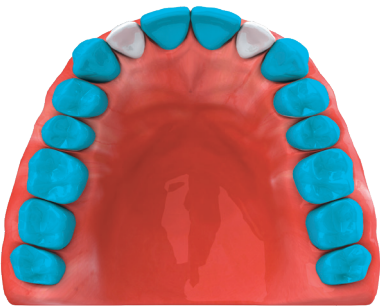
- Cutting groove boosts self tapping ability and enable to smaller osteotomy which may helps to get earlier stability

OneQ-SL Regular

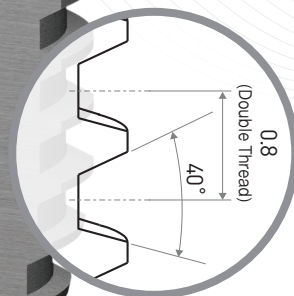
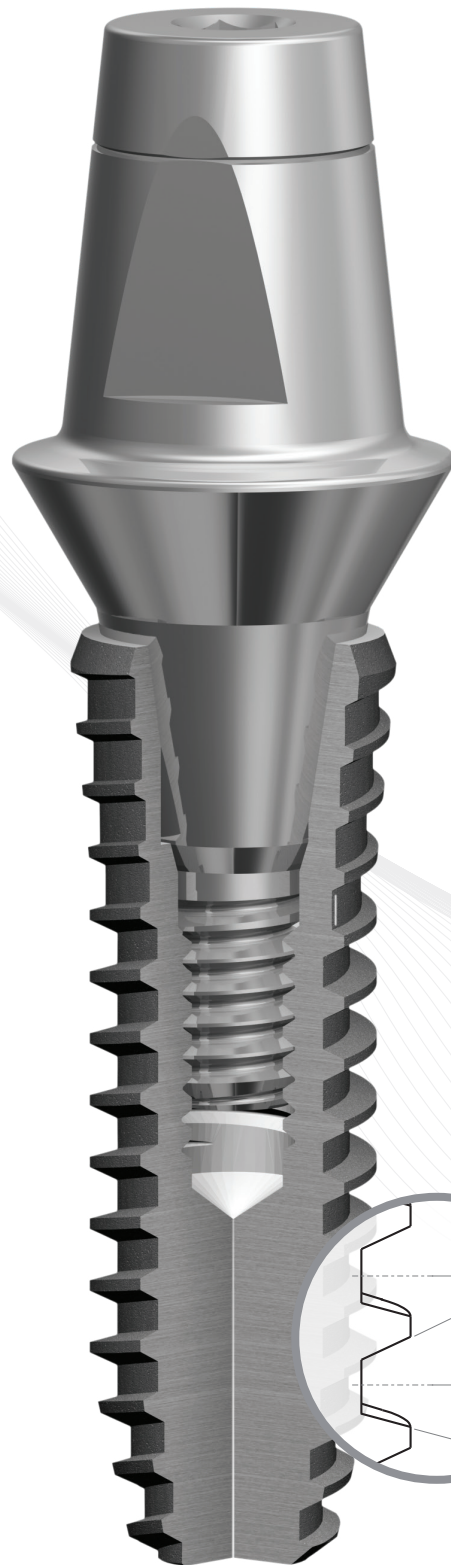
(size $\text{\O}3.7$, $\text{\O}3.9$, $\text{\O}4.2$, $\text{\O}4.7$, $\text{\O}5.2$)



$\text{\O}3.7/\text{\O}3.9/4.2/4.7/5.2$ Maxilla

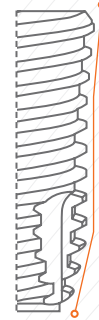


$\text{\O}3.7/\text{\O}3.9/4.2/4.7/5.2$ Mandible



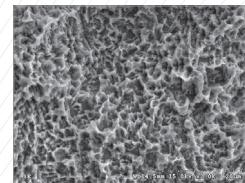
Designed for all indication

- Double tapered body
- Straight body may allow easier depth control
- Tapered head condenses bone and helps to get improved primary fixation even in compromised bone.

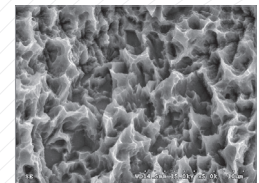


S.L.A. Surface

- 200% enhanced surface area than RBM surface
- Effective & Excellent Osseo-integration
- Lowest level of Residues



x 2,000



x 5,000

Sealing with Hex connection

- 11degree tapered Internal connection with Hexagonal locking prevent micro-gap and micro move

Fluent soft tissue volume

- Platform switching design improves soft tissue connection and nature like aesthetics



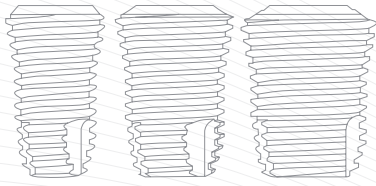
Improved stability

- Apex with Cutting edge boosts self tapping ability and enable to smaller osteotomy which may helps to get earlier stability
- Flat end design for Less possibility of accidental perforation while sinus lift surgery



OneQ-SL Wide

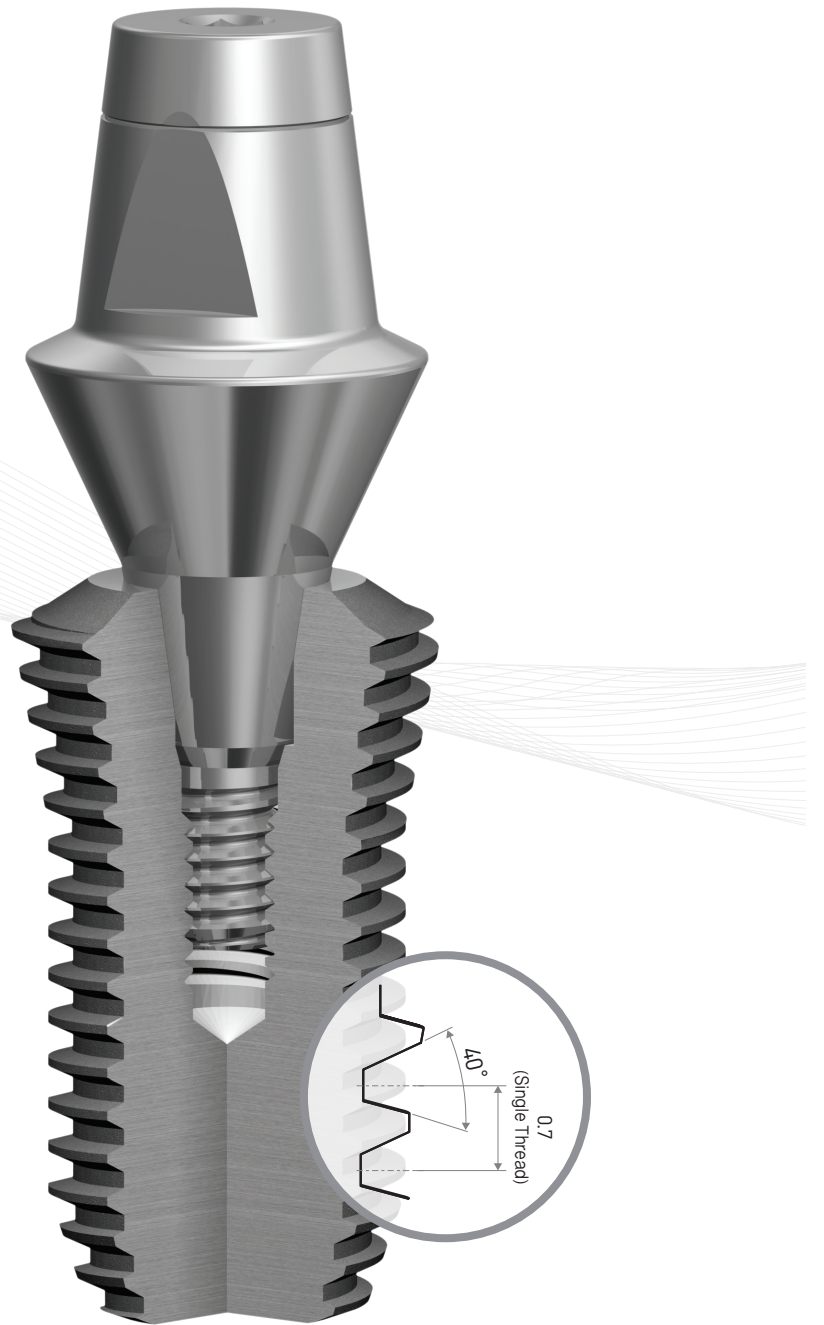
(size $\text{\O}6.0$, $\text{\O}7.0$, $\text{\O}8.0$)



$\text{\O}6.0/7.0/8.0$ Maxilla



$\text{\O}6.0/7.0/8.0$ Mandible

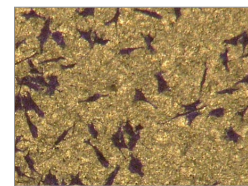


Design for Less stress and stability

- Double tapered design condenses bone
- Single Lead thread design reduces bone stress
- Apex with cutting groove boosts self tapping ability and enable to smaller osteotomy which may helps to get earlier stability

S.L.A. Surface

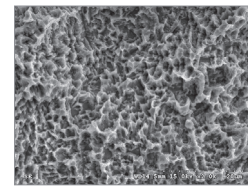
- Cell adhesion and differentiation of Human Osteoblast MG63 on SLA surface is 20% superior than RBM



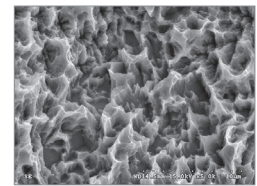
RBM Surface



S.L.A. Surface



x 2,000



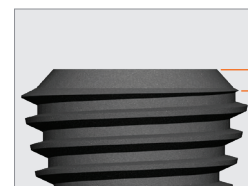
x 5,000

For Wide extraction socket

- Wide body design for failed implant restoration and wide extraction socket.

Reversed Taper head

- 0,7mm/1,0mm of Reversed taper area helps to get more alveolar bone and soft tissue support



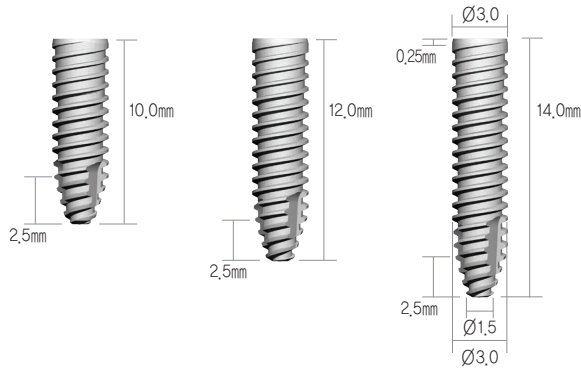
0.7mm / 1.0mm

Secured sealing and connection

- 11degree tapered Internal connection with Hexagonal locking prevent micro-gap and micro move
- specially designed abutments

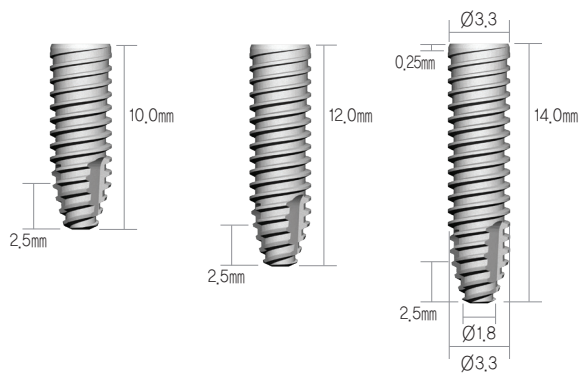
OneQ-SL Fixture Line Up

Narrow Line | Material: Ti-6Al-4V ELI |



Narrow		
Fixture Diameter	Length	Code No.
Ø3.0	10,0mm	DSSOFS3010S
	12,0mm	DSSOFS3012S
	14,0mm	DSSOFS3014S

※Set Code(S) : Fixture + Cover Screw

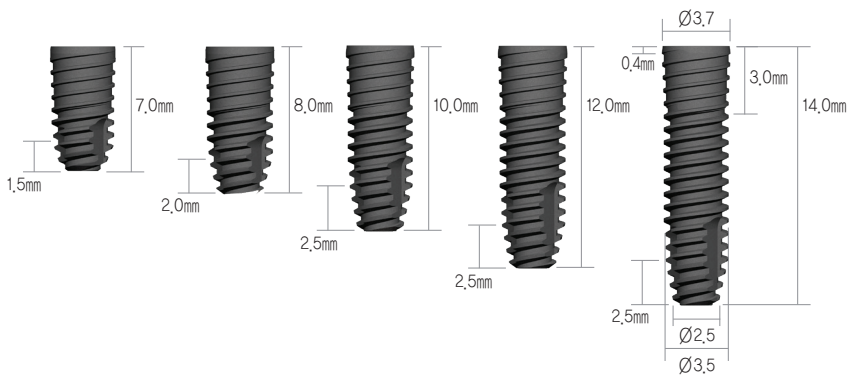


Narrow		
Fixture Diameter	Length	Code No.
Ø3.3	10,0mm	DSSOFS3310S
	12,0mm	DSSOFS3312S
	14,0mm	DSSOFS3314S

※Set Code(S) : Fixture + Cover Screw

Regular Line

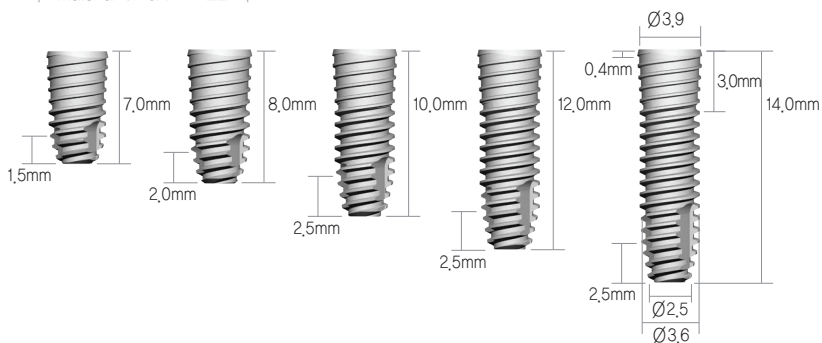
| Material: Pure-Ti Grade 4 |



Regular		
Fixture Diameter	Length	Code No.
Ø3.7	7,0mm	DSSOFM3707S
	8,0mm	DSSOFM3708S
	10,0mm	DSSOFM3710S
	12,0mm	DSSOFM3712S
	14,0mm	DSSOFM3714S

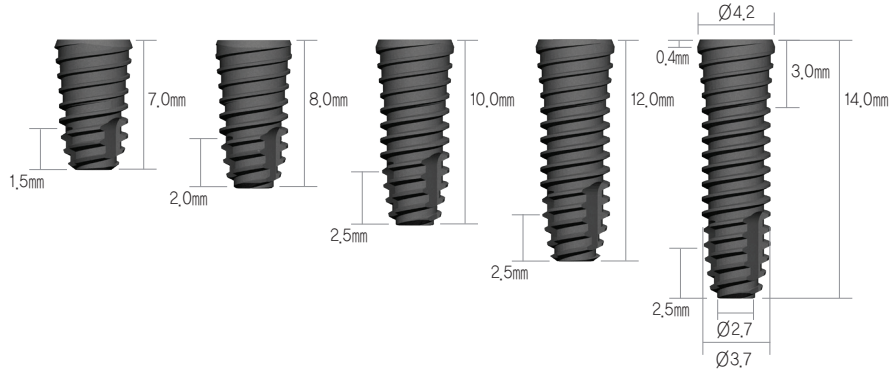
※Set Code(S) : Fixture + Cover Screw

| Material: Ti-6Al-4V ELI |



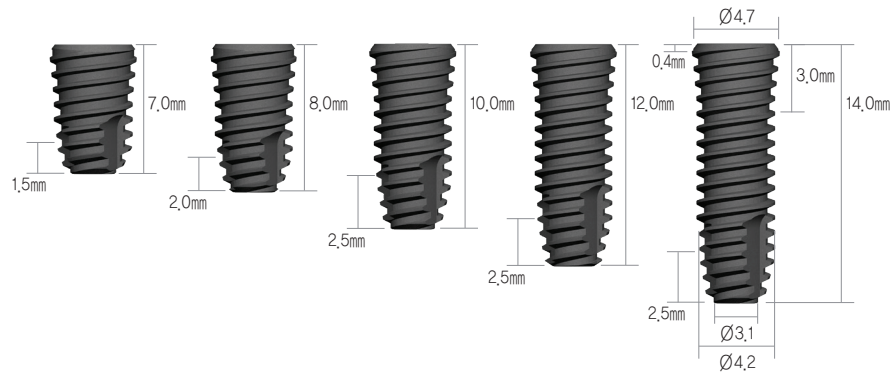
Regular		
Fixture Diameter	Length	Code No.
Ø3.9	7,0mm	DSSOFR3907S
	8,0mm	DSSOFR3908S
	10,0mm	DSSOFR3910S
	12,0mm	DSSOFR3912S
	14,0mm	DSSOFR3914S

※ Set Code(S) : Fixture + Cover Screw[DSCSM]



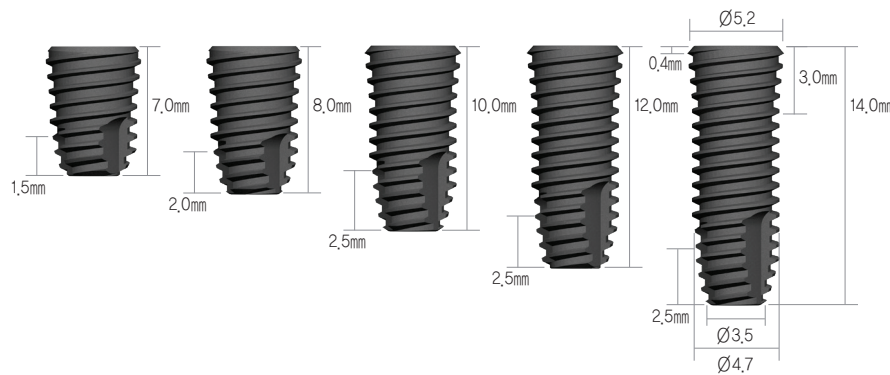
Regular		
Fixture Diameter	Length	Code No.
Ø4.2	7,0mm	DSSOFR4207S
	8,0mm	DSSOFR4208S
	10,0mm	DSSOFR4210S
	12,0mm	DSSOFR4212S
	14,0mm	DSSOFR4214S

※Set Code(S) : Fixture + Cover Screw



Regular		
Fixture Diameter	Length	Code No.
Ø4.7	7,0mm	DSSOFR4707S
	8,0mm	DSSOFR4708S
	10,0mm	DSSOFR4710S
	12,0mm	DSSOFR4712S
	14,0mm	DSSOFR4714S

※Set Code(S) : Fixture + Cover Screw

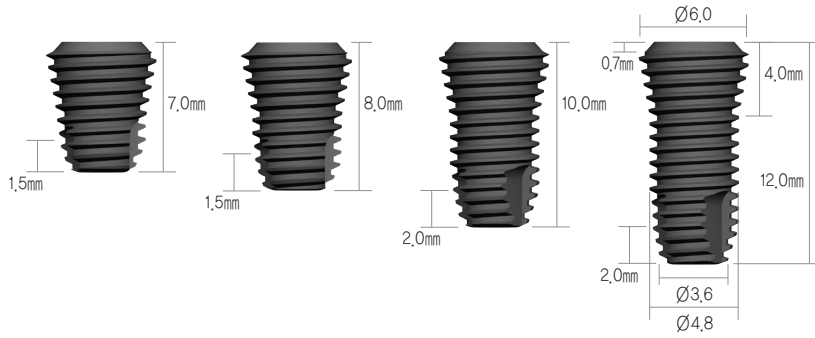


Regular		
Fixture Diameter	Length	Code No.
Ø5.2	7,0mm	DSSOFR5207S
	8,0mm	DSSOFR5208S
	10,0mm	DSSOFR5210S
	12,0mm	DSSOFR5212S
	14,0mm	DSSOFR5214S

※Set Code(S) : Fixture + Cover Screw

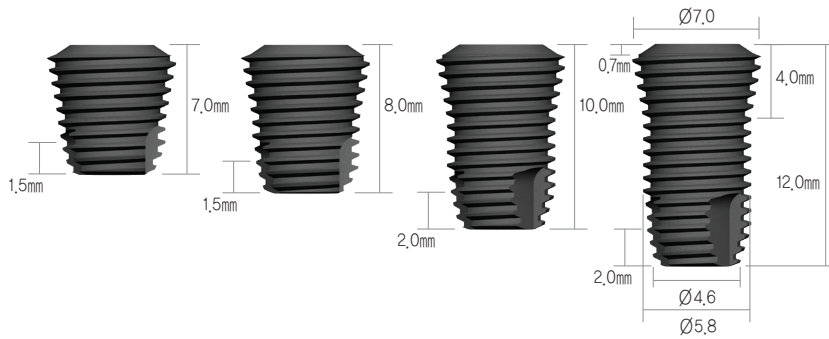
Wide Line | Material: Pure-Ti Grade 4 |

Use only screw 6mm Fixture



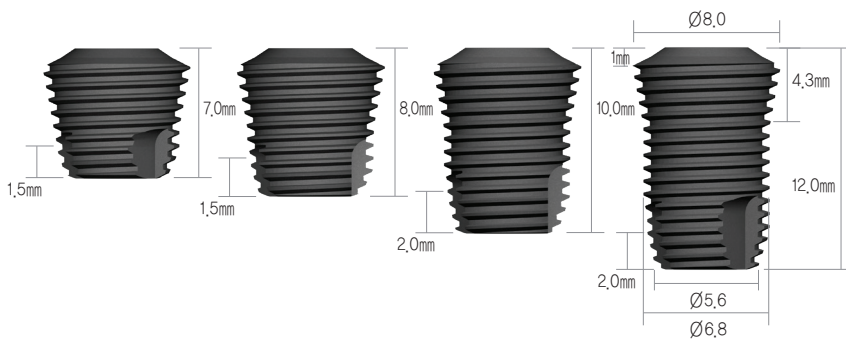
Wide		
Fixture Diameter	Length	Code No.
Ø6.0	7.0mm	DSSOFW6007S
	8.0mm	DSSOFW6008S
	10.0mm	DSSOFW6010S
	12.0mm	DSSOFW6012S

※Set Code(S) : Fixture + Cover Screw



Wide		
Fixture Diameter	Length	Code No.
Ø7.0	7.0mm	DSSOFW7007S
	8.0mm	DSSOFW7008S
	10.0mm	DSSOFW7010S
	12.0mm	DSSOFW7012S

※Set Code(S) : Fixture + Cover Screw



Wide		
Fixture Diameter	Length	Code No.
Ø8.0	7.0mm	DSSOFW8007S
	8.0mm	DSSOFW8008S
	10.0mm	DSSOFW8010S
	12.0mm	DSSOFW8012S

※Set Code(S) : Fixture + Cover Screw

Cover Screw & Healing Abutment

| ▶ A/D: Abutment Diameter | ▶ P/H: Post Height | ▶ G/H: Gingiva Height |

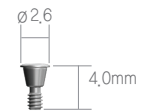
Cover Screw (Narrow) | Recommended torque - Narrow size : 20Ncm / Regular, wide size : 30Ncm |



DSOFCS + DSSOFS3310

Code No.

DSOFCS



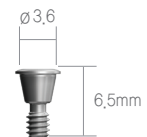
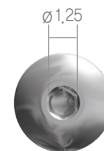
Cover Screw (Regular / Wide)



DSCSM + DSSOFR4210

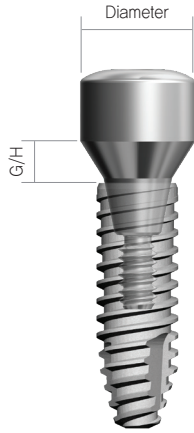
Code No.

DSCSM



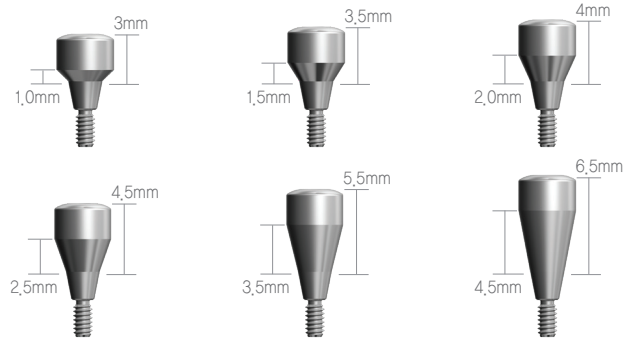
Healing Abutment (Narrow)

| Recommended torque - Narrow size : 20Ncm / Regular, wide size : 30Ncm |

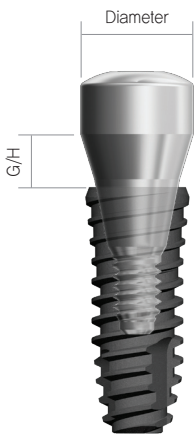


DSHS4015 + DSSOFS3310

Abutment Diameter	G/H	Code No.
Ø4.0	1,0mm	DSHS4010
	1,5mm	DSHS4015
	2,0mm	DSHS4020
	2,5mm	DSHS4025
	3,5mm	DSHS4035
	4,5mm	DSHS4045

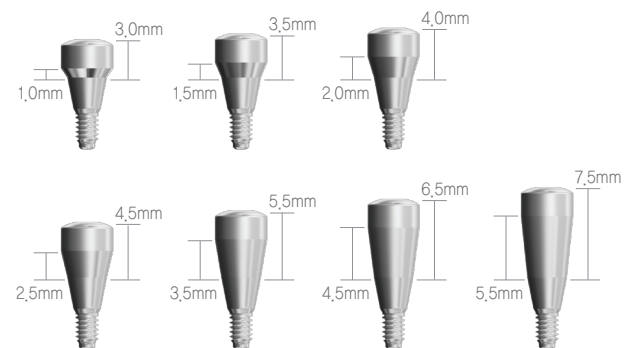


Healing Abutment (Regular / Wide)

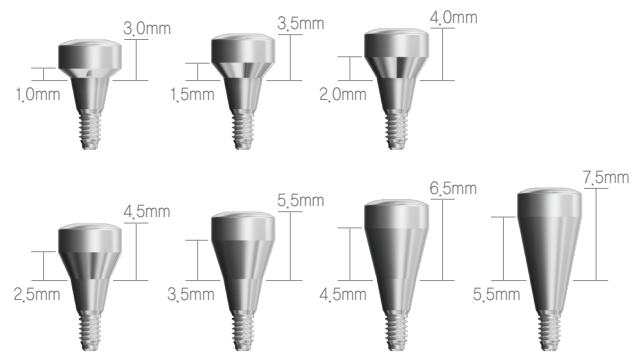


DSH4520 + DSSOFR4210

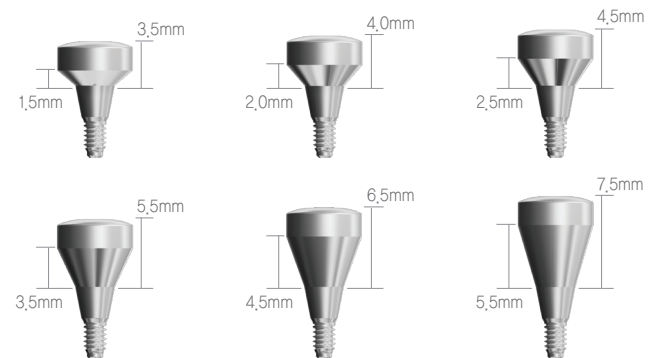
Abutment Diameter	G/H	Code No.
Ø4.5	1,0mm	DSH4510
	1,5mm	DSH4515
	2,0mm	DSH4520
	2,5mm	DSH4525
	3,5mm	DSH4535
	4,5mm	DSH4545
	5,5mm	DSH4555



Abutment Diameter	G/H	Code No.
Ø5,5	1,0mm	DSH5510
	1,5mm	DSH5515
	2,0mm	DSH5520
	2,5mm	DSH5525
	3,5mm	DSH5535
	4,5mm	DSH5545
	5,5mm	DSH5555



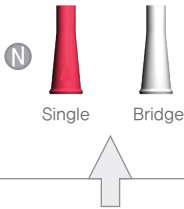


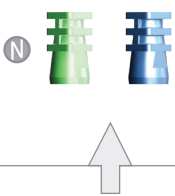
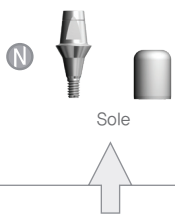



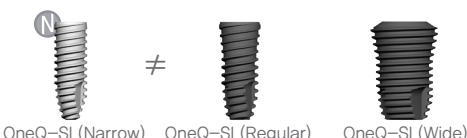
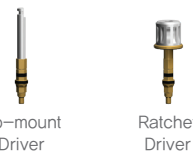
Abutment Diameter	G/H	Code No.
Ø6,5	1,5mm	DSH6515
	2,0mm	DSH6520
	2,5mm	DSH6525
	3,5mm	DSH6535
	4,5mm	DSH6545
	5,5mm	DSH6555



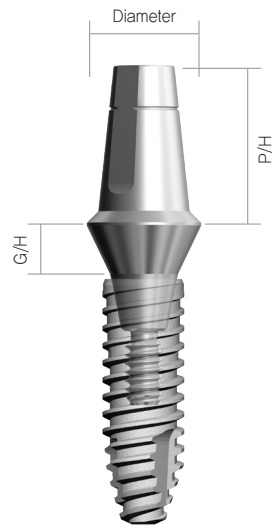
Prosthetic Flow Diagrams for OneQ Sole System

Abutment Level Impression / Cemented Restoration

N Narrow Type

Description	Flow	Tool
Plastic Coping		 <p>Reamer</p>
Lab Analog		
Impression Cap		
Abutment		 <p>1,25 Hex Driver</p>
		 <p>1,25 Hex Driver</p>
OneQ Fixture		 <p>No-mount Driver Ratchet Driver</p>

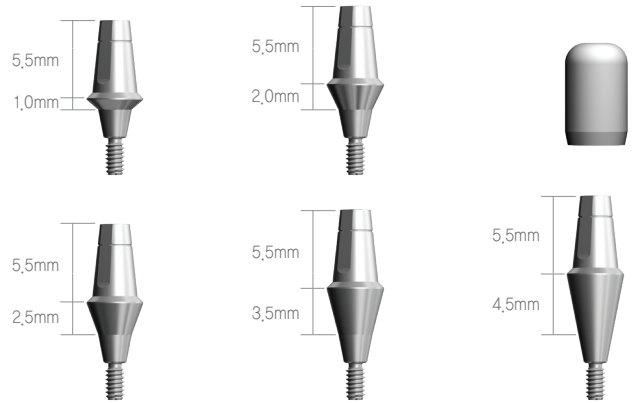
Sole Abutment (Narrow) | Recommended torque - Narrow size : 20Ncm / Regular, wide size : 30Ncm |



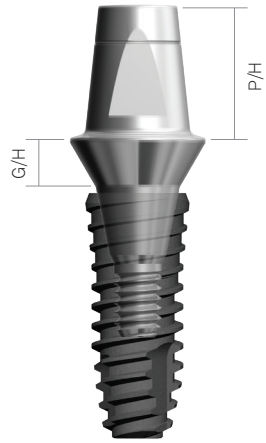
DSSAS40205S + DSSOFS3310

Abutment Diameter	G/H	P/H	Code No.
Ø4.0	1.0mm	5.5mm	DSSAS40105S
	2.0mm		DSSAS40205S
	2.5mm		DSSAS40255S
	3.5mm		DSSAS40355S
	4.5mm		DSSAS40455S

※ Set Code(S) : Abutment + Healing Cap



Sole Abutment (Regular / Wide)



DSSA5520S + DSSOFR4210

Abutment Diameter	G/H	P/H	Code No.
Ø4.5	1.0mm	5.5mm	DSSA4510S
	1.5mm		DSSA4515S
	2.0mm		DSSA4520S
	2.5mm		DSSA4525S
	3.5mm		DSSA4535S
	4.5mm		DSSA4545S
	5.5mm		DSSA4555S

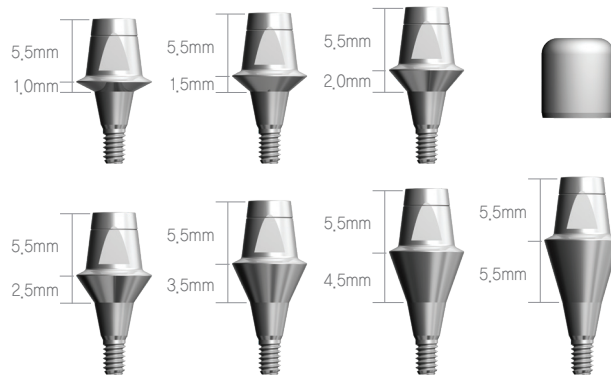
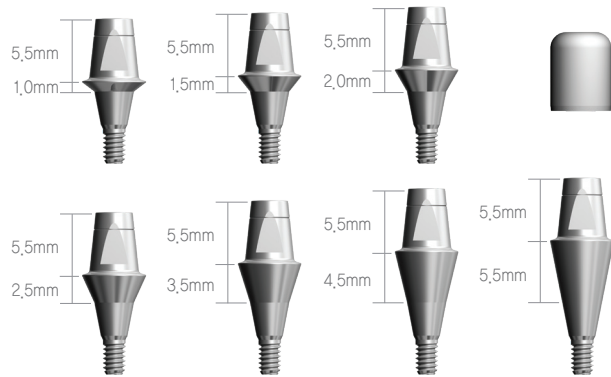
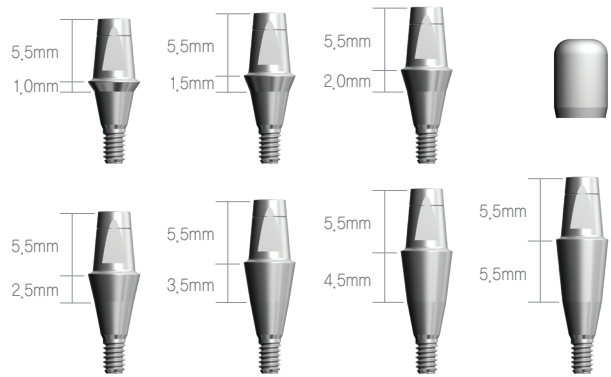
※ Set Code(S) : Abutment + Healing Cap

Abutment Diameter	G/H	P/H	Code No.
Ø5.5	1.0mm	5.5mm	DSSA5510S
	1.5mm		DSSA5515S
	2.0mm		DSSA5520S
	2.5mm		DSSA5525S
	3.5mm		DSSA5535S
	4.5mm		DSSA5545S
	5.5mm		DSSA5555S

※ Set Code(S) : Abutment + Healing Cap

Abutment Diameter	G/H	P/H	Code No.
Ø6.5	1.0mm	5.5mm	DSSA6510S
	1.5mm		DSSA6515S
	2.0mm		DSSA6520S
	2.5mm		DSSA6525S
	3.5mm		DSSA6535S
	4.5mm		DSSA6545S
	5.5mm		DSSA6555S

※ Set Code(S) : Abutment + Healing Cap



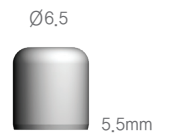
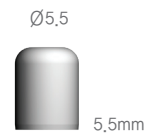
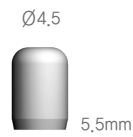
Sole Abutment Healing Cap (Narrow)

Abutment Diameter	P/H	Code No.
Ø4.0	5.5mm	DSSASHC405



Sole Healing Cap (Regular / Wide)

Abutment Diameter	P/H	Code No.
Ø4.5	5.5mm	DSHC455
Ø5.5	5.5mm	DSHC555
Ø6.5	5.5mm	DSHC655



Lab Analog (Narrow)

Abutment Diameter	P/H	Code No.
Ø4.0	5,5mm	DSSLAS405

Ø4.0



Lab Analog (Regular / Wide)

Abutment Diameter	P/H	Code No.
Ø4.5	5,5mm	DSSLA45
Ø5.5	5,5mm	DSSLA55
Ø6.5	5,5mm	DSSLA65

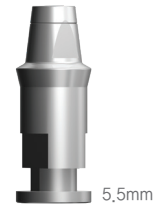
Ø4.5



Ø5.5



Ø6.5



Impression Positioning Cylinder (Narrow)

Abutment Diameter	P/H	Code No.
Ø4.0	5,5mm	DSIPCS405

Ø4.0



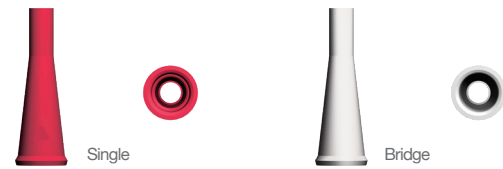
Impression Positioning Cylinder (Regular / Wide)

Abutment Diameter	P/H	Code No.
Ø4,5	5,5mm	DSIPC455
Ø5,5	5,5mm	DSIPC555
Ø6,5	5,5mm	DSIPC655



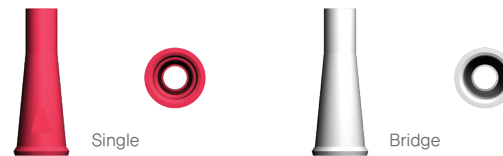
Plastic Coping (Narrow)

Abutment Diameter	Type	Code No.
Ø4,0	Single Bridge	DSSASP40S DSSASP40B



Plastic Coping (Regular / Wide)

Abutment Diameter	Type	Code No.
Ø4,5	Single Bridge	DSSAP45S DSSAP45B



Abutment Diameter	Type	Code No.
Ø5,5	Single Bridge	DSSAP55S DSSAP55B



Abutment Diameter	Type	Code No.
Ø6,5	Single Bridge	DSSAP65S DSSAP65B



Prosthetic Flow Diagrams for OneQ Couple system

Fixture Level Impression / Cemented Restoration / Screw Restoration

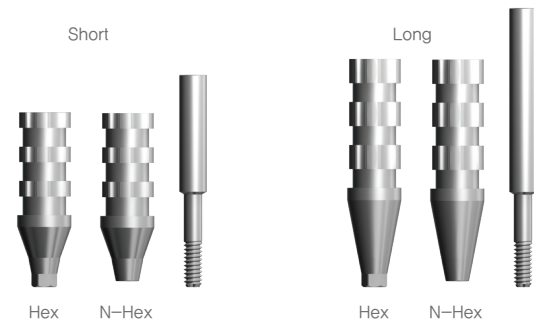
 Narrow Type

Description	Flow	Tool
Screw		 1,25 Hex Driver
Lab Analog		
Impression Coping		 1,25 Hex Driver
Abutment		 1,25 Hex Driver
		 1,25 Hex Driver
OneQ Fixture		 No-mount Driver Ratchet Driver

Pick-Up Impression Coping (Narrow)

Abutment Diameter	Type	Height	Code No.
Ø4.0	Hex	Short	DSIHS40SS
		Long	DSIHS40LS
	N-Hex	Short	DSINS40SS
		Long	DSINS40LS

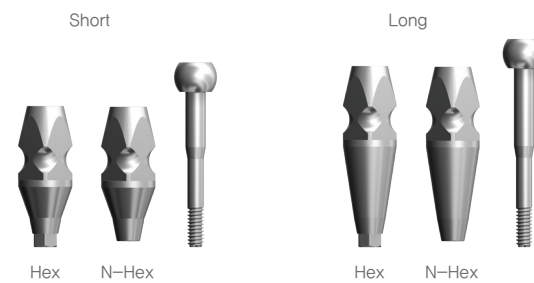
※ Set Code(S) : Impression Body + Pin



Transfer Impression Coping (Narrow)

Abutment Diameter	Type	Height	Code No.
Ø4.0	Hex	Short	DSITHS40SS
		Long	DSITHS40LS
	N-Hex	Short	DSITNS40SS
		Long	DSITNS40LS

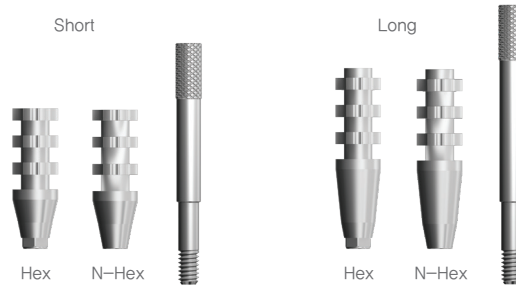
※ Set Code(S) : Impression Body + Pin



Pick-Up Impression Coping (Regular / Wide)

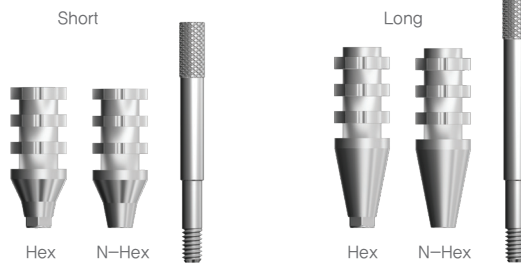
Abutment Diameter	Type	Height	Code No.
Ø4.5	Hex	Short	DSIH45SS
		Long	DSIH45LS
	N-Hex	Short	DSIN45SS
		Long	DSIN45LS

※ Set Code(S) : Impression Body + Pin



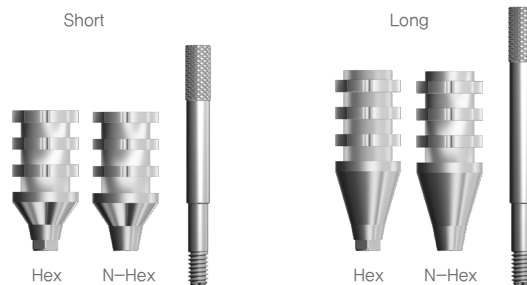
Abutment Diameter	Type	Height	Code No.
Ø5.5	Hex	Short	DSIH55SS
		Long	DSIH55LS
	N-Hex	Short	DSIN55SS
		Long	DSIN55LS

※ Set Code(S) : Impression Body + Pin



Abutment Diameter	Type	Height	Code No.
Ø6.5	Hex	Short	DSIH65SS
		Long	DSIH65LS
	N-Hex	Short	DSIN65SS
		Long	DSIN65LS

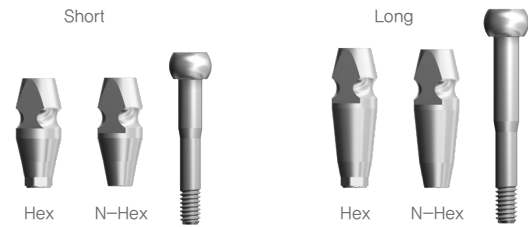
※ Set Code(S) : Impression Body + Pin



Transfer Impression Coping (Regular / Wide)

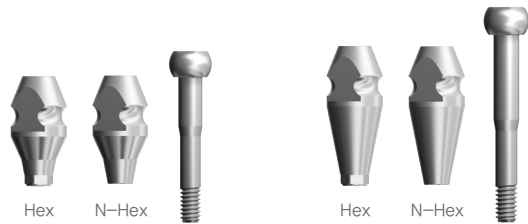
Abutment Diameter	Type	Height	Code No.
Ø4.5	Hex	Short	DSITH45SS
		Long	DSITH45LS
	N-Hex	Short	DSITN45SS
		Long	DSITN45LS

※ Set Code(S) : Impression Body + Pin



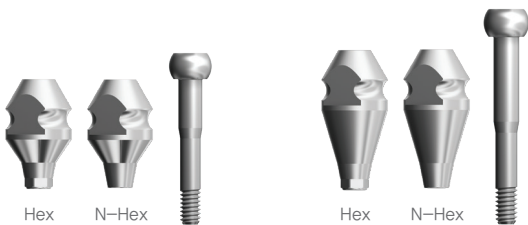
Abutment Diameter	Type	Height	Code No.
Ø5.5	Hex	Short	DSITH55SS
		Long	DSITH55LS
	N-Hex	Short	DSITN55SS
		Long	DSITN55LS

※ Set Code(S) : Impression Body + Pin



Abutment Diameter	Type	Height	Code No.
Ø6.5	Hex	Short	DSITH65SS
		Long	DSITH65LS
	N-Hex	Short	DSITN65SS
		Long	DSITN65LS

※ Set Code(S) : Impression Body + Pin



Lab Analog (Narrow)

Abutment Diameter	Code No.
Ø4.0	DSCLAS

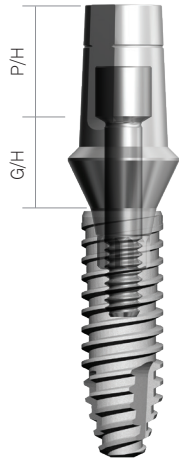


Lab Analog (Regular / Wide)

Abutment Diameter	Code No.
Ø4.5	DSCLA



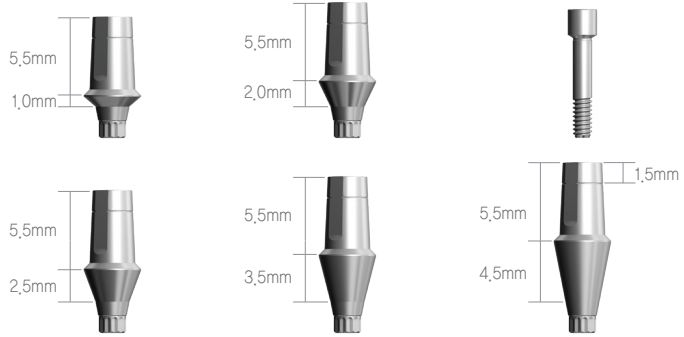
Couple Abutment (Narrow) [Hex] | Recommended torque - Narrow size : 20Ncm / Regular, wide size : 30Ncm



DSCAS40205HS + DSSOFS3310

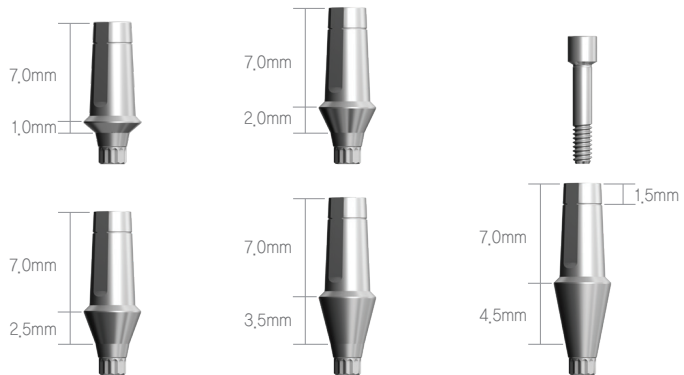
Abutment Diameter	G/H	P/H	Code No.
Ø4.0	1.0mm	5.5mm	DSCAS40105HS
	2.0mm		DSCAS40205HS
	2.5mm		DSCAS40255HS
	3.5mm		DSCAS40355HS
	4.5mm		DSCAS40455HS

※ Set Code(S) : Abutment Screw Included

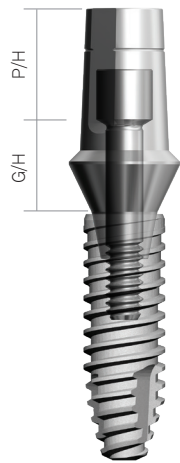


Abutment Diameter	G/H	P/H	Code No.
Ø4.0	1.0mm	7.0mm	DSCAS40107HS
	2.0mm		DSCAS40207HS
	2.5mm		DSCAS40257HS
	3.5mm		DSCAS40357HS
	4.5mm		DSCAS40457HS

※ Set Code(S) : Abutment Screw Included



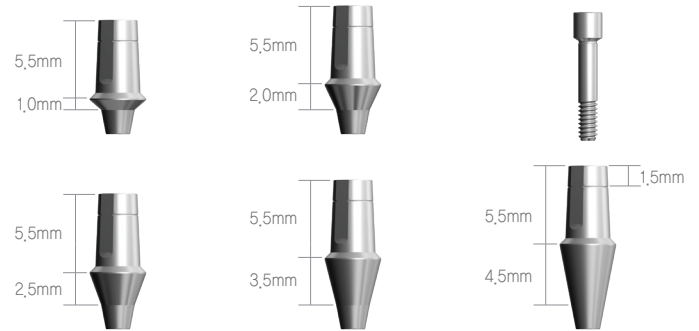
Couple Abutment (Narrow) [N-Hex] | Recommended torque - Narrow size : 20Ncm / Regular, wide size : 30Ncm |



DSCAS40205NTS + DSSOFS3310

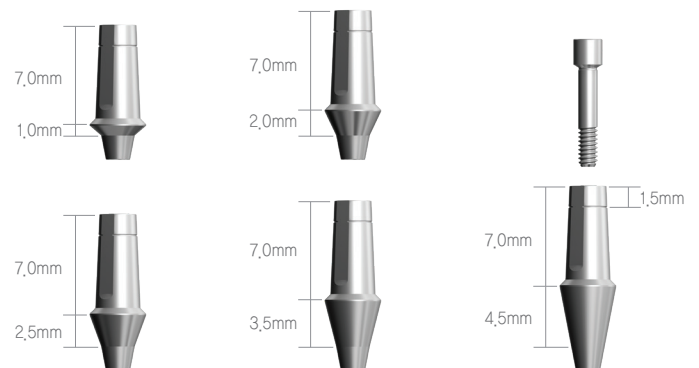
Abutment Diameter	G/H	P/H	Code No.
Ø4.0	1.0mm	5.5mm	DSCAS40105NS
	2.0mm		DSCAS40205NS
	2.5mm		DSCAS40255NS
	3.5mm		DSCAS40355NS
	4.5mm		DSCAS40455NS

※ Set Code(S) : Abutment Screw Included

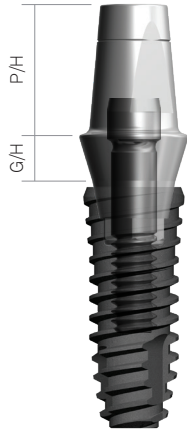


Abutment Diameter	G/H	P/H	Code No.
Ø4.0	1.0mm	7.0mm	DSCAS40107NS
	2.0mm		DSCAS40207NS
	2.5mm		DSCAS40257NS
	3.5mm		DSCAS40357NS
	4.5mm		DSCAS40457NS

※ Set Code(S) : Abutment Screw Included



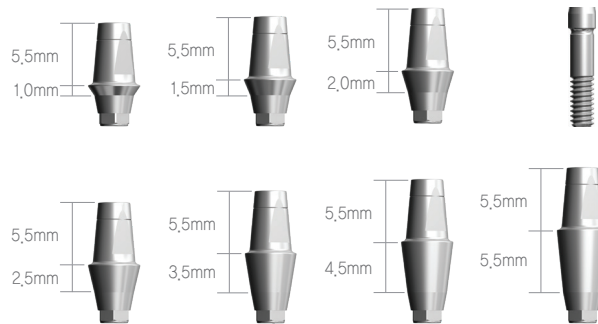
Couple Abutment (Regular / Wide) [Hex]



DSCA4520HS + DSSOFR4210

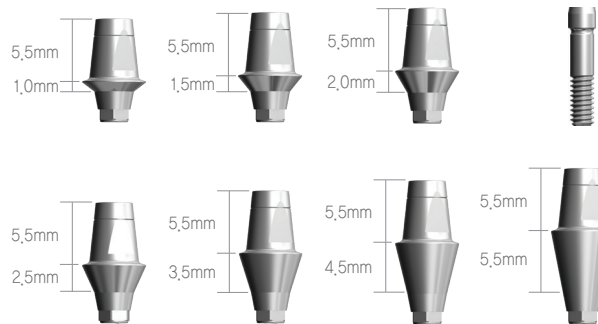
Abutment Diameter	G/H	P/H	Code No.
Ø4.5	1.0mm	5.5mm	DSCA4510HS
	1.5mm		DSCA4515HS
	2.0mm		DSCA4520HS
	2.5mm		DSCA4525HS
	3.5mm		DSCA4535HS
	4.5mm		DSCA4545HS
	5.5mm		DSCA4555HS

※ Set Code(S) : Abutment Screw Included



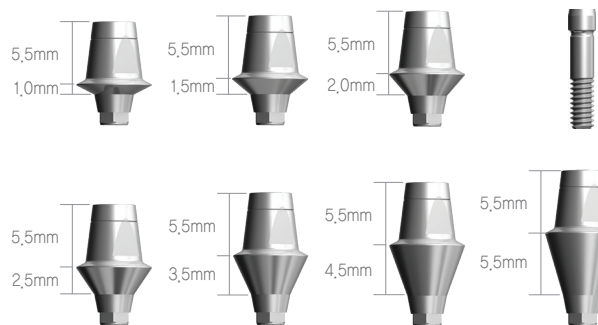
Abutment Diameter	G/H	P/H	Code No.
Ø5.5	1.0mm	5.5mm	DSCA5510HS
	1.5mm		DSCA5515HS
	2.0mm		DSCA5520HS
	2.5mm		DSCA5525HS
	3.5mm		DSCA5535HS
	4.5mm		DSCA5545HS
	5.5mm		DSCA5555HS

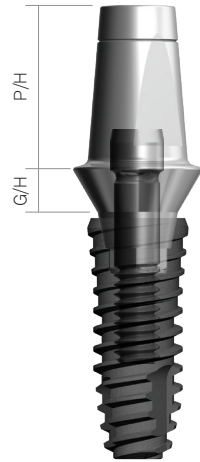
※ Set Code(S) : Abutment Screw Included



Abutment Diameter	G/H	P/H	Code No.
Ø6.5	1.5mm	5.5mm	DSCA6515HS
	2.0mm		DSCA6520HS
	2.5mm		DSCA6525HS
	3.5mm		DSCA6535HS
	4.5mm		DSCA6545HS
	5.5mm		DSCA6555HS

※ Set Code(S) : Abutment Screw Included

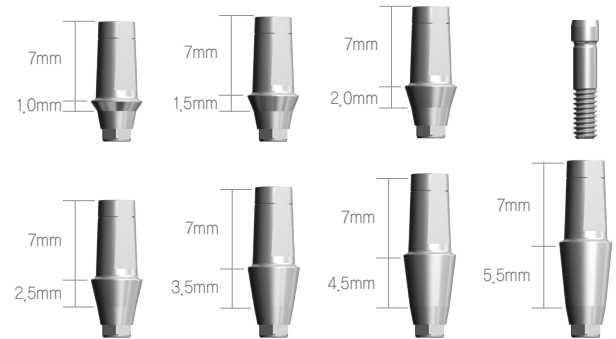




DSCA5520H7S + DSSOFR4210

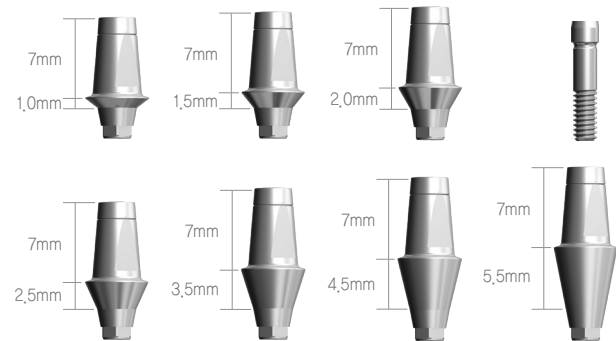
Abutment Diameter	G/H	P/H	Code No.
Ø4.5	1.0mm	7mm	DSCA4510H7S
	1.5mm		DSCA4515H7S
	2.0mm		DSCA4520H7S
	2.5mm		DSCA4525H7S
	3.5mm		DSCA4535H7S
	4.5mm		DSCA4545H7S
	5.5mm		DSCA4555H7S

※ Set Code(S) : Abutment Screw Included



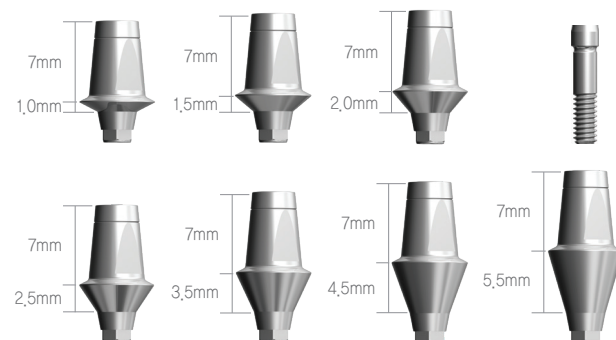
Abutment Diameter	G/H	P/H	Code No.
Ø5.5	1.0mm	7mm	DSCA5510H7S
	1.5mm		DSCA5515H7S
	2.0mm		DSCA5520H7S
	2.5mm		DSCA5525H7S
	3.5mm		DSCA5535H7S
	4.5mm		DSCA5545H7S
	5.5mm		DSCA5555H7S

※ Set Code(S) : Abutment Screw Included

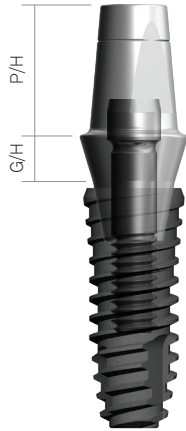


Abutment Diameter	G/H	P/H	Code No.
Ø6.5	1.5mm	7mm	DSCA6515H7S
	2.0mm		DSCA6520H7S
	2.5mm		DSCA6525H7S
	3.5mm		DSCA6535H7S
	4.5mm		DSCA6545H7S
	5.5mm		DSCA6555H7S

※ Set Code(S) : Abutment Screw Included



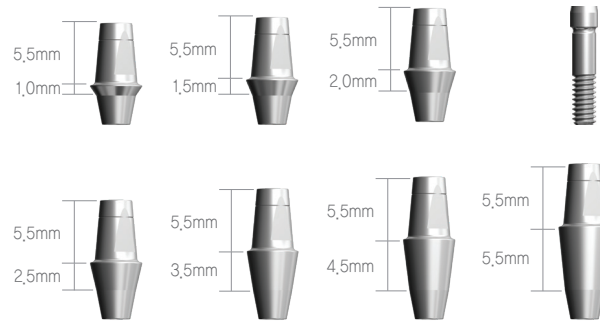
Couple Abutment (Regular / Wide) [N-Hex]



DSCA4520NS + DSSOFR4210

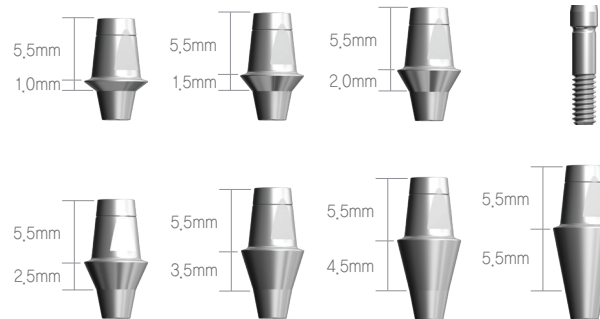
Abutment Diameter	G/H	P/H	Code No.
Ø4.5	1.0mm	5.5mm	DSCA4510NS
	1.5mm		DSCA4515NS
	2.0mm		DSCA4520NS
	2.5mm		DSCA4525NS
	3.5mm		DSCA4535NS
	4.5mm		DSCA4545NS
	5.5mm		DSCA4555NS

※ Set Code(S) : Abutment Screw Included



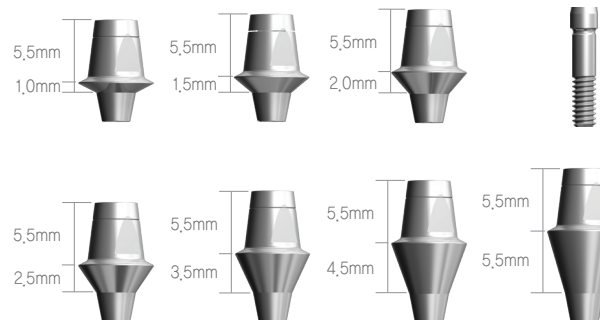
Abutment Diameter	G/H	P/H	Code No.
Ø5.5	1.0mm	5.5mm	DSCA5510NS
	1.5mm		DSCA5515NS
	2.0mm		DSCA5520NS
	2.5mm		DSCA5525NS
	3.5mm		DSCA5535NS
	4.5mm		DSCA5545NS
	5.5mm		DSCA5555NS

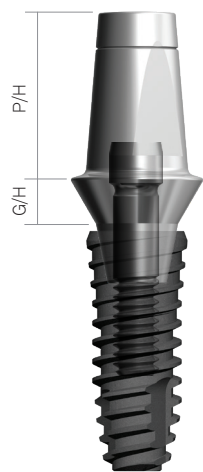
※ Set Code(S) : Abutment Screw Included



Abutment Diameter	G/H	P/H	Code No.
Ø6.5	1.5mm	5.5mm	DSCA6515NS
	2.0mm		DSCA6520NS
	2.5mm		DSCA6525NS
	3.5mm		DSCA6535NS
	4.5mm		DSCA6545NS
	5.5mm		DSCA6555NS

※ Set Code(S) : Abutment Screw Included





DSCA5520N7S + DSSOFR4210

Abutment Diameter	G/H	P/H	Code No.
Ø4.5	1.0mm	7mm	DSCA4510N7S
	1.5mm		DSCA4515N7S
	2.0mm		DSCA4520N7S
	2.5mm		DSCA4525N7S
	3.5mm		DSCA4535N7S
	4.5mm		DSCA4545N7S
	5.5mm		DSCA4555N7S

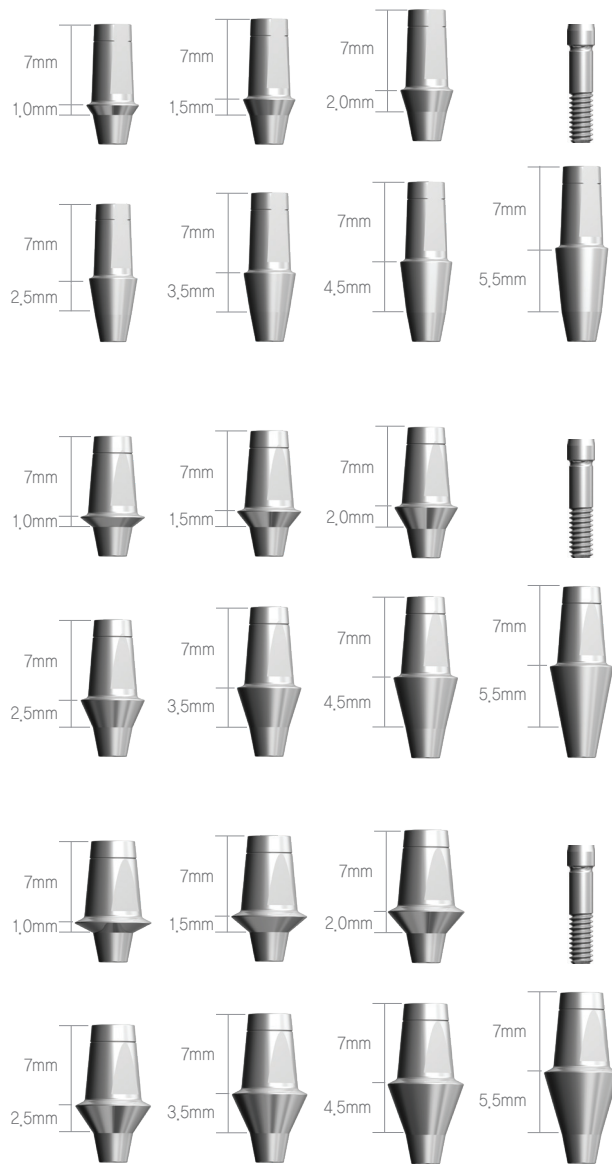
※ Set Code(S) : Abutment Screw Included

Abutment Diameter	G/H	P/H	Code No.
Ø5.5	1.0mm	7mm	DSCA5510N7S
	1.5mm		DSCA5515N7S
	2.0mm		DSCA5520N7S
	2.5mm		DSCA5525N7S
	3.5mm		DSCA5535N7S
	4.5mm		DSCA5545N7S
	5.5mm		DSCA5555N7S

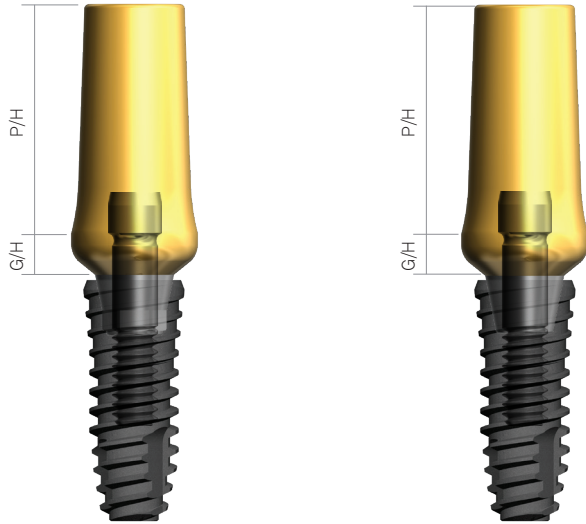
※ Set Code(S) : Abutment Screw Included

Abutment Diameter	G/H	P/H	Code No.
Ø6.5	1.5mm	7mm	DSCA6515N7S
	2.0mm		DSCA6520N7S
	2.5mm		DSCA6525N7S
	3.5mm		DSCA6535N7S
	4.5mm		DSCA6545N7S
	5.5mm		DSCA6555N7S

※ Set Code(S) : Abutment Screw Included



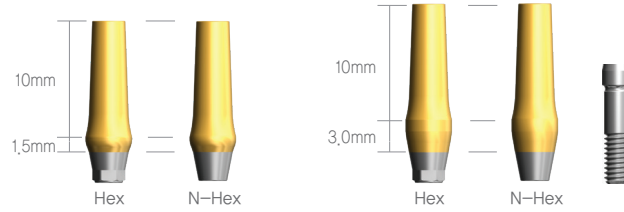
FreeMill Abutment (Regular / Wide) [Hex / N-Hex]



DSFMA5520HHCTS + DSSOFR4210 DSFMA5520NHCTS + DSSOFR4210

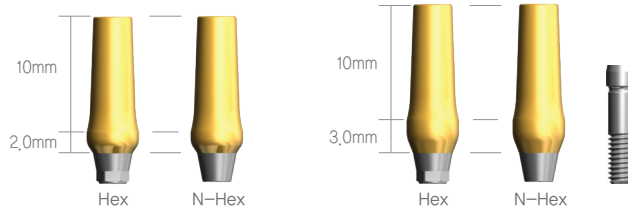
Abutment Diameter	G/H	Type	Code No.
Ø4.0	1,5mm	Hex N-Hex	DSFMA4015HHCTS DSFMA4015NHCTS
	3,0mm	Hex N-Hex	DSFMA4030HHCTS DSFMA4030NHCTS

※ Set Code(S) : Abutment Screw Included



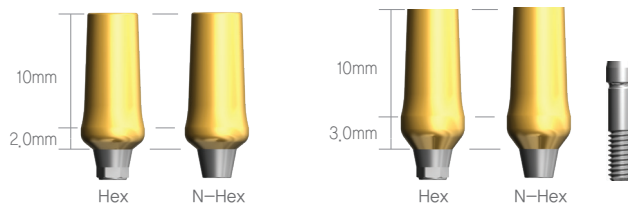
Abutment Diameter	G/H	Type	Code No.
Ø4.5	2,0mm	Hex N-Hex	DSFMA4520HHCTS DSFMA4520NHCTS
	3,0mm	Hex N-Hex	DSFMA4530HHCTS DSFMA4530NHCTS

※ Set Code(S) : Abutment Screw Included



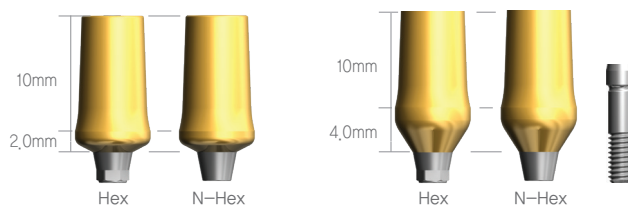
Abutment Diameter	G/H	Type	Code No.
Ø5.5	2,0mm	Hex N-Hex	DSFMA5520HHCTS DSFMA5520NHCTS
	3,0mm	Hex N-Hex	DSFMA5530HHCTS DSFMA5530NHCTS

※ Set Code(S) : Abutment Screw Included

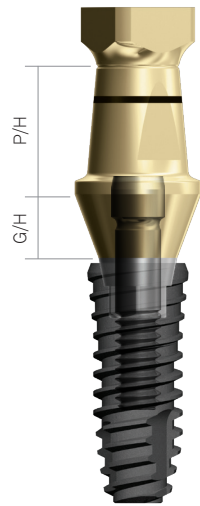


Abutment Diameter	G/H	Type	Code No.
Ø6.5	2,0mm	Hex N-Hex	DSFMA6520HHCTS DSFMA6520NHCTS
	4,0mm	Hex N-Hex	DSFMA6540HHCTS DSFMA6540NHCTS

※ Set Code(S) : Abutment Screw Included



MOA Abutment



DSMA55305HCS + DSSOFR4210

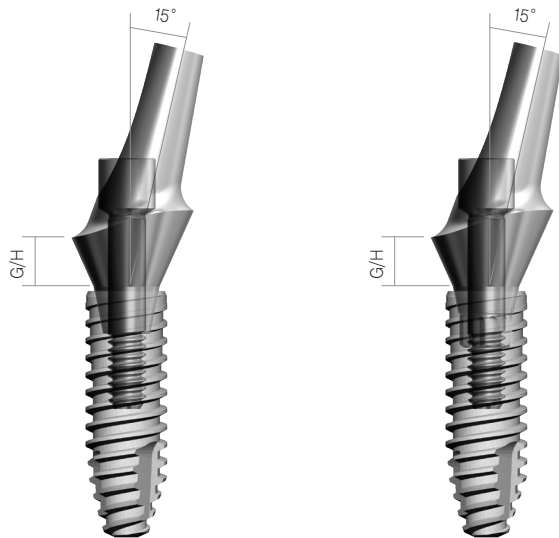
Abutment Diameter	G/H	P/H	Code No.
Ø4.5	2.8	7.0	DSMA45307HCS
Ø5.5	2.8	5.5	DSMA55305HCS

※ Set Code(S) : Abutment Screw Included



Angled Abutment (Narrow) [15°]

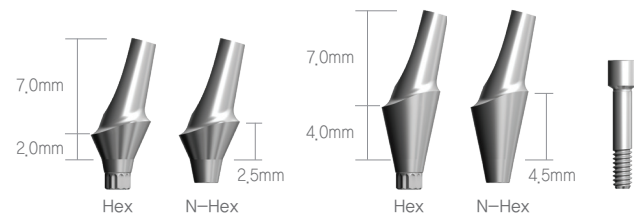
| Recommended torque - Narrow size : 20Ncm / Regular, wide size : 30Ncm |



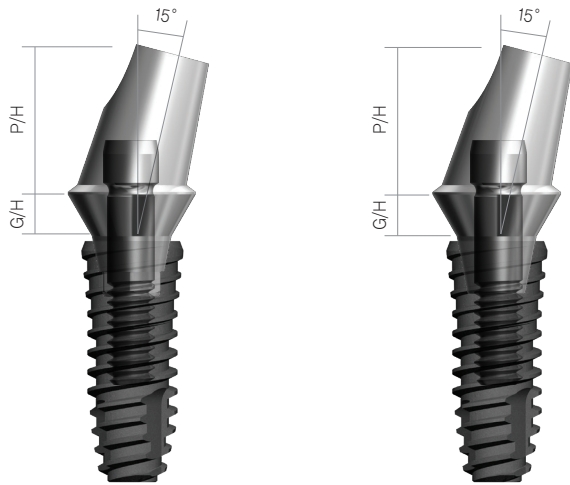
DSAAS40152HS + DSSOFS3310 DSAAS40152NS + DSSOFS3310

Abutment Diameter	Angle	G/H	Type	Code No.
Ø4.0	15°	2mm	Hex	DSAAS40152HS
			N-Hex	DSAAS40152NS
		4mm	Hex	DSAAS40154HS
			N-Hex	DSAAS40154NS

※ Set Code(S) : Abutment Screw Included



Angled Abutment (Regular / Wide) [15°]

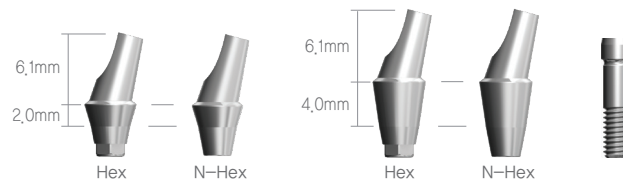


DSAA55152HS + DSSOFR4210

DSAA55152NS + DSSOFR4210

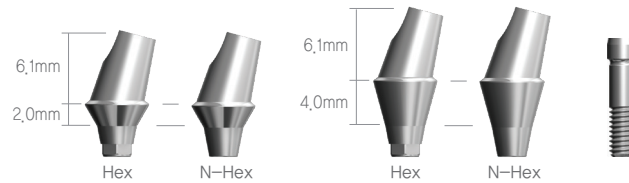
Abutment Diameter	Angle	G/H	Type	Code No.
Ø4.5	15°	2mm	Hex	DSAA45152HS
			N-Hex	DSAA45152NHS
		4mm	Hex	DSAA45154HS
			N-Hex	DSAA45154NHS

※ Set Code(S) : Abutment Screw Included



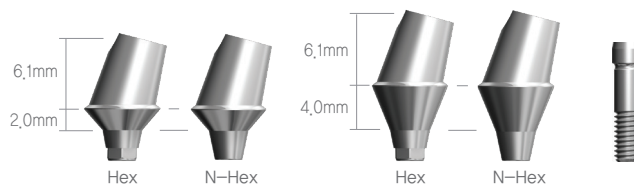
Abutment Diameter	Angle	G/H	Type	Code No.
Ø5.5	15°	2mm	Hex	DSAA55152HS
			N-Hex	DSAA55152NHS
		4mm	Hex	DSAA55154HS
			N-Hex	DSAA55154NHS

※ Set Code(S) : Abutment Screw Included

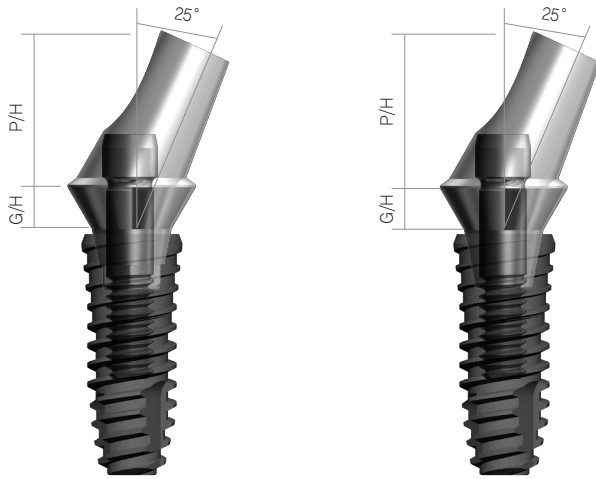


Abutment Diameter	Angle	G/H	Type	Code No.
Ø6.5	15°	2mm	Hex	DSAA65152HS
			N-Hex	DSAA65152NHS
		4mm	Hex	DSAA65154HS
			N-Hex	DSAA65154NHS

※ Set Code(S) : Abutment Screw Included



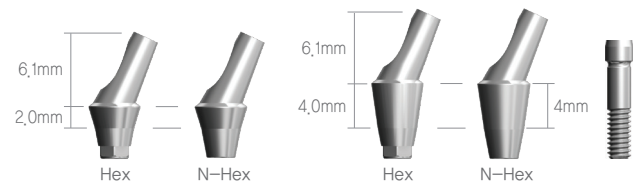
Angled Abutment (Regular / Wide) [25°]



DSAA55252HS + DSSOFR4210

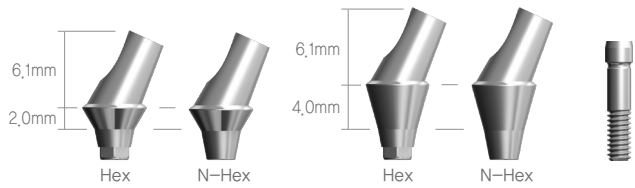
DSAA55252NS + DSSOFR4210

Abutment Diameter	Angle	G/H	Type	Code No.
Ø4,5	25°	2mm	Hex	DSAA45252HS
			N-Hex	DSAA45252NHS
		4mm	Hex	DSAA45254HS
			N-Hex	DSAA45254NHS



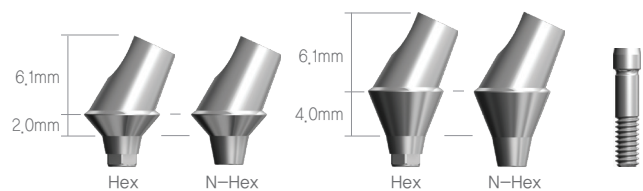
※ Set Code(S) : Abutment Screw Included

Abutment Diameter	Angle	G/H	Type	Code No.
Ø5,5	25°	2mm	Hex	DSAA55252HS
			N-Hex	DSAA55252NHS
		4mm	Hex	DSAA55254HS
			N-Hex	DSAA55254NHS



※ Set Code(S) : Abutment Screw Included

Abutment Diameter	Angle	G/H	Type	Code No.
Ø6,5	25°	2mm	Hex	DSAA65252HS
			N-Hex	DSAA65252NHS
		4mm	Hex	DSAA65254HS
			N-Hex	DSAA65254NHS

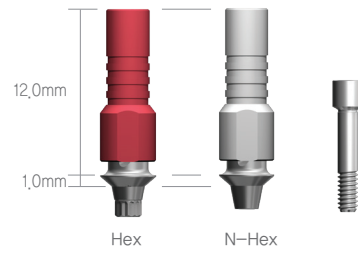


※ Set Code(S) : Abutment Screw Included

Gold UCLA (Narrow) | Recommended torque - Narrow size : 20Ncm / Regular, wide size : 30Ncm

Abutment Diameter	Type	Code No.
Ø4.0	Hex	DSGUASHS
	N-Hex	DSGUASNS

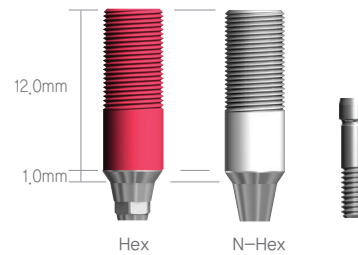
※ Set Code(S) : Abutment Screw Included



Gold UCLA (Regular / Wide)

Abutment Diameter	Type	Code No.
Ø4.5	Hex	DSGCHS
	N-Hex	DSGCNS

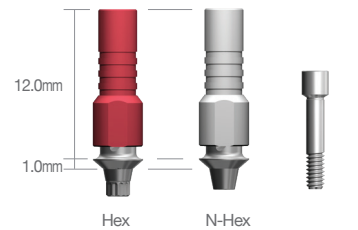
※ Set Code(S) : Abutment Screw Included



CCM UCLA (Narrow) | Recommended torque - Narrow size : 20Ncm / Regular, wide size : 30Ncm

Abutment Diameter	Type	Code No.
Ø4.0	Hex	DSCUASHS
	N-Hex	DSCUASNS

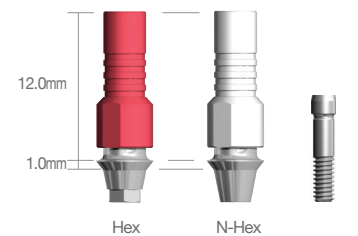
※ Set Code(S) : Abutment + Abutment Screw[DSASS]



CCM UCLA (Regular / Wide)

Abutment Diameter	Type	Code No.
Ø4.5	Hex	DSCUAHS
	N-Hex	DSCUANS

※ Set Code(S) : Abutment + Abutment Screw[DSAS]



Plastic UCLA (Regular / Wide)

Abutment Diameter	Type	Code No.
Ø4.5	Hex	DSPCHS
	N-Hex	DSPCNS

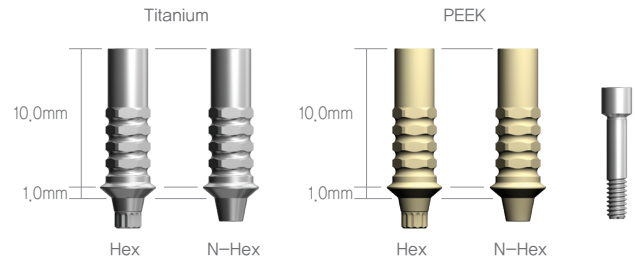
※ Set Code(S) : Abutment + Abutment Screw[DSAS]



Temporary Abutment (Narrow)

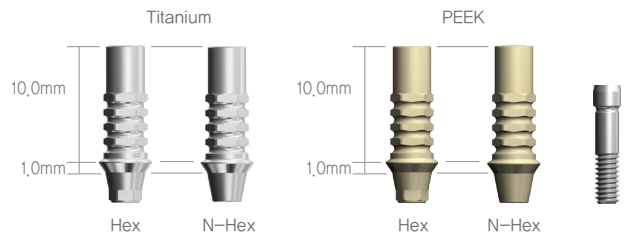
Recommended torque - Narrow size : 20Ncm / Regular, wide size : 30Ncm

Abutment Diameter	Material	Type	Code No.
Ø4.0	Titanium	Hex N-Hex	DSTAS40HS DSTAS40NS
	PEEK	Hex N-Hex	DSPTS40HS DSPTS40NS



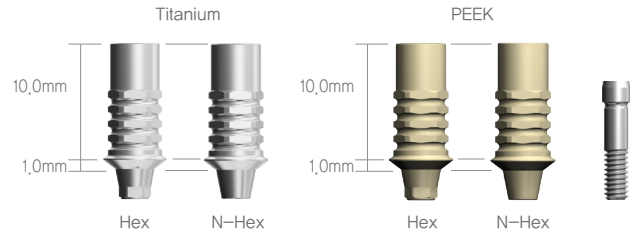
Temporary Abutment (Regular / Wide)

Abutment Diameter	Material	Type	Code No.
Ø4.5	Titanium	Hex N-Hex	DSTA45HS DSTA45NS
	PEEK	Hex N-Hex	DSPT45HS DSPT45NS



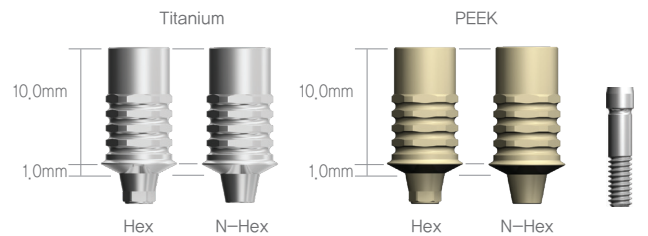
※ Set Code(S) : Abutment Screw Included

Abutment Diameter	Material	Type	Code No.
Ø5.5	Titanium	Hex N-Hex	DSTA55HS DSTA55NS
	PEEK	Hex N-Hex	DSPT55HS DSPT55NS



※ Set Code(S) : Abutment Screw Included

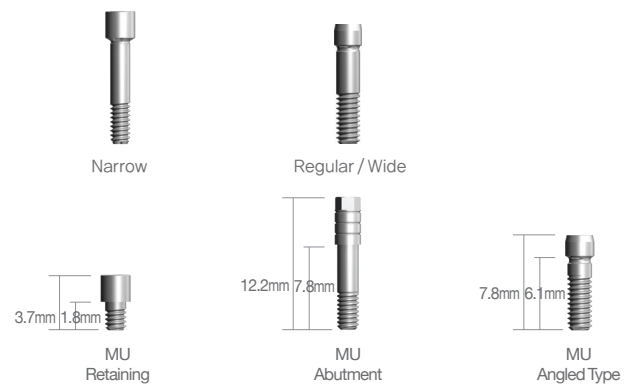
Abutment Diameter	Material	Type	Code No.
Ø6.5	Titanium	Hex N-Hex	DSTA65HS DSTA65NS
	PEEK	Hex N-Hex	DSPT65HS DSPT65NS



※ Set Code(S) : Abutment Screw Included



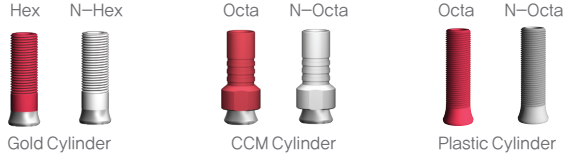






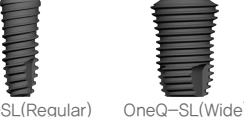
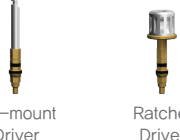
Abutment Screw

Type	Code No.
Narrow	DSASS
Regular / Wide	DSAS
MU Retaining	DMRTS
MU Abutment	DSMAS10/20/30/40
MU Angled Type	DSMAS

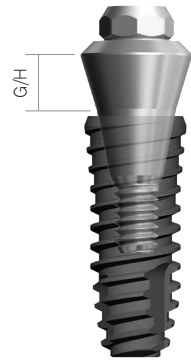


Prosthetic Flow Diagrams for OneQ Sub Octa system

Abutment Level Impression / Screw Restoration

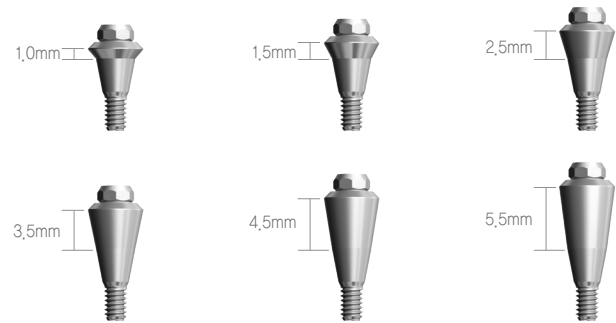
Description	Flow	Tool
Screw		 1,2 Hex Driver
Cylinder		
Lab Analog		
Impression Coping		 1,2 Hex Driver
Sub Octa Abutment		
		 1,25 Hex Driver
OneQ Fixture		 No-mount Driver Ratchet Driver

Sub Octa Abutment (Regular / Wide)



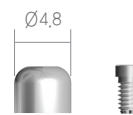
DSOA482 + DSSOFR4210

Abutment Diameter	G/H	Code No.
Ø4.8	1.0mm	DSOA480
	1.5mm	DSOA481
	2.5mm	DSOA482
	3.5mm	DSOA483
	4.5mm	DSOA484
	5.5mm	DSOA485



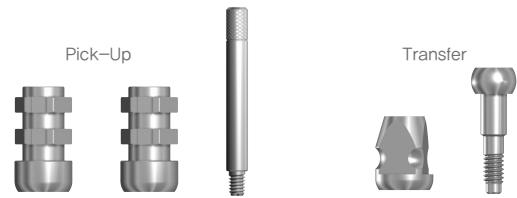
Octa Healing Cap

Abutment Diameter	Code No.
Ø4.8	DIOHC



Impression Coping

Abutment Diameter	Type	Code No.
Ø4.8	Pick-Up	DIOIOS DIOINS
	Transfer	DIOTIS



※ Set Code(S) : Impression Body + Pin

Lab Analog

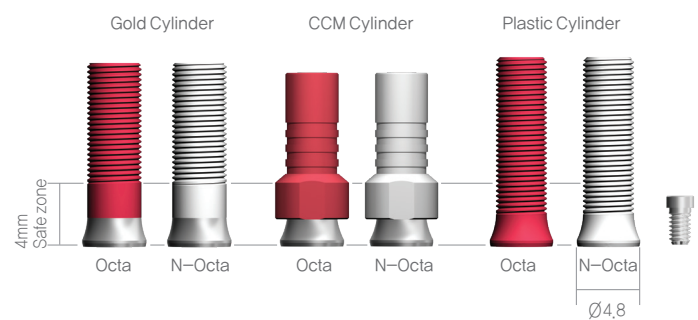
Abutment Diameter	Code No.
Ø4.8	DIOLA



Cylinder













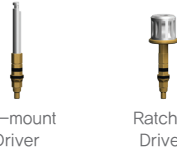
Abutment Diameter	Type	Angle	Code No.
Ø4.8	Gold	Octa	DIOGCOS
		N-Octa	DIOGCNS
	CCM	Octa	DIOCC48OS
		N-Octa	DIOCC48NS
	Plastic	Octa	DIOPOS
		N-Octa	DIO PNS

※ Set Code(S) : Abutment Screw Included



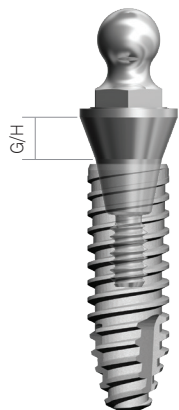
Prosthetic Flow Diagrams for OneQ Overdenture system

 Narrow Type

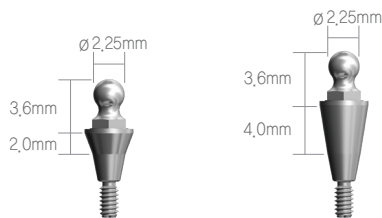
Description	Flow	Tool
Retainer	 <p>O-Ring Retainer O-Ring</p>	
O-Ring Lab Analog	  	
O-Ring Abutment Magnetic Keeper	  <p>O-Ring Abutment</p>	 <p>O-Ring Abutment Driver</p>
	  <p>Cover Screw Healing Abutment</p>	 <p>1,25 Hex Driver</p>
OneQ Fixture	  <p>OneQ-SL(Narrow) OneQ-SL(Regular) OneQ-SL(Wide)</p>	 <p>No-mount Driver Ratchet Driver</p>

O-Ring Abutment (Narrow)

| Recommended torque - Narrow size : 20Ncm / Regular, wide size : 30Ncm |



DSORAS20 + DSSOFS3310

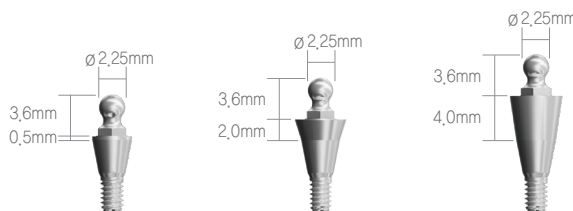


Abutment Diameter	G/H	Code No.
Ø3,5	2mm	DSORAS20
	4mm	DSORAS40

O-Ring Abutment (Regular / Wide)



DSORA20 + DSSOFR4210



Abutment Diameter	G/H	Code No.
Ø3,4	0,5mm	DSORA00
Ø4,5	2mm	DSORA20
	4mm	DSORA40

O-Ring Lab Analog

Code No.
DOLA



O-Ring Retainer

Code No.
DORS [Open]
DORCS [Close]



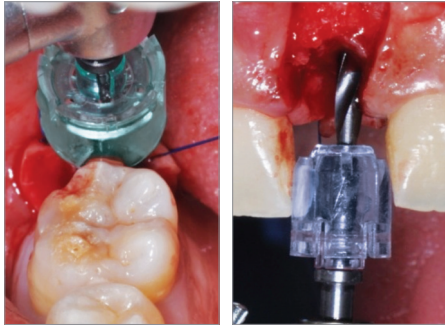
O-Ring

Abutment Diameter	Code No.
ORING (BLACK)	DOAO100
ORING1 (RED)	DOAO400
ORING2 (ORANGE)	DOAO800



Simple Implant System

DENTIS Guide Wheel



Visualized Procedure

- Visible surgery site with transparent material

Simple Protocol

- Can be used with any initial drill

Enhanced Irrigation

- Mechanically enhanced irrigation system

Avoid Cross Contamination

- One time use, disposable

Versatile

- Applicable to single to multiple cases

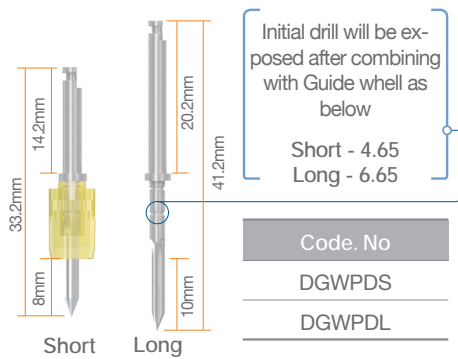
Economical Solution

- Avoid using expensive and complex guided surgery system

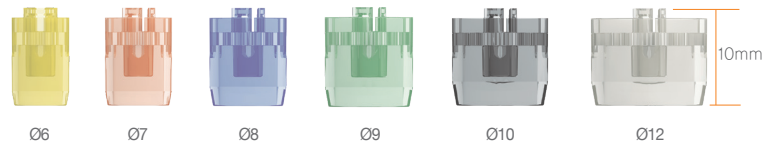
Reduced chair time

- Easy determination of osteotomy site with simple comparison between Guide wheel and adjacent tooth

Guide Wheel Initial Drill



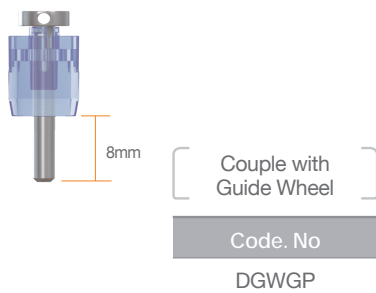
Guide Wheel



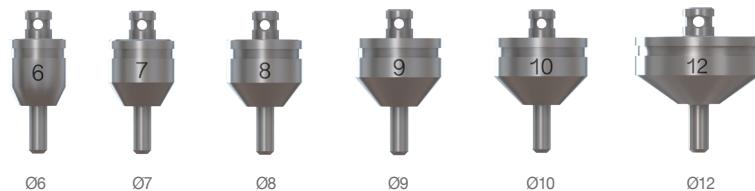
- Coupled with Initial Drill, utilize Guide Wheel for initial osteotomy and measurement for future prosthesis

Code. No	DGW6	DGW7	DGW8	DGW9	DGW10	DGW12
color	Yellow	Pink	Blue	Green	Black	Clear
Size	Ø6	Ø7	Ø8	Ø9	Ø10	Ø12

Guide Pole



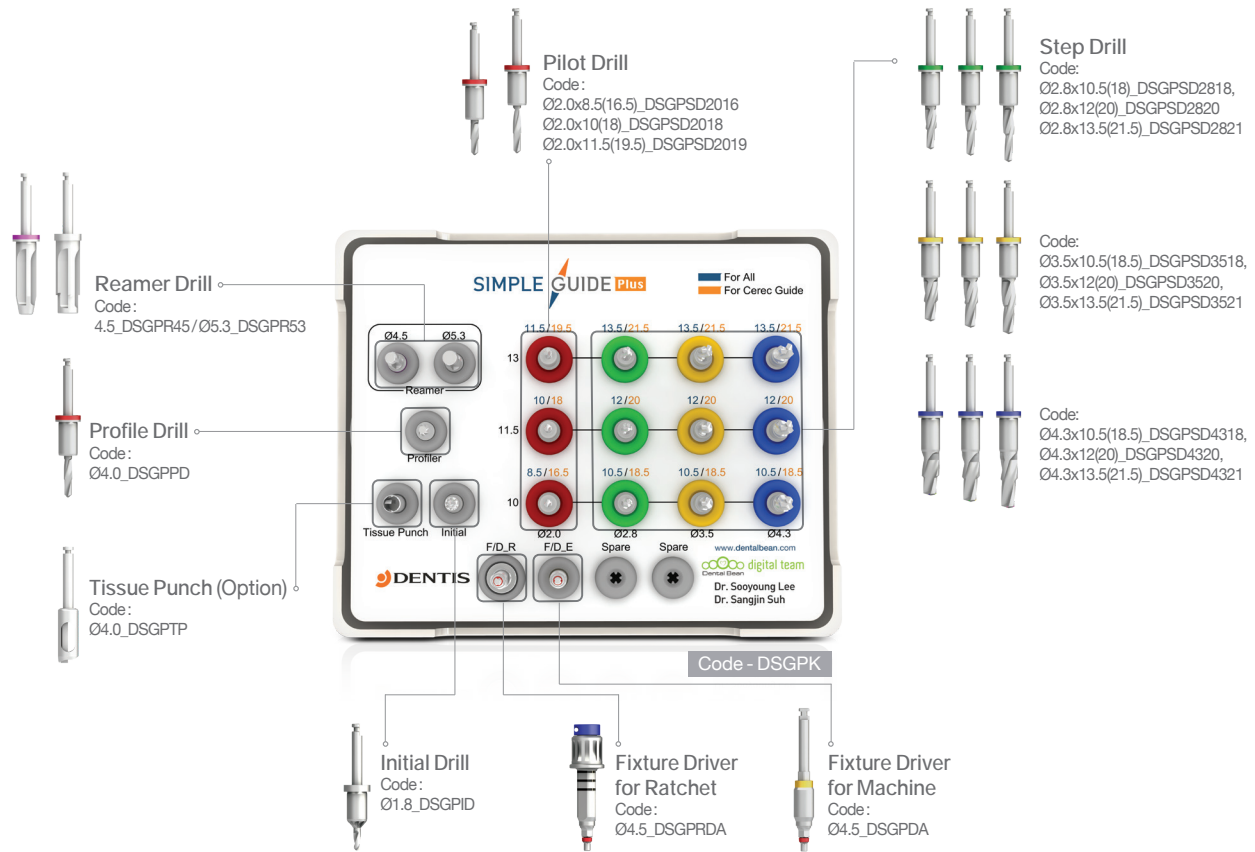
Guide Pin



- Apply Guide Pin on osteotomy to visualize future prosthesis
- Apply Guide Pin for multiple cases

Code. No	DGWP6	DGWP7	DGWP8	DGWP9	DGWP10	DGWP12
Size	Ø6	Ø7	Ø8	Ø9	Ø10	Ø12

SIMPLE GUIDE Plus



Guide Surgery Work Process



► Finish everything of your case within a day with ZENITH 3D printing system.

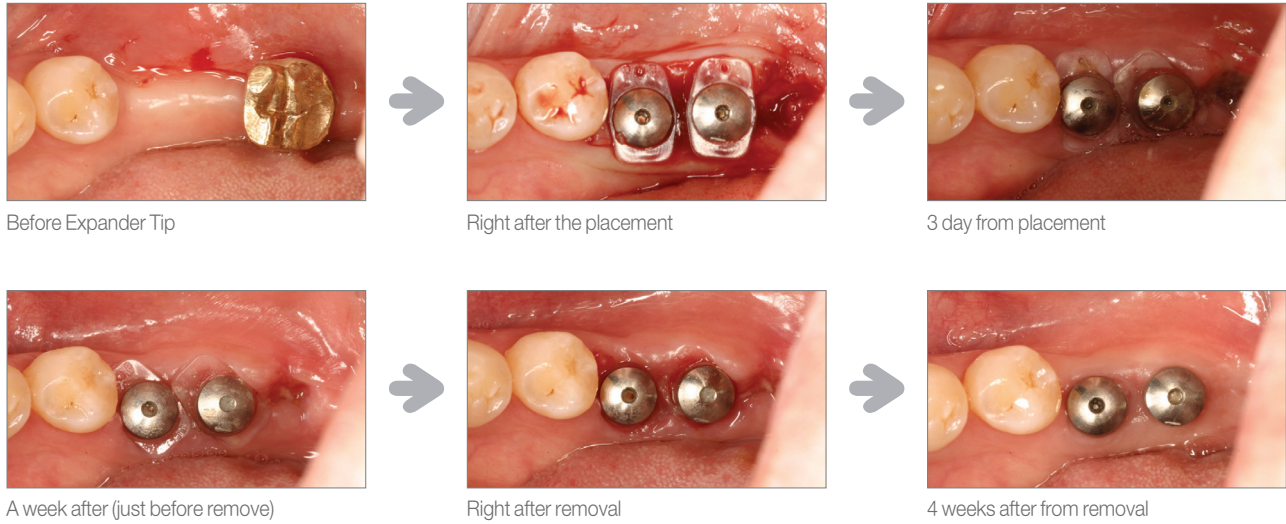
ZENITH 3D Printing System

SLA 3D Printer for Digital Dentistry

Superior accuracy with great quality.
 The perfect opportunity to join in the Digital Dentistry!
 ZENITH® 3D Printer provides the ultimate accuracy and incredible production speed.
 ZENITH® 3D Printer provides the perfect opportunity to your clinics and labs with the high precision and excellent accuracy.



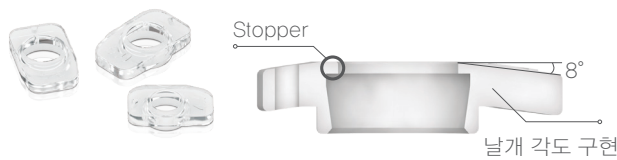
Louis Button | Easy and safe way of increasing attached-gingiva



Louis Button II (Attached Gingival Formation)

Product Name	Code No.
Louis Button II	DLB2***

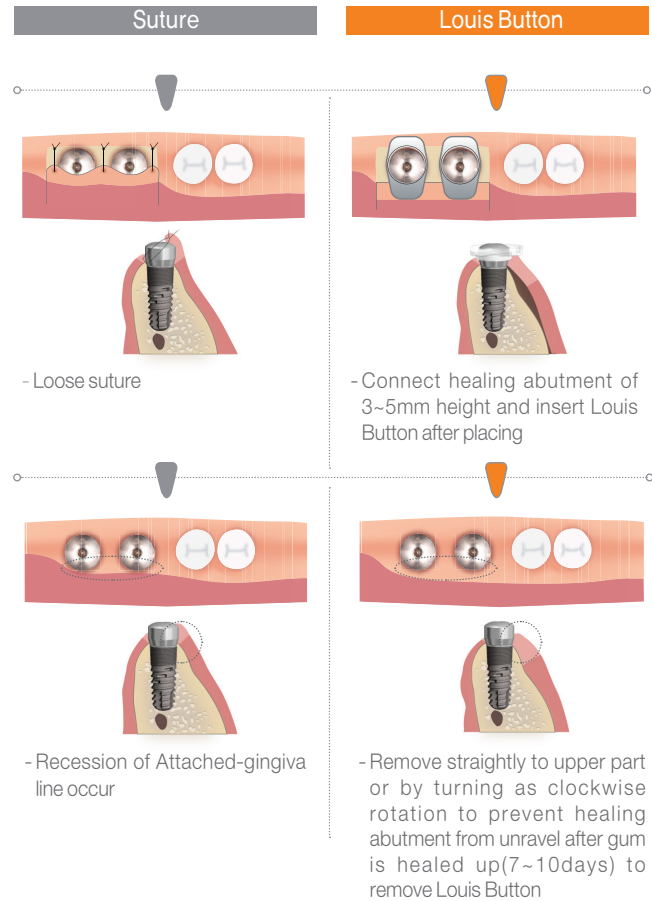
Equipment of Louis Button II



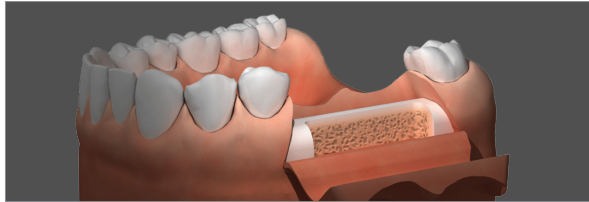
Louis Button Specification

Code No.	Diameter
DLB2T40	Ø4.0
DLB2T45	Ø4.5
DLB2T50	Ø5.0
DLB2T55	Ø5.5
DLB2T60	Ø6.0
DLB2T65	Ø6.5
DLB2T75	Ø7.5

10EA / 1BOX

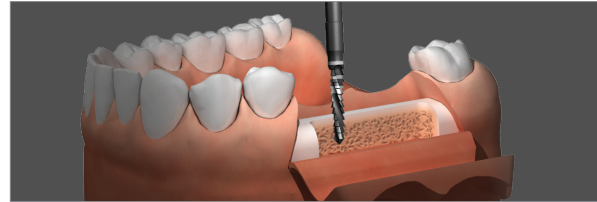


OneQ Drilling Manual



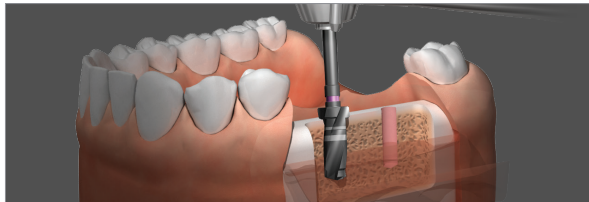
1. Incision

- Make an incision in the area where the implant will be placed.



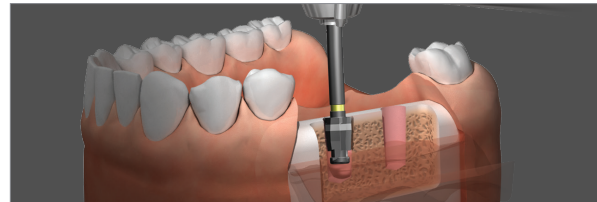
2. Lindemann Drill

- Make a guide hole for the initial drilling by using Lindemann drill.
- We recommend 1,000RPM while drilling as well as continued drilling that reaches the bottom of the laser-marked line.



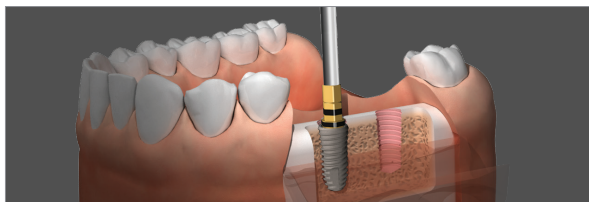
3. Straight Drill

- We recommend 800-1,000RPM while drilling as well as continued drilling that reaches the laser-marked line based on the depth.
- ※RPM can be set diversely depending on the bone density.
- Choose the appropriate drill that is equal to the length of fixture to be placed and then drilling that continues to the own stopper.



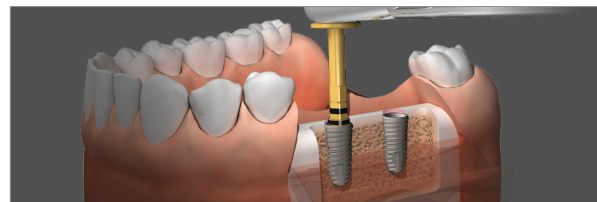
4. Countersink

- We recommend 800-1,000RPM while drilling.
- ※RPM can be set diversely depending on the bone density.
- In case of D1-D2 bone, drill until upper line of laser marking, in case of D3-D4 bone, drill until lower line of laser marking.



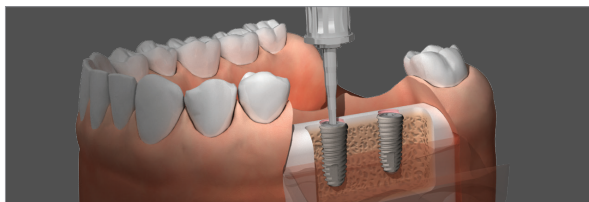
5. Fixture Placement [1]

- By using s-Clean No-Mount Driver, a component of Surgical Kit Set, place the fixture.
- We recommend 30Ncm under 20RPM while placing.
- ※Set the maximum torque to 40Ncm.



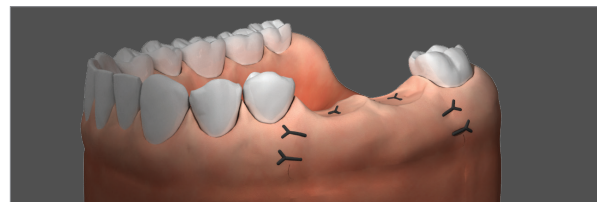
6. Fixture Placement [2]

- By using Torque Ratchet of Surgical Kit Set, connect s-Clean Ratchet Driver and then place the fixture.
- Placing that continues to the laser-marked line on the driver.
- It should be caution against too excessive torque.



7. Cover Screw Connection

- Remove the cover screw from the Ampoule case using a 1.25 hex hand driver, and then connect the screw to the fixture.
- When connecting the cover screw to the fixture, set the torque to 5-8Ncm.



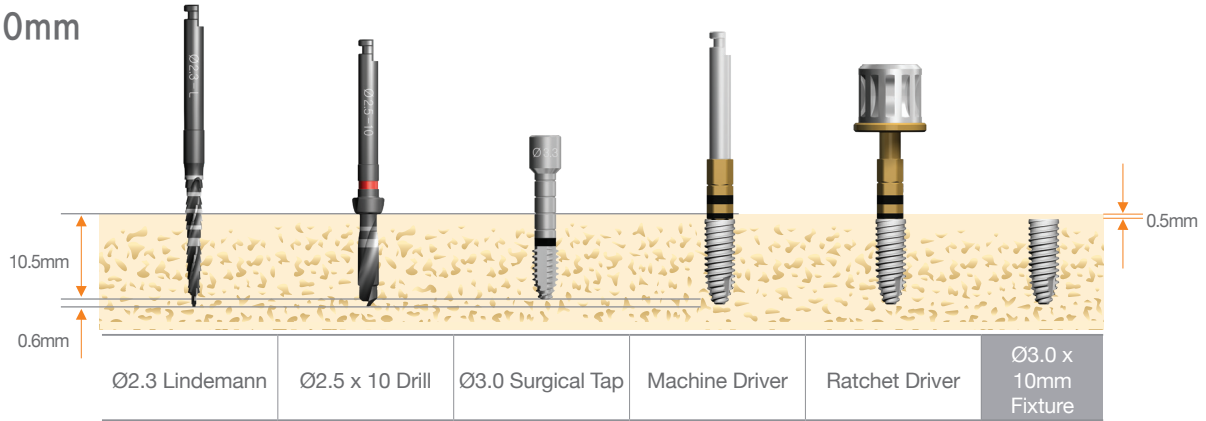
8. Suture

- After connecting the cover screw to the fixture, suture the incised gingiva.
- Make sure there is enough attached gingiva for stability.

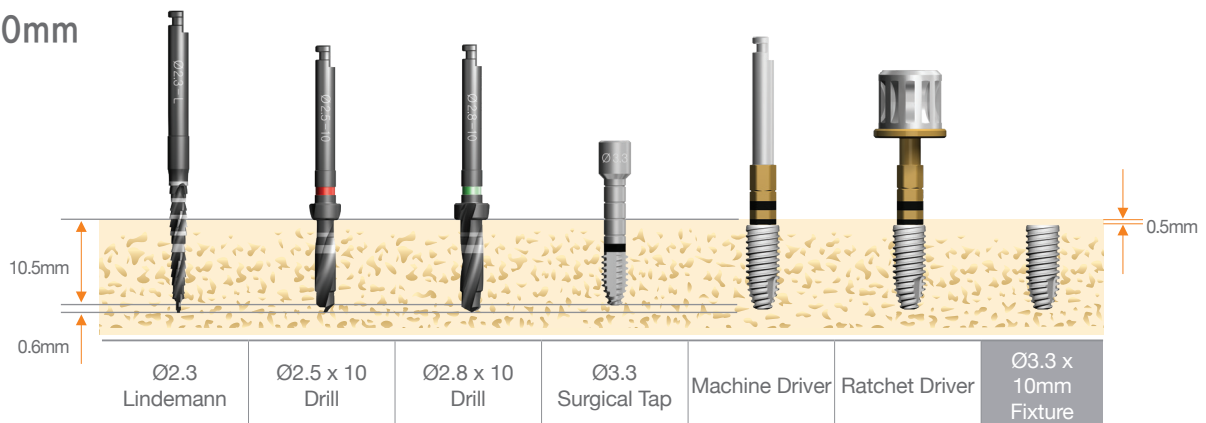
Drilling & Fixture Placement Concept

When place fixture, Drilling has to 0.5mm deeper than fixture length and place fixture 0.5mm lower than bone level.

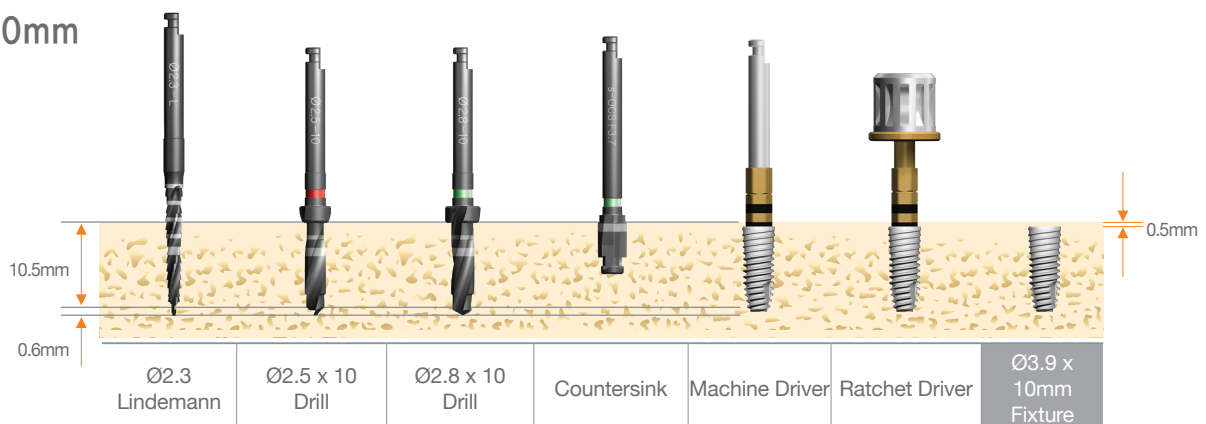
Ø3.0 x 10mm

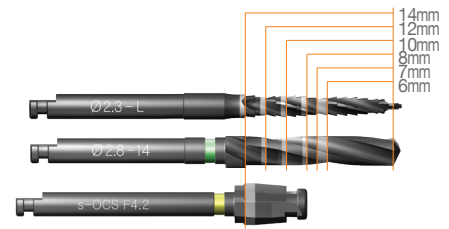


Ø3.3 x 10mm

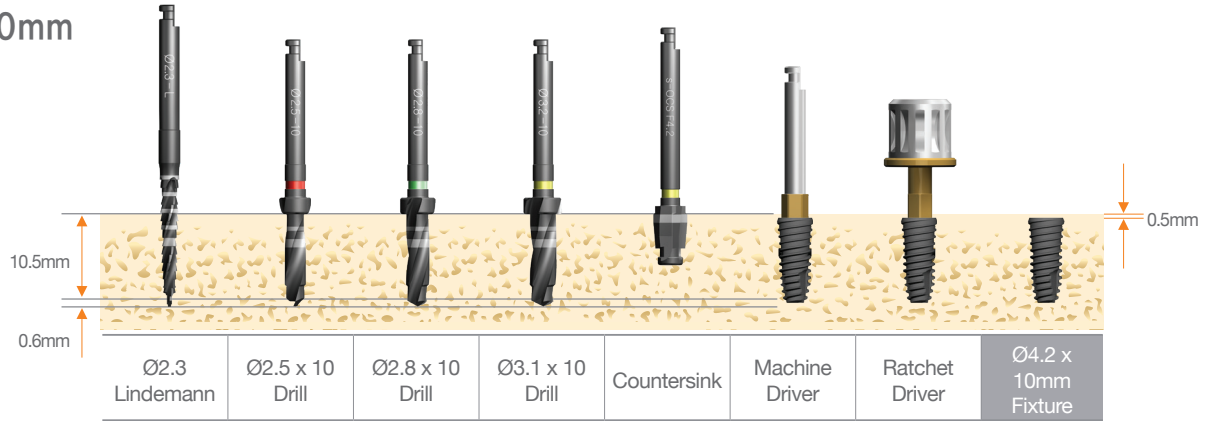


Ø3.9 x 10mm

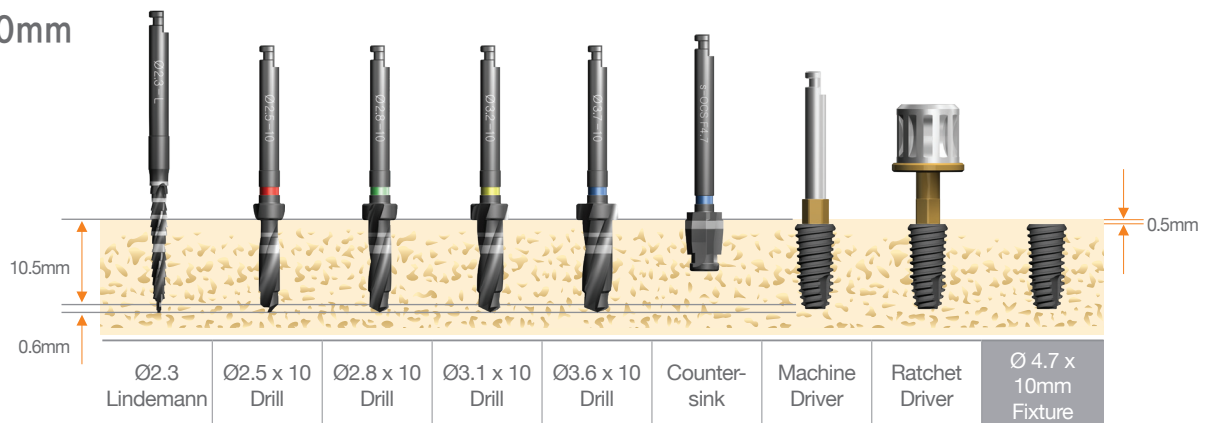




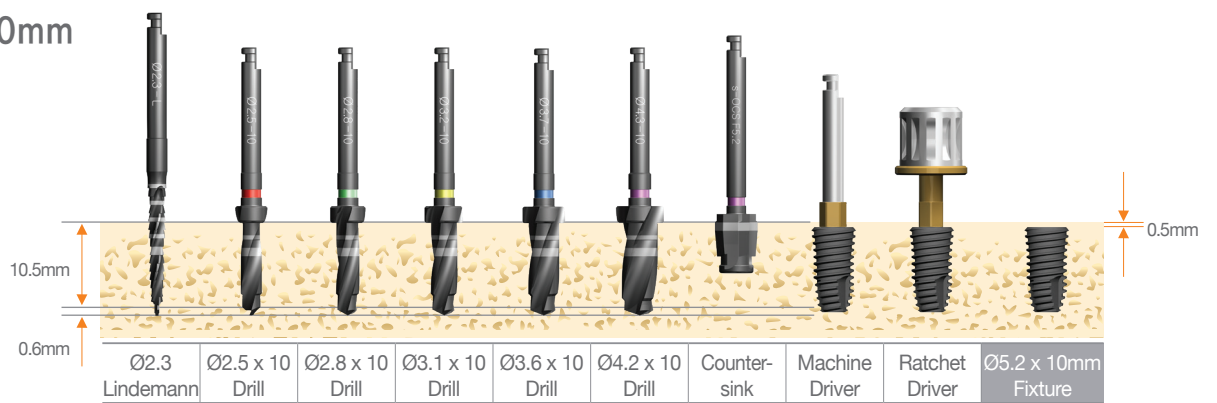
Ø4.2 x 10mm

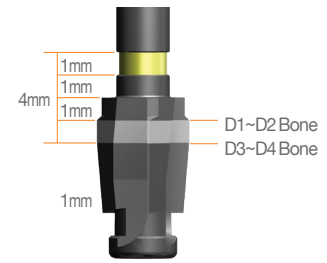


Ø4.7 x 10mm

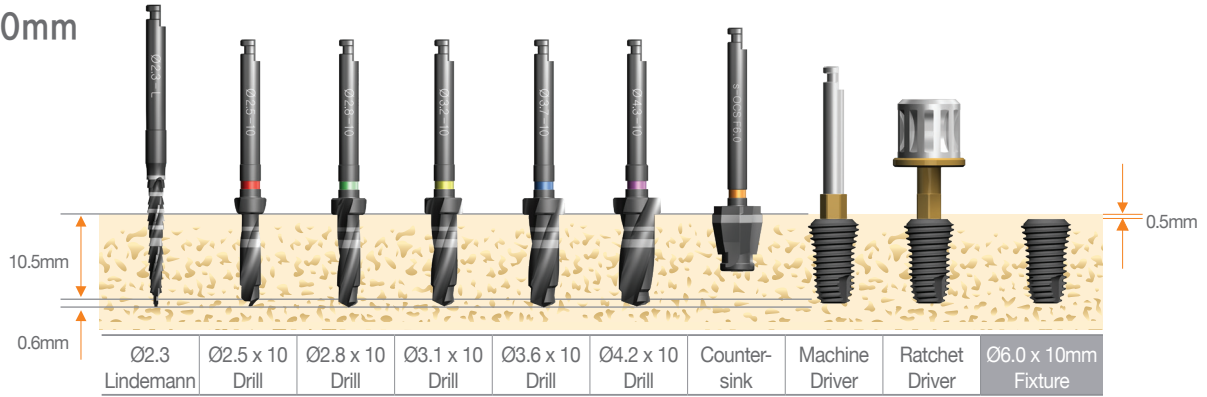


Ø5.2 x 10mm

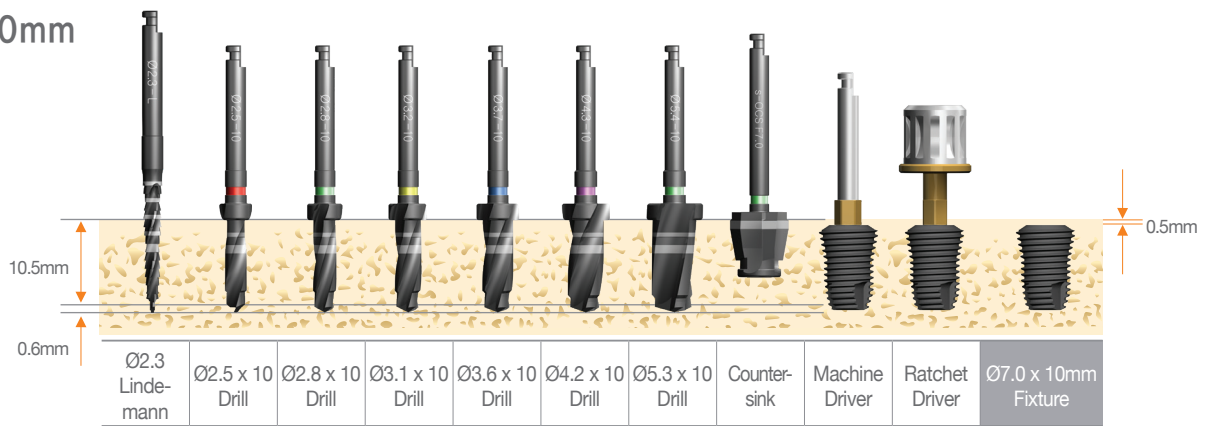




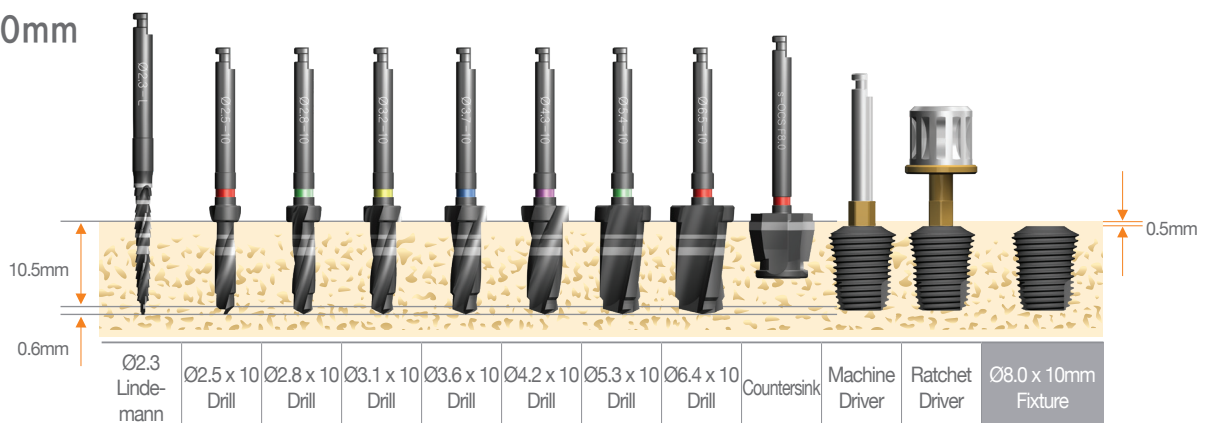
Ø6.0 x 10mm



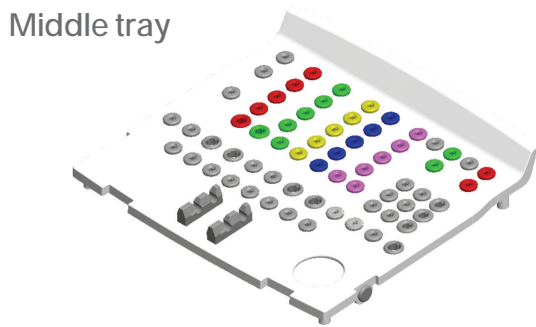
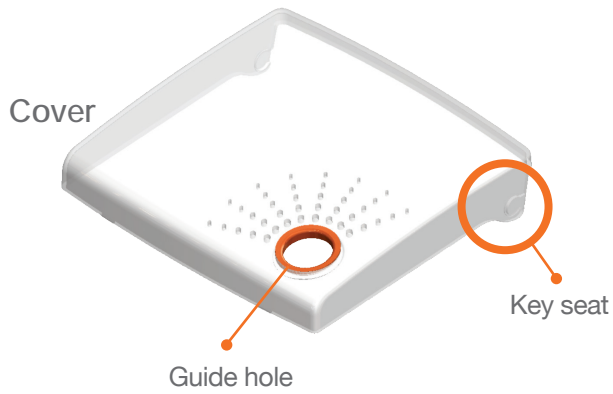
Ø7.0 x 10mm



Ø8.0 x 10mm



Surgical Kit Instruction



SEPARATION



Please raise the cover with finger in the guide hole.



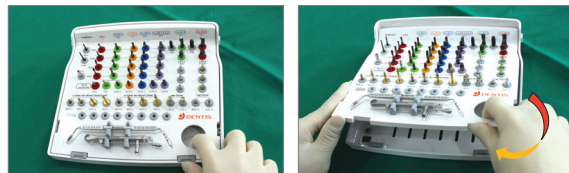
After raising the cover at a right angle, please separate it.

ASSEMBLING



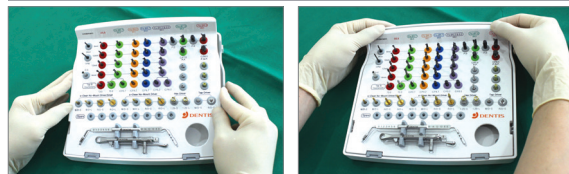
After raising the cover at a right angle, please assemble it with a key seat properly.

REMOVAL



Please raise the middle tray with finger in the guide hole as following this arrow.

ASSEMBLING



The lower part of middle tray is inserted first, and please press the upper part.

OneQ-SL Premium Surgical Kit

DLIND23L
DLIND23S
Option

DPD

DDE

DOTD2508 DOTD2808 DOTD3108 DOTD3608 DOTD4208 DOTD5312
DOTD2510 DOTD2810 DOTD3110 DOTD3610 DOTD4210 DOTD6412
DOTD2512 DOTD2812 DOTD3112 DOTD3612 DOTD4212 DSPD57
DOTD2514 DOTD2814 DOTD3114 DOTD3614 DOTD4214 Option

Fixture
Ø3.0, 3.3 Only

DSOFST30 DSOFST33

DSOCS39 DSOCS60
DSOCS42 DSOCS70
DSOCS47 DSOCS80
DSOCS52 Option

Lindemann Drill **Point Drill** **Drill Extension** **OneQ straight Twist Drill** **OneQ Surgical Tap** **OneQ Countersink**

Probe Depth Gauge

DPDG

Torque Ratchet

DTR

Code - DSOK

s-Clean No-Mount Driver & Ratchet Driver

DSNDSS DSRDSS
DSNDSL DSRDSL
Option Option

s-Clean No-Mount Driver & Ratchet Driver

DSNDS DRMDSS
DSNDL DRMDSL

Hex Driver

DRHDS125 DRHDL125

Tap Driver

DMHD24 DRHDS24
Option Option

Path Guide Pin for s-Clean Fixture

DSPGPM DSPGPR

Parallel Pin for Drill

DPPD

OneQ-SL Kit

DLIND23L **DPD** **DDE**

DTD2208 DTD2508 DOTD2808 DOTD3108 DOTD3608 DOTD4208
DTD2210 DTD2510 DOTD2810 DOTD3110 DOTD3610 DOTD4210
DTD2212 DTD2512 DOTD2812 DOTD3112 DOTD3612 DOTD4212
DTD2214 DTD2514 DOTD2814 DOTD3114 DOTD3614

DSOFST30 **DSOCS37** **DSOCS47**
DSOFST33 **DSOCS39** **DSOCS52**
DSOCS42 **DSOCS60**

Option

Fixture
Ø3.0, 3.3 Only

Lindemann Drill **Point Drill** **Drill Extension** **OneQ straight Twist Drill** **OneQ Surgical Tap** **OneQ Straight Countersink**

Probe Depth Gauge

DPDG

Code - DSOKU

Torque Ratchet

DTR

s-Clean No-Mount Driver & Ratchet Driver **s-Clean No-Mount Driver & Ratchet Driver** **Hex Driver** **Tap Driver** **Path Guide Pin for s-Clean Fixture** **Parallel Pin for Drill**

DSNDSS **DSRDSS**
DSNDSL **DSRDSL**

DSNDS **DRMDSS**
DSNDL **DRMDSL**

DRHDS125
DRHDL125

DMHDS24 **DRHDS24**

DSPGPS **DSPGPR**

DPPD