



DENTIS | www.dentis.co.kr | www.dentisusa.com



Tel. +82-53-583-2804 | Fax. +82-53-583-2806
99, Seongseoseo-Ro, Dalseo-Gu, Daegu, Korea



Tel. +1-323-677-4363 | Fax. +1-323-677-4366
11095 Knott Ave. ABC, Cypress CA 90630



Tel. +021-5111-3828 | Fax. +021-5111-3828
上海市长宁区中山西路933号2205室



Tel. +34 91 072 62 27 | <https://dentiseurope.com/>
Travesía C. Doctor Fleming, 16

All information published in this paper is subject to change according to policy without prior notice.
Copyright © DENTIS Co., LTD.

Dentis Official SNS

INSTAGRAM
[instagram.com/dentis_official](https://www.instagram.com/dentis_official)
[instagram.com/dentis_usa/](https://www.instagram.com/dentis_usa/)

FACEBOOK
[facebook.com/dentisofficial](https://www.facebook.com/dentisofficial)
[facebook.com/dentisusa/](https://www.facebook.com/dentisusa/)

YOUTUBE
[youtube.com/@dentiskorea](https://www.youtube.com/@dentiskorea)
[youtube.com/@dentis_usa295](https://www.youtube.com/@dentis_usa295)

Inquiries | 1899-2804



LUVIS CHAIR

'LUVIS' The Excellence





**Global Standard,
LUVIS**

LUVIS - The Brand

LUVIS, a globally recognized brand with a presence in over 80 countries, proudly holds the title of South Korea's top-selling and unrivaled shadow-less surgical light brand. We are excited to announce the launch of the LUVIS CHAIR, a unit chair that represents the culmination of 15 years of extensive research and development. This innovation is backed by a wealth of clinical data and insights, making it a truly remarkable addition to our product lineup.



The **LUVIS CHAIR**, featuring ergonomic design, is versatile enough to accommodate a range of clinical settings, benefiting both practitioners and patients. This integrated chair, equipped with unparalleled **technologies**, is not only dedicated to ensuring patient **comfort** and **safety** but also focuses on enhancing clinician convenience and aesthetic appeal.



DENTIS

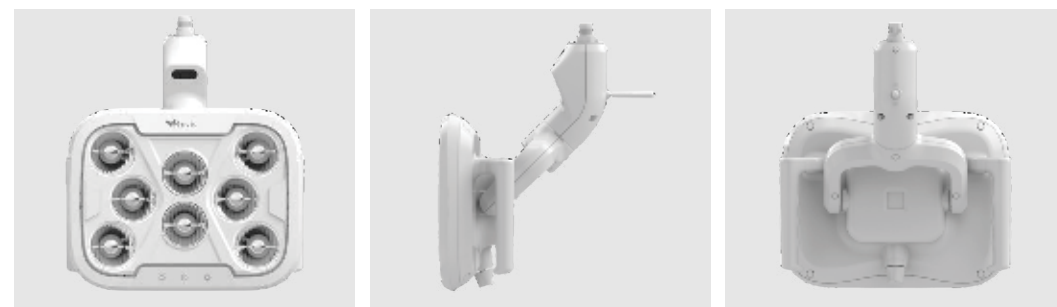
LUVIS CHAIR

Sophisticated
and
Strong

Technology



The Hybrid LED System integrated into the LUVIS Light not only conserves energy and minimizes heat emissions but also offers multiple functions. These functions include the ability to control variations in color temperature and light pattern size, enabling precise evaluations and diagnoses for each distinct and unique case.



LUVIS LIGHT C700

A medical light equipped in **LUVIS CHAIR C Class**.

With an impressive illumination level of 50,000 lx and broad optical patterns, the LUVIS Light effectively minimizes shadowing and achieves a high Ra value of 95 or more in Color Rendering Index (CRI). This not only reduces eye fatigue during treatment but also enhances accuracy.

Additionally, it offers practical features including a resin mode, a proximity sensor switch, and detachable handles, all designed with infection control measures in mind to prevent cross-infection.

**In the color rendering index (CRI) value, Ra means average color rendering and the CRI of natural light is



LUVIS LIGHT C500 CAMERA

A medical treatment light equipped in **LUVIS CHAIR E Class**. C500 boasts a remarkable set of features. It achieves a high Ra value of 95 or more, offers three color temperatures with excellent Color rendering Index (CRI), and provides an impressive illumination of 50,000lx. Notably, the built-in Full High-Definition (FHD) highresolution camera enables crystal-clear and precise video recording and playback of treatment procedures. This feature proves exceptionally convenient for patient counseling and communication.

*High Quality (FHD, Full High Definition)



LUVIS LIGHT S300

An operating light equipped additionally with C700 in **LUVIS CHAIR S Class**. S 300 offers an impressive brightness of 130,000lx, delivering an exceptional shadow-less effect. With its high color rendering capability (Ra: 95 / R9: 96), it minimizes eye fatigue during surgery and allows practitioners to easily distinguish periodontal tissue from blood. Additionally, the intuitive control panel for accessing features and menus ensures user-friendly operation of the light.

*In the color rendering index (CRI) value, R9 means the reproduction value of the red index.

Comfort

The generously sized backrest, designed to offer comprehensive support for the entire body, guarantees patient comfort and effectively reduces fatigue during extended procedures.



Z-type Vertical Operation

The design is meticulously tailored to cater to various patient conditions, ensuring easier access and release, while also allowing for precise adjustment of chair heights to accommodate different types of operations and suit the preferences of individual practitioners.



Tilting Function

The segmented movements of the chair's backrest and seat effectively prevent slippage and ensure that patients maintain a consistently comfortable position during the reclining of the chair.

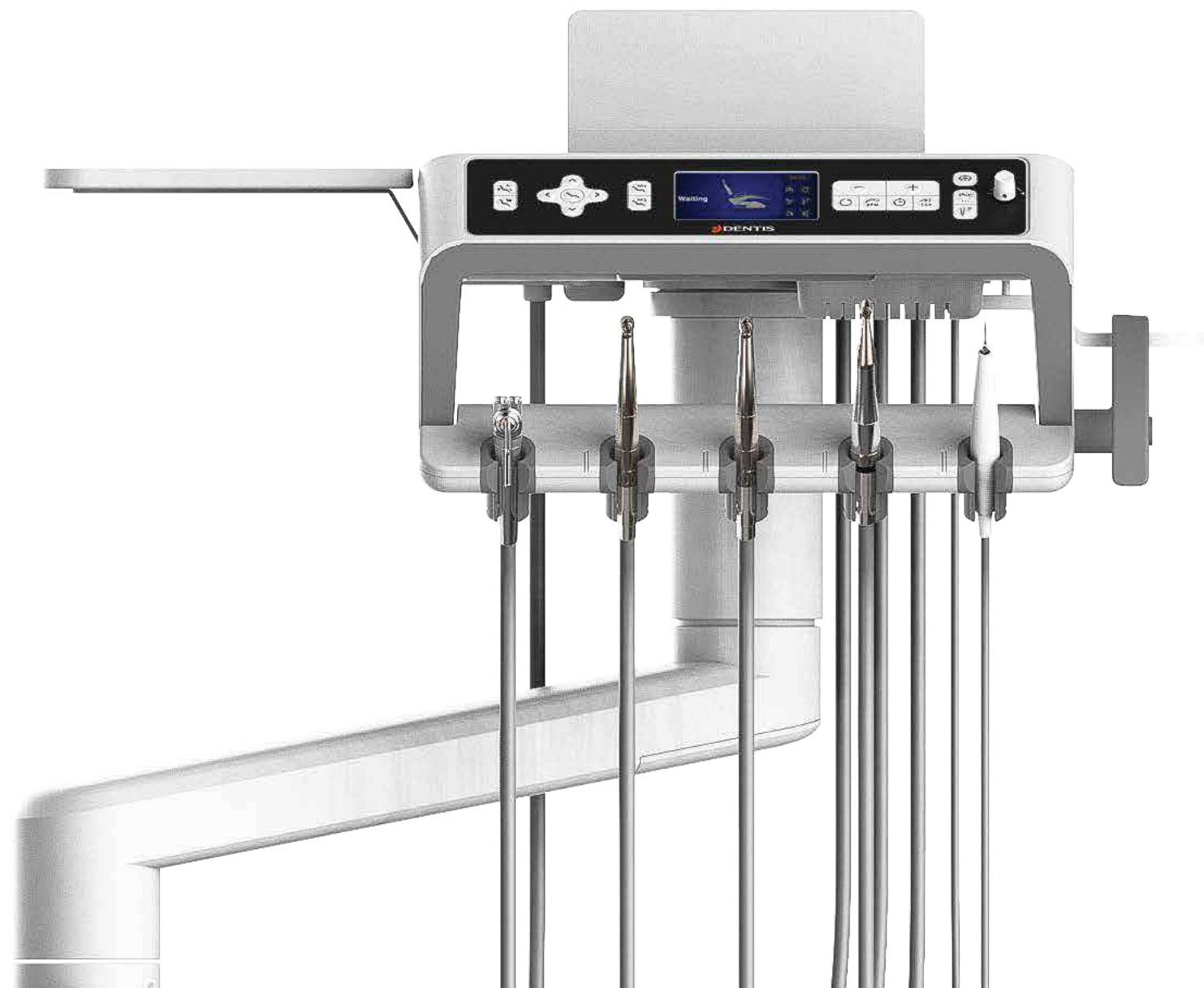


2-joint Headrest

Thanks to a range of angle adjustments, our chair accommodates patients of all sizes, including adults, children, and individuals with disabilities, ensuring that they can all receive treatment comfortably and securely in a stable position.

Convenience

Thoughtfully designed to offer a more convenient and functional experience for practitioners



Intuitive User Interface

The menu buttons for chair operation are thoughtfully organized for intuitive and user-friendly use.



Wide (Extended) Doctor Table

The addition of an extendable doctor's table enhances the practitioner's ability to perform procedures smoothly and efficiently by reducing instrument clutter and improving instrument visibility.



Motorized Height Adjustment

An electric motor, situated at the base of the table, enables convenient and stable height adjustments for the table, even when dealing with heavy loads.

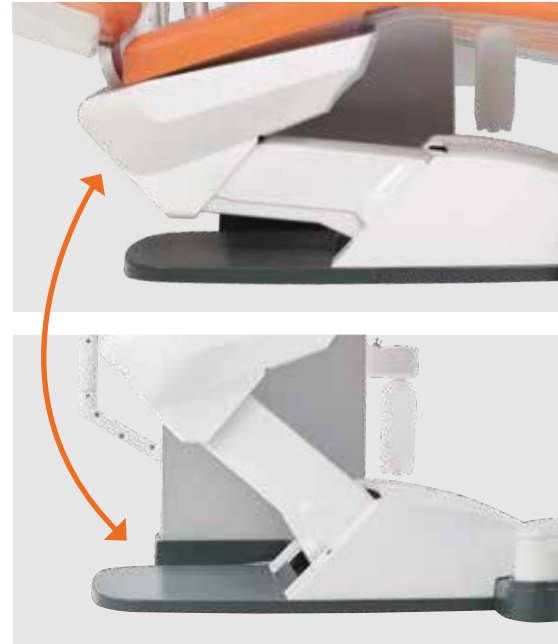
Safety

Designed to prevent various accidents that may occur during treatments.



Smart Instrument Holder

The instrument holder's angle can be adjusted to the user's preference, thereby preventing accidental stabbings and ensuring safe treatment.



Obstacle Sensor System

In the event of an object being detected underneath the chair while it is lowering, the chair will automatically halt its descent and rise to prevent any potential accidents.



Pain Notification Button

Strategically positioned beneath the handle, this feature allows patients to readily communicate their discomfort without causing any disruption or hindrance to ongoing procedures.

Optional Features



Rotatable Spittoon

The rotating cuspidor enhances patient comfort during gargling. Additionally, a safety mode activates when the patient pulls the cuspidor, instantly stopping the chair's movement to prevent accidents.



Odor Backflow Prevention System

Foul odors will be effectively contained to maintain a clean and hygienic environment for treatments.

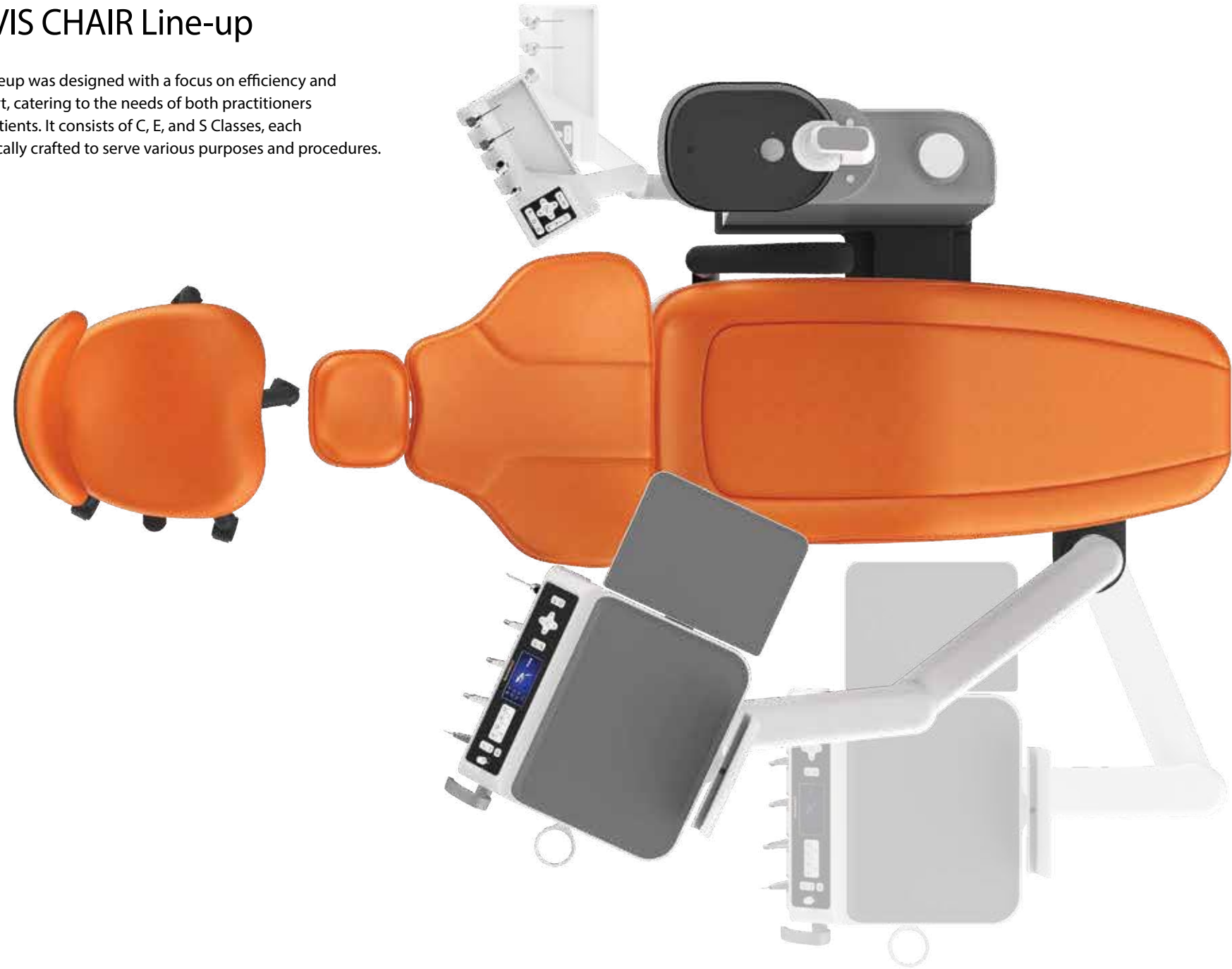


Washable Suction Filter

The washable filter is a superb feature for maintaining hygiene and cleanliness.

LUVIS CHAIR Line-up

The lineup was designed with a focus on efficiency and comfort, catering to the needs of both practitioners and patients. It consists of C, E, and S Classes, each specifically crafted to serve various purposes and procedures.



C Class

"C" stands for CLINIIC

This is the standard model of the LUVIS CHAIR, complete with the LUVIS C700 surgical light, offering essential functions tailored to meet the requirements of general dental clinics.



E Class

“E” stands for EXAMINATION

Featuring the LUVIS C500 CAMERA, this chair allows for video recording and playback of procedures and examinations, facilitating improved communication and clear consultations with patients. Moreover, it enables the creation of video clinical data for enhanced documentation and analysis.



S Class

“S” stands for SURGERY

This top-of-the-line LUVIS CHAIR model boasts a double cushion seat and is equipped with dual operating lights, among other premium features. The dual light system, comprising the LUVIS C700 and S300, is meticulously designed to enhance the surgical environment by delivering outstanding color rendering and an impeccable shadowless light effect.



Specifications

basic	●
additional items	○

Parts	C Class		E Class		S Class		
Light	1	LUVIS LIGHT C700 ●	1	LUVIS LIGHT C700 ○	1	LUVIS LIGHT C700 ●	
	2	LUVIS LIGHT C500 CAMERA ○	2	LUVIS LIGHT C500 CAMERA ●	2	LUVIS LIGHT C500 CAMERA ○	
	3	LUVIS LIGHT S300 ○	3	LUVIS LIGHT S300 ○	3	LUVIS LIGHT S300 ●	
Unit Chair	4	Doctor Table ●	4	Doctor Table ●	4	Doctor Table ●	
	5	Assist Table ●	5	Assist Table ●	5	Assist Table ●	
	6	Monitor Arm ●	6	Monitor Arm ●	6	Monitor Arm ●	
	7	Cesspit Hanger ●	7	Cesspit Hanger ●	7	Cesspit Hanger ●	
	8	Compact Console ●	8	Compact Console ●	8	Compact Console ●	
	9	Chart Stand ●	9	Chart Stand ●	9	Chart Stand ●	
	10	Double Cushion Seat ○	10	Double Cushion Seat ○	10	Double Cushion Seat ●	
	11	Instrument hot water system ○	11	Instrument hot water system ○	11	Instrument hot water system ●	
	12	Dry Air Syringe ○	12	Dry Air Syringe ○	12	Dry Air Syringe ●	
	13	Water Pipe Washing System ○	13	Water Pipe Washing System ○	13	Water Pipe Washing System ○	
	14	Odor Backflow Prevention Trap ○	14	Odor Backflow Prevention Trap ○	14	Odor Backflow Prevention Trap ○	
	15	Helper System ○	15	Helper System ○	15	Helper System ○	
	Handpiece	16	High Speed 1: Optional ○	16	High Speed 1: Optional ○	16	High Speed 1: Optional ○
		17	High Speed 2 :Optional ○	17	High Speed 2 :Optional ○	17	High Speed 2 :Optional ○
		18	Low Speed: Optional ○	18	Low Speed: Optional ○	18	Low Speed: Optional ○
19		Scaler: Dmetec Compact S ○	19	Scaler: Dmetec Compact S ○	19	Scaler: Dmetec Compact S ○	
Stool	20	Doctor Stool ○	20	Doctor Stool ○	20	Doctor Stool ○	
	21	Assist stool ○	21	Assist stool ○	21	Assist stool ○	

Standard



compact console



monitor arm



doctor stool

Option



auxiliary stool



water pipe washing system



monitor 27"



43" monitor (including stand)



dry air syringe



instrument hot water system



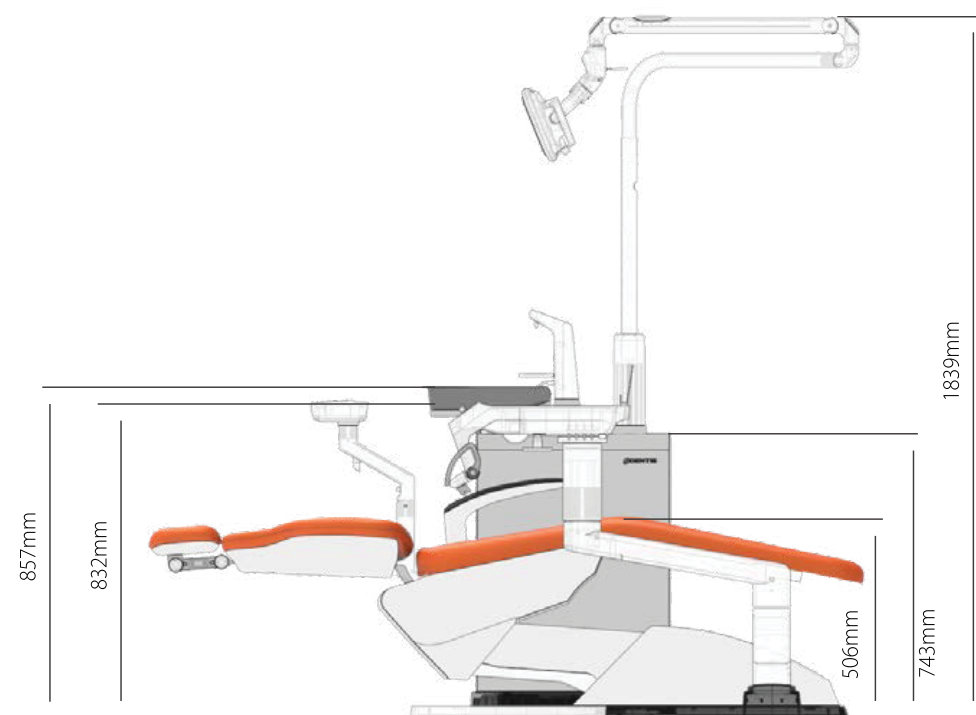
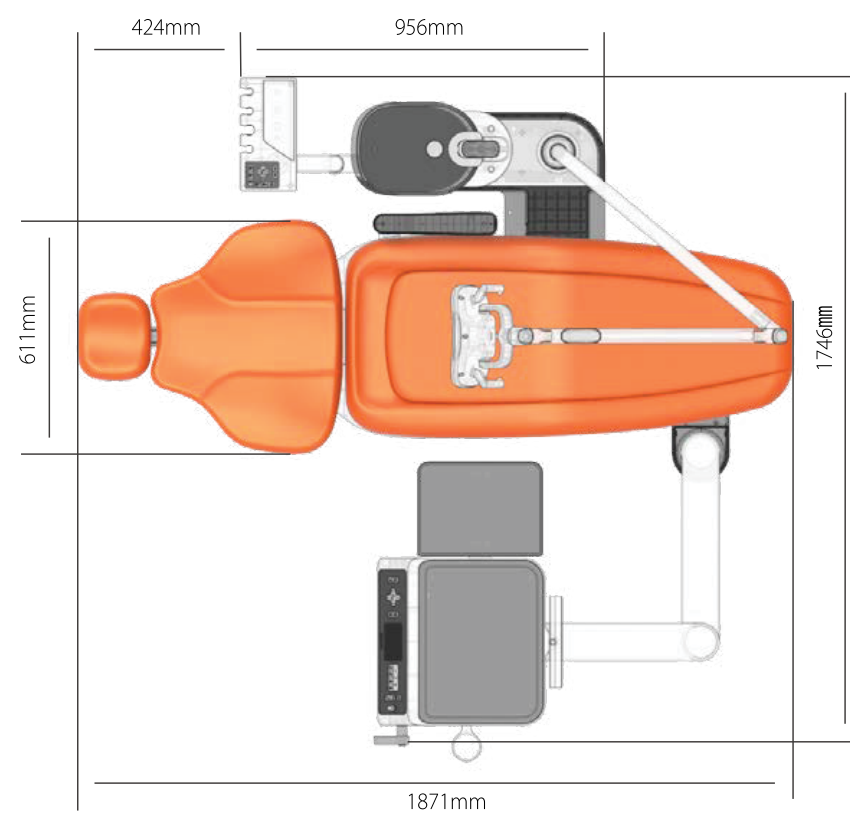
helper system



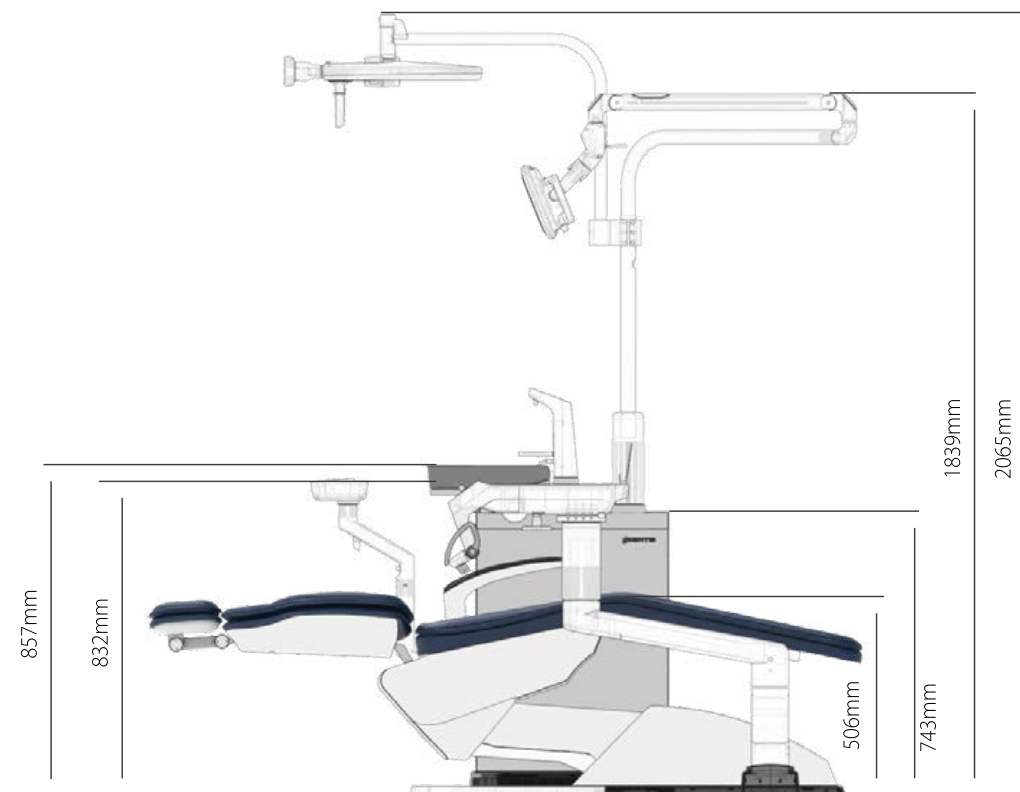
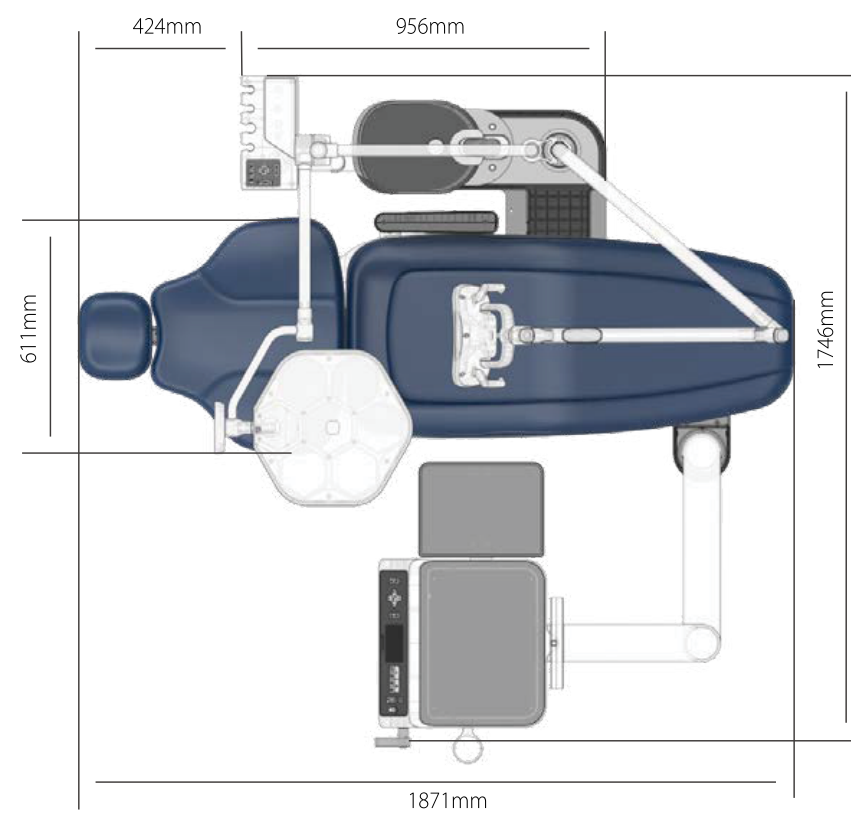
double cushion sheet

Dimension

CClass/EClass



SClass



Colors



Orange



DarkBrown



SkyBlue



DarkBlue



Red



DarkViolet



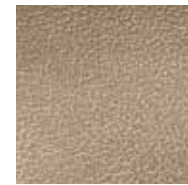
LightGreen



Blue



Cream



Gold



Black

LUVIS CHAIR

'LUVIS' The Excellence

